

P3 PowerPort 1000 IP Rental

OUTDOOR POWER & DATA UNIT FOR MARTIN CREATIVE LED

SPEC SHEET

HIGHLIGHTS

- Power and data processor for all Martin's rental market creative LED video products
- Flexible integration: can be located remotely, indoors or outdoors
- Easy cabling and configuration



OVERVIEW

The P3 PowerPort 1000 IP Rental is an integrated power supply and data processor for Martin's rental range of creative LED video products, including the VDO Scepter™, VDO Fatron™, VDO Dotron™ and VC-Dots™. When driven by one of Martin's award-winning P3™ System Controllers™, it combines stable power delivery with high-speed, high-capacity video processing. Setup and configuration are easy and intuitive. A full outdoor rating with robust IP65-rated connectors make the product perfect for outdoor rental installations.

KEY MESSAGES

EASY CABLING

The P3 PowerPort connects with the Creative LED fixtures using a single cable that carries both power and data, greatly simplifying the installation.

AUTOMATIC SETUP

There is no need to configure any IP address or settings on the P3 PowerPort. All setup and configuration is done automatically from the Martin P3 System Controller.

SIMPLE CONTROL INTERFACE

A single push-button allows for easy and fast local testing and diagnostics of the connected fixtures. The control interface also includes status LEDs for power and data for each of the four outputs.

ROBUST HOUSING

The P3 PowerPort 1000 IP Rental comes in a robust IP65-rated waterproof housing which can be trussmounted or freestanding.

P3 PowerPort 1000 IP Rental

OUTDOOR POWER & DATA UNIT FOR MARTIN CREATIVE LED

SPEC SHEET

FEATURES

- P3 image processing technology
- Set-up and addressing via P3 System Controller family
- No local configuration needed
- P3 input and thru to allow daisy-chaining
- 4 hybrid power/data output ports
- Truss-mountable or free-standing
- Can be located up to 50 m away from the creative LED video products
- IP65 rated

ORDERING INFORMATION

- Martin P3 PowerPort 1000 IP™, Rental Model..... P/N 90721070

RELATED ITEMS

- Martin P3-150™ System Controller..... P/N 90721015
- Martin P3-300™ System Controller..... P/N 90721060
- Martin P3-PC™ System Controller.... Free download at martin.com

ACCESSORIES

Power connectors:

- Cable Connector, Neutrik PowerCON TRUE1 NAC3FX-W (female)..... P/N 91611789

Power cable:

- Power Input Cable, H07RN-F, 2.5 mm², bare ends to TRUE1, 1.5 m (4.9 ft.)..... P/N 91611797
- Power Input Cable, H07RN-F, 2.5 mm², bare ends to TRUE1, 5 m (16.4 ft.)..... P/N 91611786
- Power Input Cable, SJ00W, 12 AWG, bare ends to TRUE1, 1.5 m (4.9 ft.)..... P/N 91610173
- Power Input Cable, SJ00W, 12 AWG, bare ends to TRUE1, 5 m (16.4 ft.)..... P/N 91610174

Data cable:

- Data Cable, Cat 6 EtherCON-EtherCON 0.45 m (1.4 ft.)..... P/N 91611781
- Data Cable, Cat 6 EtherCON-EtherCON 1.2 m (3.9 ft.)..... P/N 91611782
- Data Cable, Cat 6 EtherCON-EtherCON 5 m (16.4 ft.)..... P/N 91611783
- Data Connector, Cat 6 EtherCON P/N 91611787

Adapters for connecting to legacy VC-Dot cables:

- Power+Data Adapter M16-BBD 0.25 m (9.8 in.)..... P/N 91616053
- Power+Data Adapter BBD-M16 0.25 m (9.8 in.)..... P/N 91616054

Rigging hardware:

- G-clamp P/N 91602003
- Half-coupler clamp..... P/N 91602005
- Quick trigger clamp..... P/N 91602007
- Safety Cable, SWL 60 kg, BGV C1 / DGUV 17, black.. P/N 91604006
- Safety Cable, SWL 60 kg, BGV C1 / DGUV 17, silver.. P/N 91604007



P3 PowerPort 1000 IP Rental

OUTDOOR POWER & DATA UNIT FOR MARTIN CREATIVE LED

SPEC SHEET

TECHNICAL SPECIFICATIONS

CONTROL AND PROGRAMMING

Addressing and status..... Via P3 System Controller
Mapping Via P3 System Controller
Firmware update Via P3 System Controller

CONTROL/USER INTERFACE

Device status..... Multicolor status LED
Power output status Four LEDs
Data output status Four LEDs
Device test and reset..... Pushbutton to call up local test patterns and reset device

Status LEDs and pushbutton can be disabled remotely if required.

P3 SIGNAL PROTOCOL

Signal type Gigabit Ethernet
Protocol..... Proprietary Martin P3
Hot pluggable Yes, electrically isolated at all connections
Cable type Ethernet, CAT 5e or better
Cable length..... Up to 100 m (328 ft.) between any 2 devices, extendable with Ethernet switch or conversion to fiber

SYSTEM INTEGRATION

VDO Sceptron™
VDO Patron™
VDO Dotron™
VC-Dot™ family via VC-Feeder™
VC-Grid™ family
VC-Strip™ family
Exterior PixLine™ family
Exterior Dot-HP™ family

CONSTRUCTION

Housing Aluminum
Color..... Matte black
Protection rating..... IP65
NEMA enclosure rating Type 3
Effective Projected Area (EPA)..... 0.22 m²
RoHS compliant

INSTALLATION

Mounting Flown from rigging clamps or free-standing
Orientation..... Any, except with connectors facing up or lid facing down

CONNECTIONS

Power input..... Neutrik PowerCON TRUE1
P3 data in/out Neutrik EtherCON Cat 6
Combined power & data out..... Four 6-pin custom (BBD) IP66-rated sockets

ELECTRICAL

AC power..... 120-240 V nominal, 50/60 Hz
Power supply unit Auto-ranging electronic switch-mode
Typical total power consumption..... 1000 W (including full load of connected display devices, all at full intensity)
Typical half-cycle RMS inrush current..... 20.9 A (At 230 V, 50 Hz)
Total power consumption in idle state (at 25° C, all connected devices powered off)..... 22 W

THERMAL

Cooling Convection
Maximum ambient temperature (Ta max.) 55° C
Minimum ambient temperature (Ta min.) -30° C
Total heat dissipation (calculated, +/- 10%) 345 BTU/hr. (not including display devices but with system at full load)

APPROVALS

EU safety..... EN 60950
EU EMC EN 55032, EN 55103-2, EN 55022, EN 55024, EN 61000-3-2, EN 61000-3-3
US safety..... ANSI/UL 60950-1
Canadian safety CSA C22.2 No. 60950-1



P3 PowerPort 1000 IP Rental

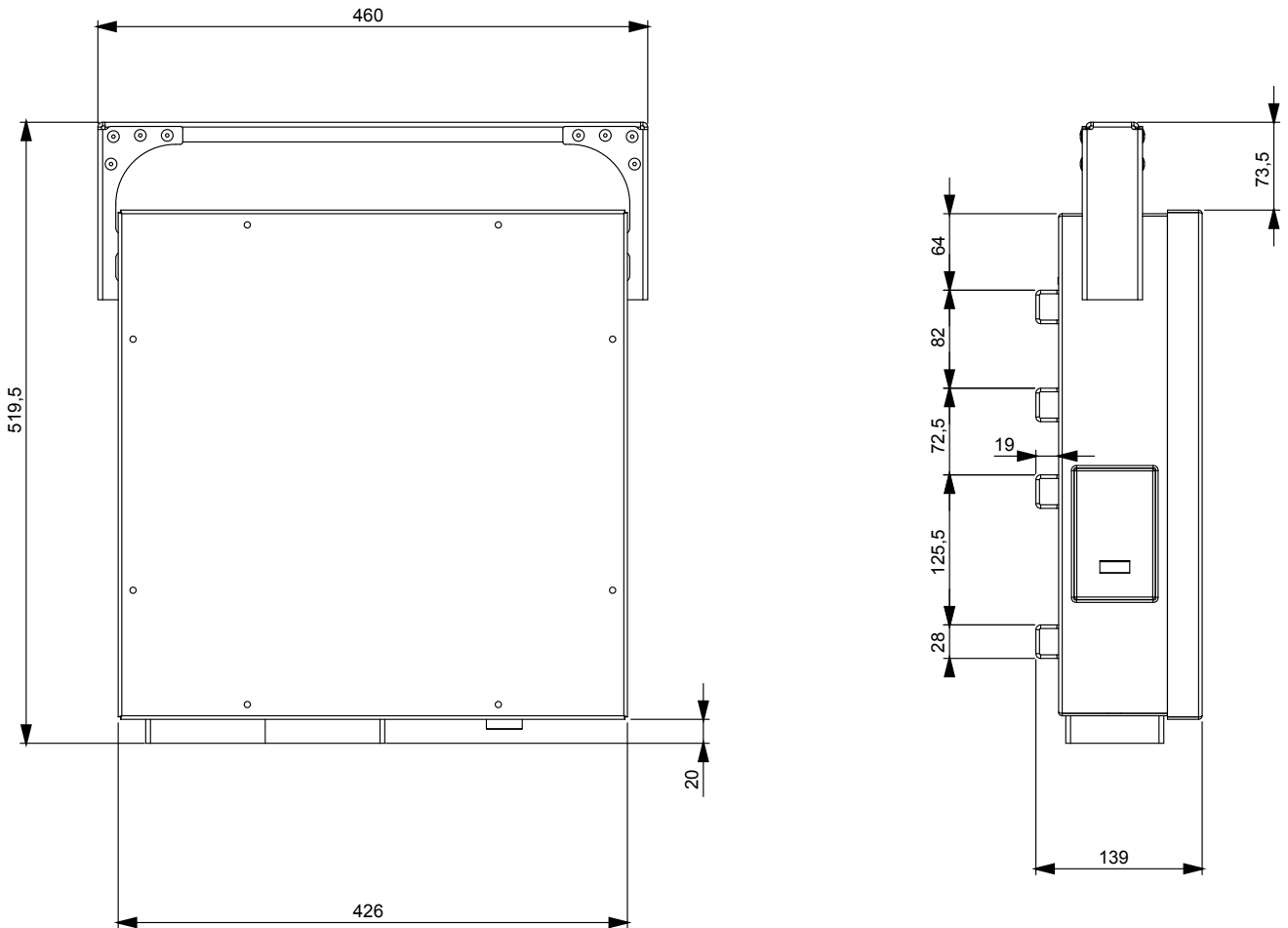
OUTDOOR POWER & DATA UNIT FOR MARTIN CREATIVE LED

SPEC SHEET

DIMENSIONS

PHYSICAL

Length..... 520 mm (20.5 in.)
Width..... 460 mm (18.2 in.)
Height..... 146 mm (5.8 in.)
Weight..... 8.5 kg (18.8 lbs.)



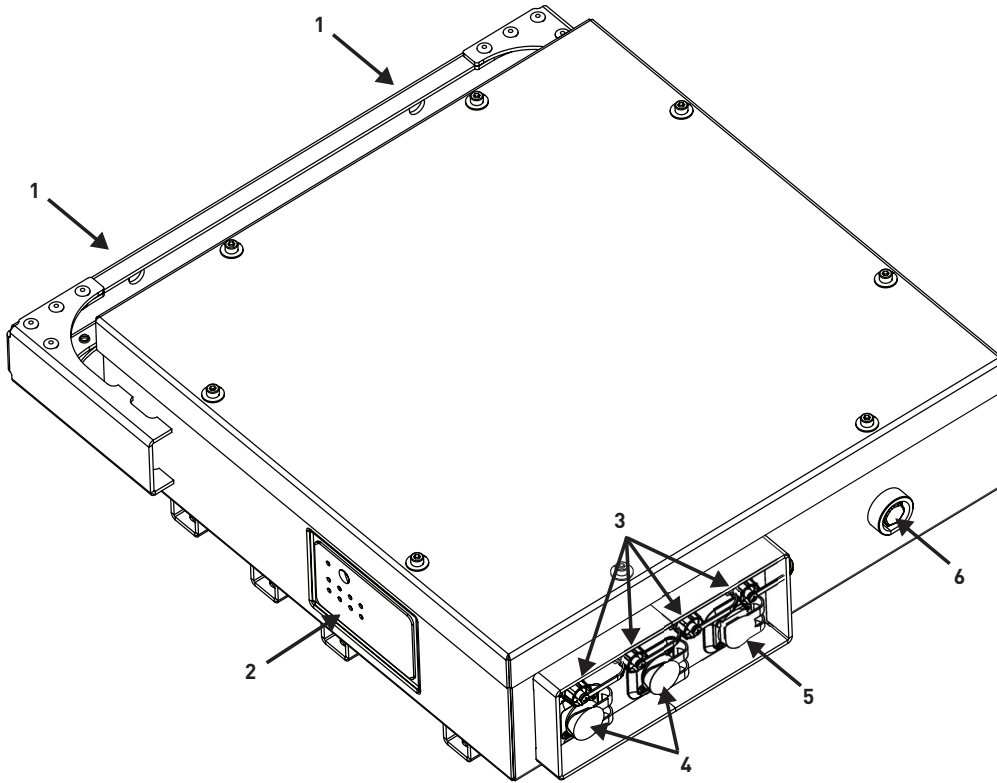
All dimensions are in mm

P3 PowerPort 1000 IP Rental

OUTDOOR POWER & DATA UNIT FOR MARTIN CREATIVE LED




SPEC SHEET

PARTS OVERVIEW



- 1. clamp attachment points
- 2. display panel
- 3. hybrid power and data outputs
- 4. P3 data input/through sockets
- 5. AC mains input socket
- 6. pressure relief valve

POWERPORT COMPARISON

	Indoor	Outdoor
P3 Control	P3 PowerPort 1500 (4x360W) 	P3 PowerPort 1000 IP (4x240W) 
DMX Control	DMX PowerPort 375 (1x360W) 	IP66 PSU 240W (1x240W) 