

# P3 PowerPort 1500

INDOOR POWER & DATA UNIT FOR MARTIN CREATIVE LED

SPEC SHEET

## HIGHLIGHTS

- Indoor power and data processor for all Martin creative LED video products
- Flexible integration: can be located remotely from video display products
- Easy cabling and configuration



## OVERVIEW

The P3 PowerPort 1500 is an integrated power supply and data processor for the Martin™ range of creative LED video products, including the VDO Sceptron™, VDO Fatron™, VDO Dotron™, Exterior PixLines™, VC-Grids™, VC-Strips™ and VC-Dots™. When driven by one of Martin's award-winning P3™ System Controllers, it combines stable power delivery with high-speed, high-capacity video processing. Setup and configuration are easy and intuitive.

## KEY MESSAGES

### EASY CABLING

The P3 PowerPort connects with the Creative LED fixtures using a single cable that carries both power and data, greatly simplifying the installation.

### AUTOMATIC SETUP

There is no need to configure any IP address or settings on the P3 PowerPort. All setup and configuration is done automatically from the Martin P3 System Controller.

### SIMPLE CONTROL INTERFACE

A single push-button allows for easy and fast local testing and diagnostics of the connected fixtures. The control interface also includes status LEDs for power and data for each of the four outputs.

### VERSATILE HOUSING

The P3 PowerPort 1500's housing allows rackmount, wallmount and trussmount installation of the unit. So you can place the unit where it suits you best.

# P3 PowerPort 1500

INDOOR POWER & DATA UNIT FOR MARTIN CREATIVE LED

SPEC SHEET

## FEATURES

- P3 image processing technology
- Set-up and addressing via P3 System Controller family
- P3 input and thru to allow daisy-chaining
- 4 hybrid power/data output ports
- Wall-, truss- and rack-mountable
- Can be located up to 50 m away from the creative LED video products

## ORDERING INFORMATION

- Martin P3 PowerPort 1500™ ..... P/N 90721040

### INCLUDED ITEMS

- Mounting brackets incl. screws
- Safety cable attachment eyelet
- Please note that a power input cable is not supplied with the product and must be ordered separately (see Accessories)

### RELATED ITEMS

- Martin P3-050™ System Controller..... P/N 90721090
- Martin P3-150™ System Controller..... P/N 90721015
- Martin P3-300™ System Controller..... P/N 90721060
- Martin P3-PC™ System Controller.... Free download at martin.com

## ACCESSORIES

### Air Filters:

- Air Filters 60x60, Set of 10 ..... P/N 50404543

### Power Input Cables:

- Power input cable 3 x 2.5 mm<sup>2</sup>, H07RN-F bare ends to powerCON 1.5 m (4.9 ft.) ..... P/N 91611800
- Power input cable 3 x 14 AWG, SJ00W bare ends to powerCON 1.5 m (4.9 ft.) ..... P/N 91610177
- Power input cable 3 x 2.5 mm<sup>2</sup>, H07RN-F bare ends to powerCON 5.0 m (16.4 ft.) ..... P/N 91611801
- Power input cable 3 x 14 AWG, SJ00W bare ends to powerCON 5.0 m (16.4 ft.) ..... P/N 91610178

### Power Input Connector:

- Power Connector PowerCON Female ..... P/N 91611794

### Rigging hardware:

- G-clamp ..... P/N 91602003
- Half-coupler clamp..... P/N 91602005
- Quick trigger clamp..... P/N 91602007
- Safety Cable, SWL 60 kg, BGV C1 / DGUV 17, black ..... P/N 91604006
- Safety Cable, SWL 60 kg, BGV C1 / DGUV 17, silver ..... P/N 91604007

# P3 PowerPort 1500

INDOOR POWER & DATA UNIT FOR MARTIN CREATIVE LED

SPEC SHEET

## TECHNICAL SPECIFICATIONS

### CONTROL AND PROGRAMMING

Addressing and status..... Via P3 System Controller  
Mapping ..... Via P3 System Controller  
Firmware update ..... Via P3 System Controller

### CONTROL/USER INTERFACE

Device status..... Multicolor status LED  
Power output status ..... Four LEDs  
Data output status ..... Four LEDs  
Device test and reset..... Pushbutton to call up local test patterns and reset device

### P3 SIGNAL PROTOCOL

Signal type ..... Gigabit Ethernet  
Protocol..... Proprietary Martin P3  
Hot pluggable ..... Yes, electrically isolated at all connections  
Cable type ..... Ethernet, CAT 5e or better  
Cable length..... Up to 100 m between any 2 devices, extendable with Ethernet switch

### SYSTEM INTEGRATION

VDO Sceptron™  
VDO Fatron™  
VDO Dotron™  
VC-Dot™ family via VC-Feeder™  
VC-Grid™ family  
VC-Strip™ family  
Exterior PixLine™ family  
Exterior Dot-HP™ family

### CONSTRUCTION

Housing ..... Steel and aluminum  
Color..... Matte black  
Protection rating..... IP20

### INSTALLATION

Mounting..... 19-inch rackmount, wall mount, flown from rigging clamps

### CONNECTIONS

Power input..... Neutrik PowerCon  
P3 data in/out ..... Two Neutrik Ethercon RJ-45 sockets  
Combined power & data out..... Four 4-pin female XLR sockets (hybrid power & data cable)

### ELECTRICAL

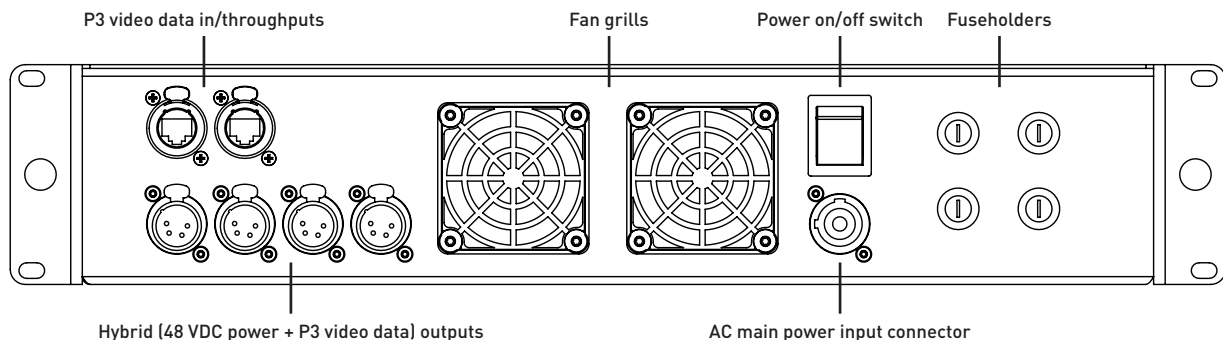
AC power..... 100-240 V nominal, 50/60 Hz  
Power supply unit ..... Auto-ranging electronic switch-mode  
Typical total power consumption ..... 1540 W (including full load of connected display devices, all at full intensity)  
Main fuse ..... 10 AT (slow blow) x 4

### THERMAL

Cooling ..... Filtered forced air (temperature-regulated, low noise)  
Maximum ambient temperature [Ta max.] ..... 45° C  
Minimum ambient temperature [Ta min.] ..... -20° C  
Total heat dissipation (calculated, +/- 10%) ..... 530 BTU/hr. (not including display devices but with system at full load)

### APPROVALS

EU safety..... EN 60950  
EU EMC ..... EN 55103-1, EN 55103-2, EN 55022, EN 55024, EN 61000-3-2, EN 61000-3-3  
US safety..... ANSI/UL 60950-1  
Canadian safety ..... CSA C22.2 No. 60950-1



# P3 PowerPort 1500

INDOOR POWER & DATA UNIT FOR MARTIN CREATIVE LED

SPEC SHEET

## DIMENSIONS

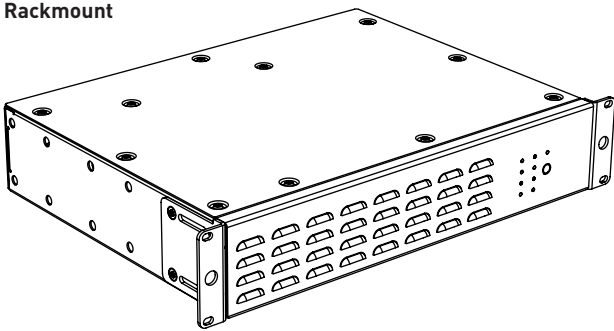
### PHYSICAL

Length.....482 mm (19.0 in.)  
 Width.....88 mm (3.5 in.) rackmount 2U

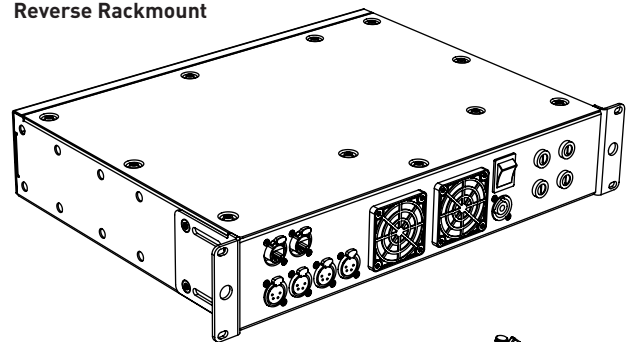
Height.....335 mm (13.2 in.)  
 Weight.....10 kg (22.1 lbs.)

## MOUNTING OPTIONS

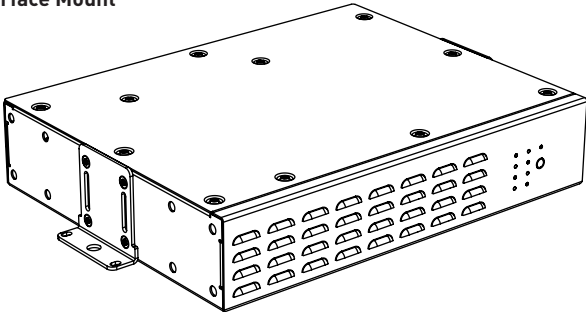
Rackmount



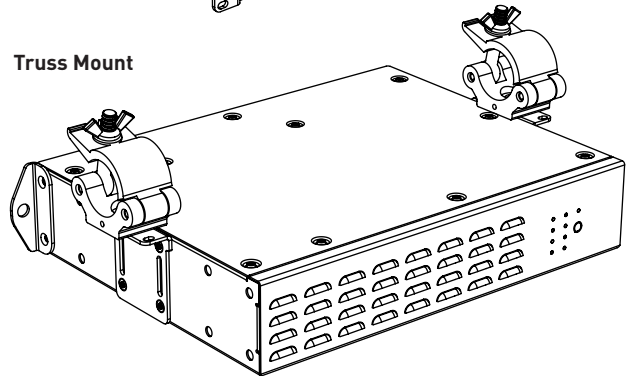
Reverse Rackmount






Surface Mount



Truss Mount



## POWERPORT COMPARISON

	Indoor	Outdoor
P3 Control	P3 PowerPort 1500 (4x360W) 	P3 PowerPort 1000 IP (4x240W) 
DMX Control	DMX PowerPort 375 (1x360W) 	IP66 PSU 240W (1x240W) 