

210*284mm 2019.12.4



RECHARGEABLE FAN

lifesmart® is a registered trademark of Supply Chain Sources LLC., All Rights Reserved.

Customer number:
FGD-12C



ATTACH YOUR RECEIPT HERE

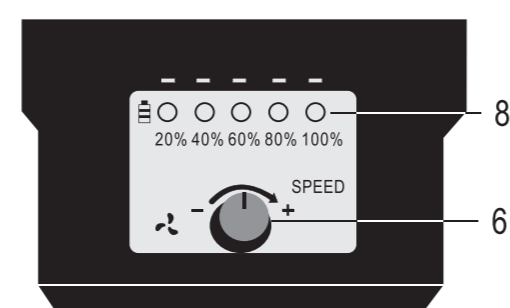
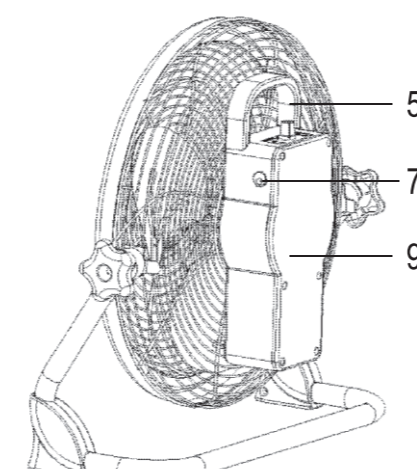
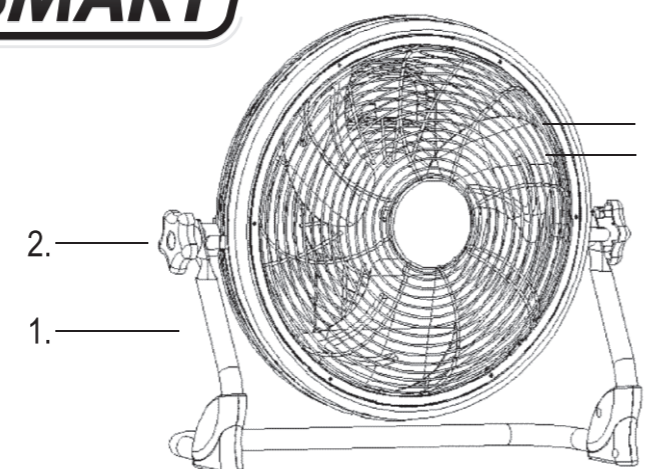
Purchase Date _____ Serial Number (located on back of unit) _____

Questions, problems, missing parts? Contact technical support department at 657-341-0362, 9:00 a.m. - 5 p.m., PST, Monday - Friday or visit us online at www.lifesmartcomfort.com
Please have your model and serial number ready



REV1-010620

1



EN

- stand
- angle adjusting screw
- protecting grille
- fan blade
- carrying handle
- fan speed dial
- charging socket for the adapter
- battery indicator LEDs
- electric motor and batteries
- USB charging socket

H

- állvány
- fejdőlésszög állító csavar
- védőrács
- ventilátor lapát
- hordfűl
- sebességszabályzó
- adapter töltőaljzat
- világító LED-sor
- motor és akkumulátorok
- USB töltőaljzat

SK

- stojan
- skrutka na nastavenje ugha sklonu
- ochranná mriežka
- virtuála ventilátora
- držiak
- regulátor rýchlosti
- nabíjacia zásuvka adaptéra
- svietiaci LED radok
- motor a akumulátory
- USB nabíjacia zásuvka

RO

- stativ
- șurub reglare unghi înclinare
- grilaj protecție
- paletă ventilator
- mâner
- reglaj viteză
- soclu încărcare adaptor
- șir LED-uri
- motor și acumulatori
- soclu încărcare USB

SRB MNE

- stalak
- šaraf za podešavanje nagiba
- zaštitna mrežica
- lopatice
- diska
- podešavanje brzine
- utičnica za strujni adapter
- LED indikator
- motor i akumulator
- USB utičnica za punjenje

CZ

- stojan
- šroub k nastavení úhlu sklonu
- ochranná mřížka
- lamela ventilátoru
- úchyt k přenášení
- regulace rychlosti otáčení
- zásuvka k nabíjení adaptéru
- řada světelných LED kontrolek
- motor a akumulátory
- USB zásuvka k nabíjení

HR BIH

- postojie
- vijak za podešavanje kuta
- zaštitna rešetka
- lopatice ventilatora
- ručka za nošenje
- regulator prekidači ventilatora
- utičnica za adapter
- LED indikator statusa baterije
- elektromotor i baterije
- USB utičnica za punjenje

PL

- stojak
- śrub regulacji kąta nachylenia glowicy
- kratka ochronna
- wiatrak wentylatora
- uchwyt do przenoszenia
- regulator prędkości
- gniazdo ładowania do przyłączenia zasilacza sieciowego
- rząd świecących diod LED
- silnik i akumulatory
- gniazdo ładowania USB

For technical support department call 657-341-0362, 9:00 a.m. - 5 p.m., PST, Monday - Friday.



EN

FGD-12C

Rechargeable floor fan

Before using the product for the first time, please read the instructions for use below and retain them for later reference. The original instructions were written in the Hungarian language.

This appliance may only be used by persons with impaired physical, sensory or mental capabilities, or lacking in experience or knowledge, as well as children from the age of 8, if they are under supervision or have been given instruction concerning use of the appliance by a person responsible for their safety and they have understood the hazards associated with use. Children should not be allowed to play with the unit. Children may only clean or perform user maintenance on the appliance under supervision.

WARNINGS AND PRECAUTIONS

- Make sure that the appliance has not been damaged in transit!
- Do not use in locations where flammable vapors or explosive dust may be present! Do not use near flammable materials or in potentially explosive atmospheres!
- Operate only under constant supervision!
- Do not operate unattended in the presence of children!
- Only use the supplied power cord for charging!
- Do not attempt to disassemble, open or hit the battery!
- Keep the battery away from children!
- Do not expose the battery to heat, fire or direct sunlight!
- If electrolyte fluid is leaking from the battery, avoid contact with the skin. If this happens though, wash the skin immediately with plenty of water and seek medical assistance!
- Replacing the battery can only be done by a service!
- Lift only by the carrying handle!
- If any irregular operation is detected (e.g., unusual noise or burnt odor from unit), immediately switch it off and remove the power plug!
- Make sure that no foreign objects or liquid can enter the unit through the openings.
- Do not expose the product to dust, humidity, sunlight or direct heat radiation!
- Do not touch the unit or the power cable with wet hands!
- Due to continuous improvements the design and specifications may change without any prior notice.

- We don't take responsibility for printing errors and apologize if there's any.
- The unit is intended for household use. No industrial use is permitted.

Caution: Risk of electric shock!

Do not attempt to disassemble or modify the unit or its accessories. In case any part is damaged, immediately power off the unit and seek the assistance of a specialist.



In the event that the power cable should become damaged, it should only be replaced by the manufacturer, its service facility or similarly qualified personnel.

FEATURES

continuously controllable speed • built-in Li-Ion battery • 8 db 2000 mAh, 18650 battery • 44.4 Wh • IPX4 protection against splashing water • battery indicator LEDs • USB outlet for charging other devices • metal fan blades • massive metal grille • adjustable angle (90°)

USING AND CHARGING THE FAN
Connect the supplied adapter to a standard 230 V~/50 Hz socket and connect it to the product's charger socket (7).
LEDs indicate the state of the charging. Fully charging a totally discharged battery takes 3.5 hours. When finished with the charging, unplug the adapter from the product and also unplug it from the socket.

With the fan speed dial (6) you can continuously set the speed of the fan. The estimated battery life with one charge on the lowest speed is 10 hours, on the highest speed is 3 hours.

With the USB charging socket you can charge other products with this appliance, such as torches or head mountable lights.

You can set the angle of the appliance at up to 90°. Switch off the product and by grabbing the grille, you can set the angle with one firm movement.

CLEANING AND MAINTENANCE

In order to ensure optimum functioning, the unit may require cleaning at least once a month, depending on the manner of use and degree of contamination.

- Switch off the product prior to cleaning.
- Use a slightly moistened cloth to clean the unit's exterior. Do not use any aggressive cleaners. Avoid getting water inside of and on the electric components of the appliance.
- Only power on the fan after this has been done!

TROUBLESHOOTING

Cause	Solution
the fan does not switch on	charge the battery check the switches



Waste equipment must be collected and disposed separately from household waste because it may contain components hazardous to the environment or health. Used or waste equipment may be dropped off free of charge at the point of sale, or at any distributor which sells equipment of identical nature and function. Dispose of the product at a facility specializing in the collection of electronic waste. By doing so, you will protect the environment as well as the health of others and yourself. If you have any questions, contact the local waste management organization. We shall undertake the tasks pertinent to the manufacturer as prescribed in the relevant regulations and shall bear any associated costs arising. **DISPOSING OF ALKALINE AND RECHARGEABLE BATTERIES** Batteries, whether alkaline or rechargeable, must not be handled together with regular household waste. It is the legal obligation of the product's user to dispose of batteries at a nearby collection center or at a retail shop. This ensures that the batteries are ultimately neutralized in an environment-friendly way.

SPECIFICATIONS

power adapter	PR: 110 - 240 V / 50/60 Hz / 0.8 A
SEC: 24 V ~ / 1.5 A	
beépített akkumulátor	8 db 2000 mAh, 18650 akkumulátor • 44.4 Wh
charge time	3.5 hours
working time with one charge	3-10 hours
fan power	40 W
contact protection class	II
maximum air mass volume	F = 41.8 m ³ /min
fan input power	P = 16.81 W
service value	SV = 2.49 (m ³ /min)/W
power consumption during standby	P ₀ = 0.32 W
fan acoustic power level	L _w = 59.9 dB(A)
maximum air speed	c = 3.44 m/sec
service value standard	IEC60879
length of adapter power cable	1.2 m
nominal blade diameter	30 cm
overall size of the product	43 x 38 x 18 cm
weight	2.8 kg

ONE-YEAR LIMITED WARRANTY

The manufacturer warrants this product against defects in materials and workmanship on functional parts, for a period of 1 year from the original date of purchase. Your sales receipt showing the date of purchase of the product is your proof of purchase. Keep it in a safe place for future reference. This warranty is subject to personal use only, commercial or rental applications will not be covered.

This product is made with the highest quality materials and is warranted to be free from defects in materials and workmanship at the time of purchase. This limited warranty applies to products manufactured or distributed by the manufacturer, are delivered in the continental United States or Canada and extends to the original purchaser, or gift recipient. This warranty becomes valid at the time of purchase and terminates either by the specified time frame listed above and/or owner transfer. Any refunds or monetary compensations must be claimed through the place of purchase (retailer), and not through the manufacturer. Any extended warranties (warranties that cover above and beyond this manufacturer warranty) that are sold through a retailer or third party, are not directly correlated with this products' limited warranty, and may be redirected to said retailer or third party for coverage.

This warranty extends through the manufacturer of the product, and covers functional parts only. Cosmetics are not covered, unless unequivocally determined it is a workmanship defect. Shipping damage should be addressed with the shipping company, retailer, or place of purchase, not the manufacturer unless the manufacturer was the direct shipper.

The manufacturer's sole obligation under this warranty shall be limited to furnishing the original purchaser replacement parts for units deemed repairable by the supplier's warranty department. The purchaser is responsible for insuring any parts shipped or returned, if desired. The purchaser is responsible to prepay any shipping charges (both ways) including, but not limited to taxes and duties. All exchanged parts and products replaced under this warranty will become the property of manufacturer. The manufacturer reserves the right to change manufacturers of replacement parts or products for use, in order to cover any existing warranty.

The purchaser may be asked to provide the supplier with proof of purchase documents (including the date of purchase) if requested. Any evidence of alteration, erasing, or forgery of proof of purchase documents will be just cause to VOID this limited warranty. Products, in which the serial number has been defaced or removed are not eligible for warranty coverage.

This warranty does not apply if the unit has been subject to negligence, fabrication, misuse, abuse, or repairs, alteration by non-manufacturer authorized personnel, inappropriate installations, or any case beyond the control of the manufacturer. Examples of warranty invalidation may also include, but are not limited to:

- Use of lacquer or paints in (and around) the Product
- Product placed on non-approved surfaces
- Electrical requirement deficiencies (15-20 amp dedicated outlet)
- Use on extension cords/timers/surge protectors/GFCI
- Outdoor applications
- Normal wear/tear/weathering
- Pet/consumer accidents
- Purchases from dealers unauthorized by the manufacturer (Authorization in writing)

The manufacturer shall not be liable for any loss due to use (or misuse) of the Product or other incidental or consequential costs, expense or damages without irrefutable foundations. Under no circumstances shall the manufacturer or any of its representatives be held liable for injury to any person or damage to any property, however arising. Any implied warranty shall have duration equal of the applicable warranty stated above. Specifications are subject to change without notice or obligation.

This limited warranty gives the original purchaser specific legal rights. Other rights may vary from state to state.

PLEASE REMEMBER TO REGISTER YOUR WARRANTY!
web: www.lifesmartcomfort.com
email: cs@scsources.com

lifesmart® is a registered trademark of Supply Chain Sources., All Rights Reserved.

Printed in China