

UPR 513
Undercounter



 GERMAN
ENGINEERING

LIEBHERR

Quality, Design and Innovation

The **UPR 513** takes both the designer and the user in mind, offering convenient features and design flexibility to fit any home. The universally designed, pull-out undercounter refrigerator can be adjusted in height to match that of the counter space, providing an optimal fit for countertops up to 34" high. Like all Liebherr integrated appliances, the UPR 513 uses door-on-door technology, allowing custom panels to be affixed directly onto the appliance door, ensuring seamless integration within your custom design, as well as easy installation.

The **UPR 513** includes a variety of flexible storage features to fit your specific needs. The door bin can be used to store tall beverages, or can be adjusted for larger gallon storage. Items stored in the bottom bin are automatically raised upon door opening thanks to the LiftUp Box system, bringing your foods closer and easier within reach. The UPR 513's fully extendable SoftTelescopic drawers provide reliable self-retraction and soft closing, while the elegant, yet tough, space-saving GlassLine shelves are both scratch resistant and easy to clean.

Noise is kept to a minimum thanks to virtually silent, speed controlled, and specially-absorbed compressors along with a low noise cooling circuit, ensuring exact performance, energy efficiency and SuperQuiet operation.



Undercounter

Energy consumption (kWh/y)
Estimated Yearly Energy Cost in US \$*
Sound rating dB(A)**
Refrigerator capacity cu.ft. (l)
Number of shelves
Number of fruit and vegetable drawers
Electronic control
Refrigerator temperature range °F (°C)***
Defrost type
Interior light
Door alarm
Gallon storage
Lift-up Box
Door type
SoftSystem
Door hinges
Product dimensions (H/W/D) in. (cm)
Cut out dimensions (H/W/D) in. (cm)
Net weight lbs. (kg)
Voltage V/Hz

UPR 513 Premium     

225
27
37
4.4 (124)
2
1
MagicEye with LCD temp. display, touch electronic
+36°F to +48°F (+2°C to +9°C)
automatic
LED lighting
visual and acoustic
yes
yes
panel ready or stainless steel panel as accessory
yes
pullout
32 5/16"-34 11/16" / 23 9/16" / 21 11/16" (82-88/59.7/55)
32 5/16"-34 11/16" / 23 5/8" / 21 11/16" (82-88/60/55)
96.3 (43.7)
115/60

* Estimated energy cost will depend on utility rates and use. Estimated energy cost based on a national average electricity cost of 12 cents per kWh.

** Noise output – according to EN 60704-3.



German Engineering: Our superior products offer premium quality, cutting edge design, and innovative features that best fit your lifestyle. The use of high quality materials, perfectly detailed finishes, and elite cooling components are combined with the latest production processes, resulting in an outstanding cooling product.



Energy Star: The entire line of North American Liebherr appliances meet or exceed ENERGY STAR® rating requirements, greatly reducing greenhouse emissions and energy costs.



SuperCool: The automatic SuperCool function lowers the refrigerator temperature down as far as 35°F for as long as 12 hours - ideal for rapidly cooling freshly stored food.



Super Quiet

SuperQuiet: Noise levels are kept to a minimum thanks to virtually silent, speed-controlled, and sound absorbing compressors. Alongside a low noise cooling circuit, these features ensure exact performance, energy efficiency, and SuperQuiet operation.



Soft Telescopic

SoftTelescopic: The fully extendible pull-out fridge compartment is mounted on telescopic rails with soft stop and self-closing. It has a practical bottle shelf and a removable fruit and vegetable drawer. The large drawer can also be divided into two equal-sized compartments, with further storage space underneath.



Electronic Control

Electronic Display: Our intuitive electronic touch control panel ensures all functions are easy and convenient to use as well as guarantees that the settings selected remain accurate and constant.



Glass Line

GlassLine: The elegant yet tough GlassLine shelves are scratch resistant and easy to clean as well as dishwasher safe. The space-saving shelves are designed for organization and are completely adjustable to suit your needs and the contents of the refrigerator. Additionally, the lighting shines through for a brighter interior.



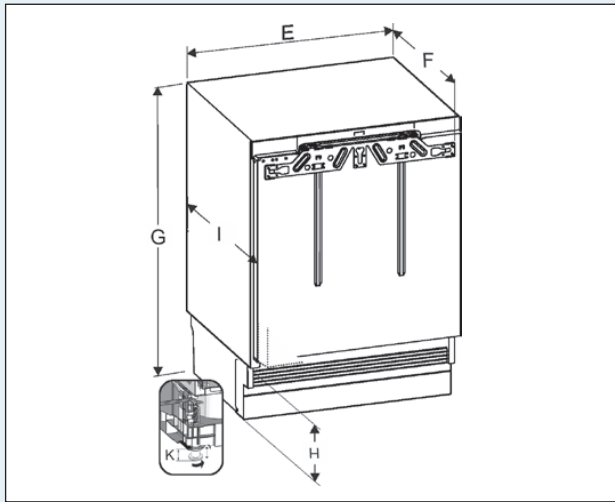
LED

LED: The LED ceiling light creates a high-class lighting ambience within the refrigerator. Its beautifully designed, space-efficient housing is centrally positioned to provide a delightfully even illumination.



Vegetable bins: vegetable bins provide plenty of space for organizing fruit and vegetables. In addition, they are easy to clean.

Appliance Dimensions



E	23 - 1/2" (597 mm)
F	closed: 21 - 5/8" (550 mm) max. opened: 39 - 3/4" (1010 mm)
G	adjustable feet screwed in: 32 - 1/4" (819,5 mm) adjustable feet screwed out max: 34 - 1/4" (869,5 mm)
H	6 - 5/8" - 8 - 9/16" (168 mm - 218 mm)
I	21 - 1/4" (540 mm)
K	max. height adjustment: 2" (max. 50 mm)

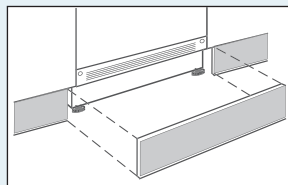
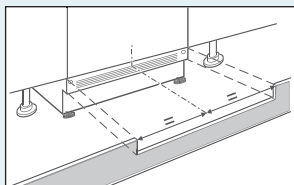
Toe Kick Installation

The toe kick installation will be different depending on the cabinetry where the appliance is installed. A toe kick panel will be required to cover the gap between the ventilation grill and the floor.

A cut-out in the toe kick panel is necessary when the toe kick covers the ventilation openings of the ventilation grill.

If the cabinets do not have a toe kick, a toe kick can be prepared and fitted just in front of the appliance.

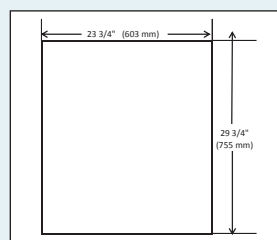
A stainless steel adjustable toe kick is provided with the unit. A custom panel toe kick can also be used.



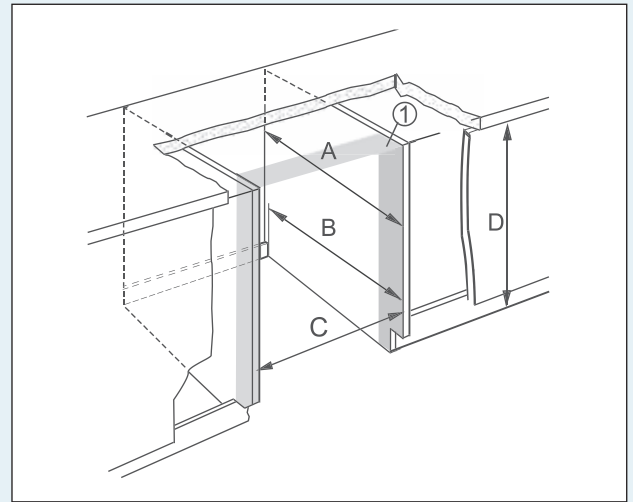
Door Panel for Standard Toe Kick

These panel dimensions are for inset flush installation in a standard cabinet opening of 24" (610 mm) wide with a cabinet that is 30" (762 mm) tall plus a 4" (102 mm) or 4 1/2" (115 mm) toe kick.

If the cabinet opening is different you will need to modify the door panel accordingly.

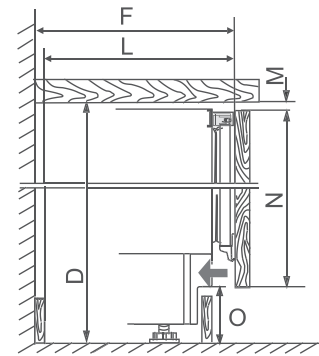


Cabinet Dimensions

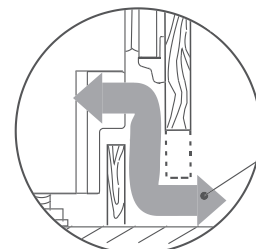


A	min. 21 - 5/8" (min. 550 mm)
B	21 - 1/4" (540 mm)
C	23 - 5/8" - 24" (600 mm - 610 mm)
D	32 - 1/4" - 34 - 5/8" (820 mm - 880 mm)
	3" (approx. 76 mm) of the cabinet needs to be finished as it can be seen when the door is open.

Side view



D	32 - 1/4" - 34 - 5/8" (820 mm - 880 mm)
F	closed: 21 - 5/8" (550 mm) max. opened: 39 - 3/4" (1010 mm)
L	21 - 1/4" (540 mm)
M	1/8" (4 mm)
N	25 - 7/16" - 30 - 5/16" (646 mm - 770 mm)
O	max. 4" - 6" (max. 102 mm - 152 mm)



A gap of 1 3/8" (35 mm) must be maintained to ensure sufficient ventilation.