

HRB 1120 Premium Plus BioFresh

24" Fully Integrated BioFresh Refrigerator

Liebherr's HRB 1120 is a full refrigerator with streamlined interior shelving to hold everything from large platters to small containers and three newly designed BioFresh drawers for the optimum storage of meats, cheeses, fruits and vegetables. Hidden away behind custom cabinetry, enjoy features such as efficient LED-lighting throughout, and variable bottle shelving.

The 24" fully integrated unit incorporates SoftSystem door technology to ensure the door closes gently even when fully loaded. It features streamlined Liebherr space design.



GlassLine

LED light column



FlexiShelf

Capacity	
Total	308 liters /10.8 cu. ft.
Refrigerator Compartment	308 liters /10.8 cu. ft.
Energy Star	Yes
Energy consumption per year	283 KWH/Y
Estimated yearly Energy Cost	\$34 USD *
Climate rating	SN-T 10°C to 43°C(50°F to 110°F)
Power	115v at 60hz 2.5 amps / 300 watt
Shipping Weight	194 lbs. / 88 kg
Refrigerator Compartment	
Refrigerator Door	Right Hand Reversible
Interior light	LED Side
Forced air fan system	Quiet DC fan
Bottle shelf	Yes
Crisper Drawers	2 Clear Plastic
VarioBox	Clear Plastic Covered Door Shelf
Gallon storage door shelf	1
Glass Shelves Adjustable	3
*Your Energy Costs will depend on your utility rates and use. Estimated energy cost based on a national average electricity cost of 12 cents per KWh.	

THIS IS A QUICK REFERENCE GUIDE FOR **HRB 1120**, FOR COMPLETE INSTRUCTIONS, PLEASE REFER TO THE DESIGN GUIDE OR VISIT <http://www.liebherr-appliances.com>

4 Appliance dimensions

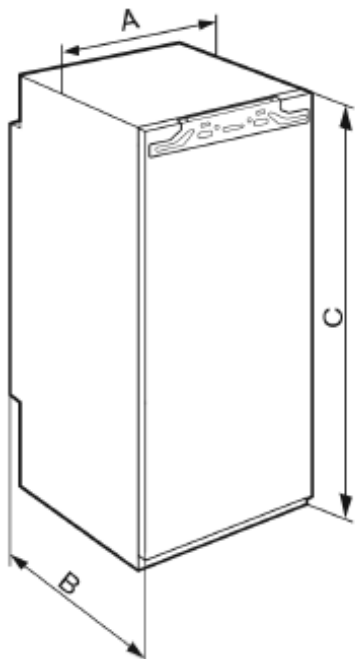


Fig. 1

	in.	mm
A	22	559
B	21 7/16	544
C	69 11/16	1770

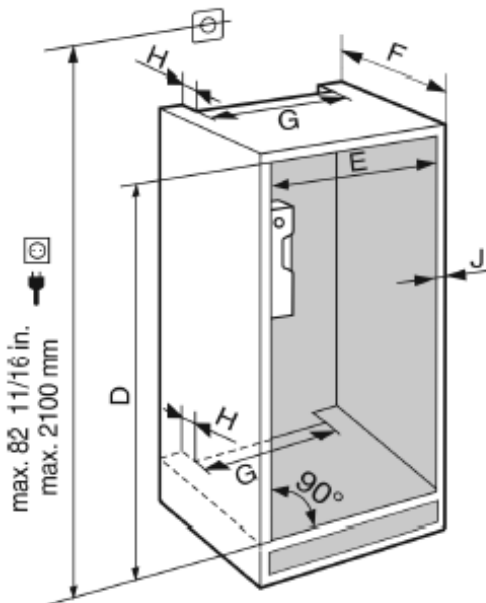
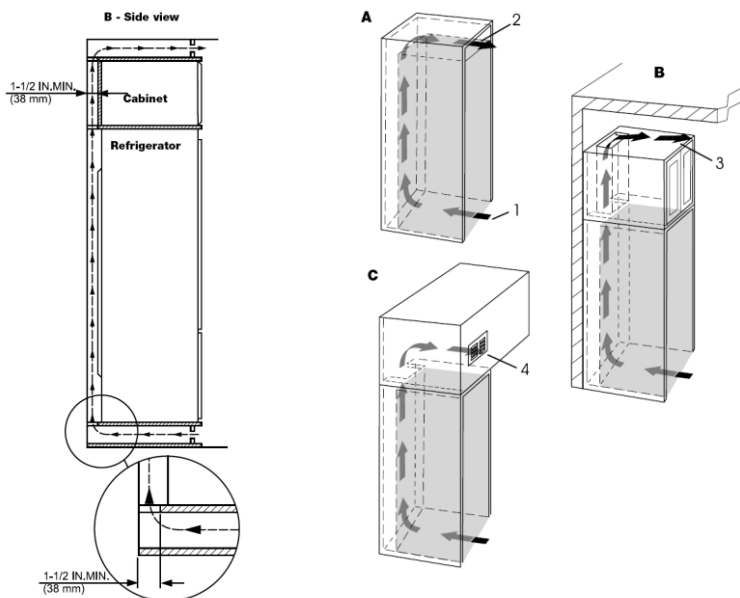


Fig. 2

	in.	mm
D	69 3/4 — 70 3/8	1772 — 1788
E	22 — 22 3/4	560 — 578
F	min. 21 5/8	min. 550
G	min. 19 11/16	min. 500
H	min. 1 5/8	min. 40
J	max. 3/4	max. 19

Ventilation Requirements



This is a fully integrated refrigerator-freezer which means that it is fully enclosed by a kitchen cabinet. This type of cabinet must be carefully constructed using the correct dimensions and it must provide suitable ventilation to ensure proper appliance operation.

Kitchen Cabinet Airflow

1. The following ventilation dimensions must be observed:

There must be a ventilation space at least 31 in.² (200 cm²) at the airflow inlet (1) and at the airflow outlet (2).

The top ventilation space can be directed in one of the following ways:

A) Directly over the appliance (2) with either an optional factory air vent or custom made one using the template supplied with the unit.

B) Above the cabinet and below the ceiling (3).

C) Through a vent installed in a soffit (4).

