



HCB 1581
Fully Integrated/Seamless



LIEBHERR
Quality, Design and Innovation

Hidden away behind custom cabinetry or shown off with optional Liebherr designed stainless steel panels, the stylish and sleek 30" fully integrated **HCB 1581** left hinge refrigerator-freezer offers impressive performance features and design flexibility. Smart interior design features include the elegant, yet tough, space-saving GlassLine shelves, and a stainless steel back wall which prevents dripping and the build-up of ice. The automatic IceMaker with fixed water connection produces perfect half-moon crescent ice cubes, which can be taken from freezer-to-table thanks to the removable ice bin.

Liebherr's BioFresh technology helps foods retain their healthy vitamins, aromas, and appetizing appearance for significantly longer than in conventional refrigerators. Each BioFresh drawer can be adjusted individually, and provides ideal humidity for versatile storage solutions.

The smart DuoCooling system, with individual variable speed compressors, ensures that there is no air exchange between the refrigerator and freezer compartments, guaranteeing that food won't dry out, and that the freezer is always ice-free.



Fully Integrated/Seamless

HCB 1581 PremiumPlus



Energy consumption (kWh/y)	507
Estimated Yearly Energy Cost in US \$*	61
Sound rating dB(A)**	42
Refrigerator capacity cu.ft. (l)	9.8 (278)
BioFresh comp. cu.ft. (l)	2.1 (60)
Freezer capacity cu.ft. (l)	4.3 (122)
Number of shelves	4
Number of door racks	3
Number of freezer drawers	2 with LED lighting
Number of BioFresh drawers	2 with LED lighting
Electronic control	MagicEye with digital temp. display, touch electronic
Refrigerator temperature range °F (°C)***	+37°F to +45°F (+3°C to +7°C)
Freezer temperature range °F (°C)	+7°F to -17°F (-14°C to -27°C)
Defrost type	automatic
Interior light	LED light column on both sides
Water filter	yes
IceMaker	fixed water connection
Ice cube output lbs. (kg)/24h	3.1 (1.4)
Ice cube stock lbs. (kg)	7.9 (3.6)
Door hinges	left
Product dimensions (H/W/D) in. (cm)	79 11/16" / 29 13/16" / 24 1/16" (202.4/75.7/61)
Cut out dimensions (H/W/D) in. (cm)	80"-81 5/8" / 30" / 24 1/16" (203.2-207.2/76.2/61)
Net weight lbs. (kg)	335.1 (152.0)
Voltage V/Hz	115/60

* Estimated energy cost will depend on utility rates and use. Estimated energy cost based on a national average electricity cost of 12 cents per kWh.

** Noise output – according to EN 60704-3.

*** BioFresh bins temperatures 32°F (0°C).



German Engineering: Our superior products offer premium quality, cutting edge design, and innovative features that best fit your lifestyle. The use of high quality materials, perfectly detailed finishes, and elite cooling components are combined with the latest production processes, resulting in an outstanding cooling product.



Energy Star: The entire line of North American Liebherr appliances meet or exceed ENERGY STAR® rating requirements, greatly reducing greenhouse emissions and energy costs.



Bio Fresh

BioFresh: BioFresh guarantees the perfect climate for super-long-term freshness. Each drawer can be used individually and provides ideal humidity – HydroSafes with high humidity or DrySafes with low humidity – for a versatile storage solution of meats and cheeses as well as fruits and vegetables.



Duo Cooling

DuoCooling: The dual refrigeration system creates optimal conditions in both the refrigerator and freezer which lengthens the shelf life of food items for a healthier lifestyle. This technology also preserves the flavor and texture of foods since there is no transfer of unwanted air, moisture or food aroma between the two compartments.



SuperCool/SuperFrost: Simply quick chill and/or freeze fresh groceries to preserve optimum freshness and seal in flavors, textures as well as maintain essential vitamins and minerals.



Super Quiet

SuperQuiet: Noise levels are kept to a minimum thanks to virtually silent, speed-controlled, and sound absorbing compressors. Alongside a low noise cooling circuit, these features ensure exact performance, energy efficiency, and SuperQuiet operation.



Electronic Control

Electronic Display: Our intuitive electronic touch control panel ensures all functions are easy and convenient to use as well as guarantees that the settings selected remain accurate and constant.



Glass Line

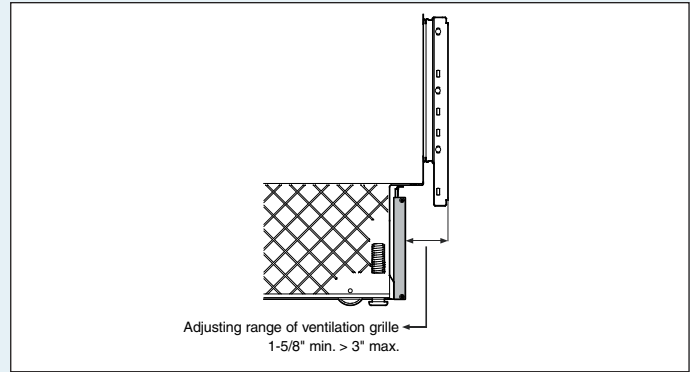
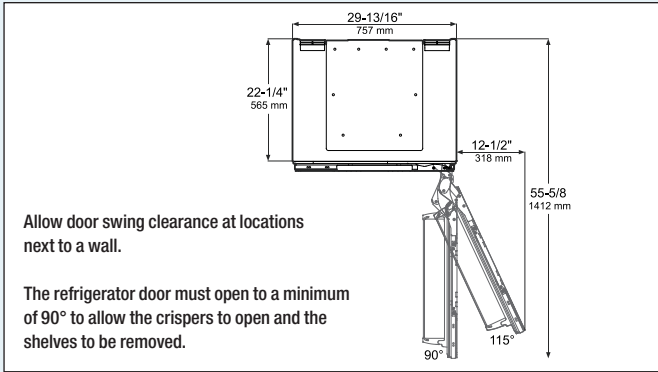
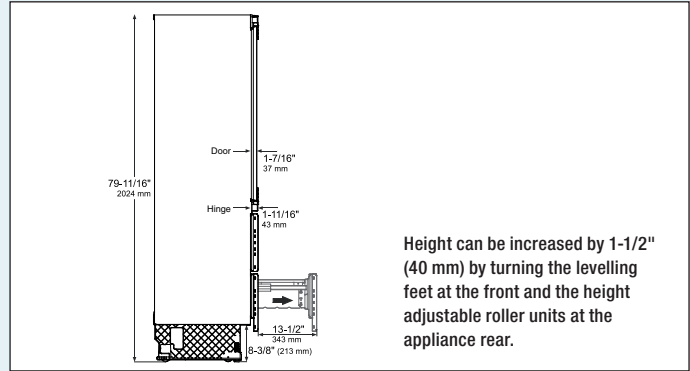
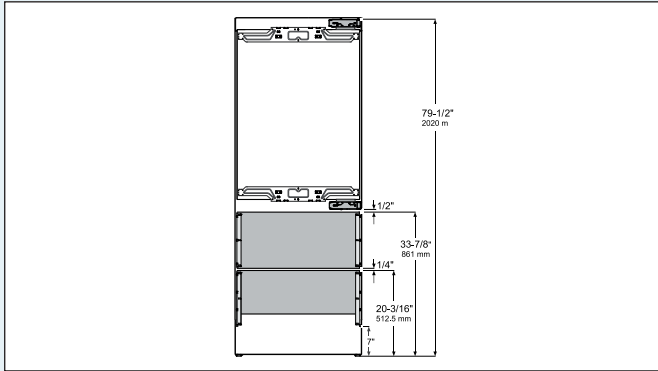
GlassLine: The elegant yet tough GlassLine shelves are scratch resistant and easy to clean as well as dishwasher safe. The space-saving shelves are designed for organization and are completely adjustable to suit your needs and the contents of the refrigerator. Additionally, the lighting shines through for a brighter interior.



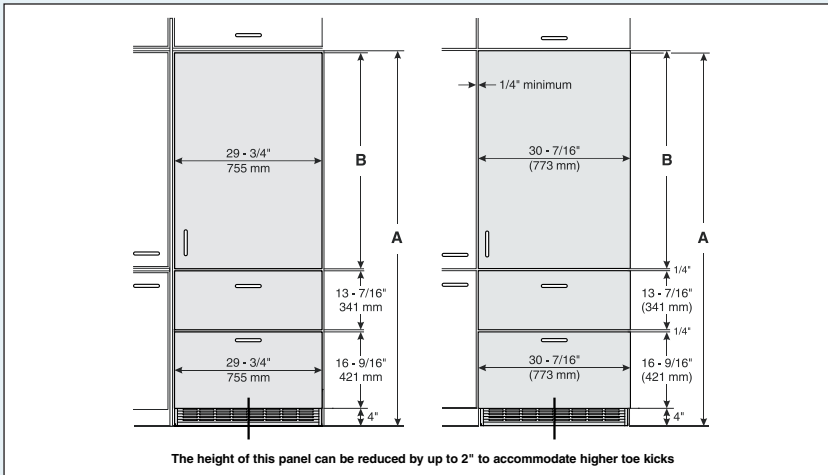
LED

LED: Distinctive LED light columns are integrated into both sides of the compartment liner. Inside the columns are numerous cool LED lights that ensure uniform lighting throughout the interior.

Unit Dimensions



Panel Dimensions



Inset Installation Style

Minimum panel thickness is 5/8" (16 mm).

Maximum panel thickness is 1-1/2" (38 mm).

Maximum weight of the refrigerator panel is **60 lbs** (27 kg).

Maximum weight of each freezer panel is **26.5 lbs** (12 kg).

Cabinet opening A	Refrigerator door panel B
80"	45-1/4" (1150 mm)
84"	49-1/4" (1251 mm)"

Frameless Installation Style

Minimum panel thickness is 5/8" (16 mm).

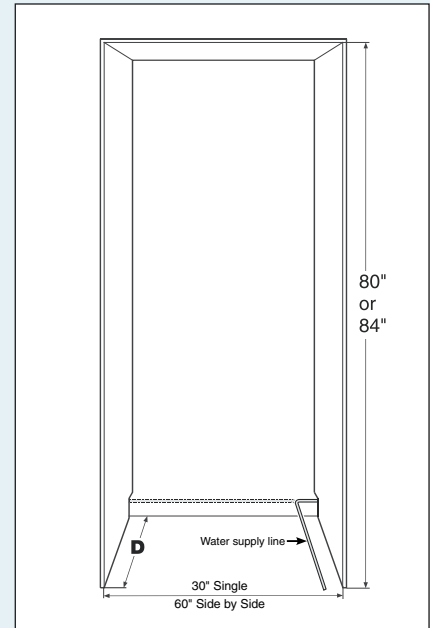
Maximum panel thickness is 1-1/2" (38 mm).

Maximum weight of the refrigerator panel is **60 lbs** (27 kg).

Maximum weight of each freezer panel is **26.5 lbs** (12 kg).

Cabinet opening A	Refrigerator door panel B
80"	45-3/4" (1162 mm)
84"	49-3/4" (1264 mm)"

Cabinet Opening Dimensions



Inset cabinet Depth D	Frameless cabinet Depth D
24" + panel thickness	24"

IMPORTANT

Factory available stainless steel panels are designed for an inset installation only and require a cabinet / gable depth of 24 - 3/4".