

WT7900H_A

5.5 cu. ft. Top Load Washer with TurboWash3D™

- 5.5 cu. ft. Mega Capacity
- TurboWash3D™ Technology
- 6Motion™ Technology
- AAFA Certified LG Washer
- LG ThinQ® App with ThinQ Care
- Water Plus
- ColdWash™ Technology
- NeverRust™ Stainless Steel Tub
- Direct Drive Motor 10-Year Limited Warranty
- ENERGY STAR® Certified

AVAILABLE COLORS



Proactive Smart Alerts to Keep Your Appliances Running Smoothly

ThinQ Care

- Preventative Alerts help you stay a step ahead of potential issues to find proactive solutions before problems arise.
- Avoid preventable repairs and service calls with real-time diagnostics for a hassle-free experience.
- Integrated within LG's ThinQ app—a smart home hub for managing your smart devices and appliances.



SUMMARY		WASH DETAILS		SMART FEATURES	
Type	Top Load Washer	No. of Wash/Rinse Temps	5	LG ThinQ® Technology	Yes
Energy Star Qualified	Yes	Wash/Rinse Temps	Extra Hot, Hot, Warm, Cold, Tap Cold	ThinQ Care	Yes
Capacity (cu. ft.)	5.5 cu. ft.	No. of Spin Speeds	5	SmartDiagnosis™	Yes
Matching Electric Dryer	DLEX7900_E	Spin Speeds	Extra High, High, Medium, Low, No Spin	WiFi Connectivity	Yes
Matching Gas Dryer	DLGX7901_E	No. of Water Levels	Automatically adjusts to the size of load	Remote Start and Cycle Monitor	Yes
Color	Black Steel (B)	No. of Soil Levels	5	Energy Monitoring	Yes (Wifi)
CAPACITY		FABRIC CARE FEATURES		MOTOR AND AGITATOR	
Capacity	5.5 cu. ft.	TurboWash® Technology	TurboWash3D™	Motor Type	HEDD
APPEARANCE		Steam Technology	Yes	Max RPM	950
Intelligent Electronic Controls with Dual LED Display	Yes	Sanitary Cycle (Steam)	Yes	Axis	Vertical
Touch Buttons	Yes	Allergiene™ Cycle	Yes	MATERIALS AND FINISHES	
Electronic Control Panel with LED Display	Yes	SmartRinse™ Jet Spray System	Yes	NeverRust™ Stainless Steel Drum	Yes
Dial-A-Cycle™	Yes	ColdWash™ Option	Yes	NeverRust™ Stainless Steel Washplate	Yes
ENERGY		SenseClean™ System	Yes	POWER SOURCE	
ENERGY STAR® Qualified	Yes	CONVENIENCE FEATURES		Ratings	CSA Listed
CEE Tier	1	SlamProof™ Lid	Yes	Electrical Requirements	120V @ 60Hz.
IMEF	2.76	TrueBalance™ Anti-Vibration System	Yes	DIMENSIONS	
IWF	3.2	SmartDiagnosis™	Yes	Product (WxHxD)	27" x 44 1/2" x 28 3/8" (57 1/4" H with lid open)
WASH PROGRAMS		3-Tray Dispenser	Yes	Carton (WxHxD)	28 7/8" x 47 1/4" x 31"
No. of Programs	14	LoadSense	Yes	Weight (Product)	132.3 lbs
	Normal, Heavy Duty, Bedding, Deep Wash, Sanitary, Allergiene, Bright Whites, Pre Wash+, Normal, Delicates, Perm Press, Towels, Speed Wash, Waterproof, Downloaded	Status Indicator(s)	Yes	Weight (Carton)	140.9 lbs
WASH OPTIONS		End of Cycle Signal	Yes	LIMITED WARRANTY	
No. of Options	16	Child Lock	Yes	Parts and Labor	1 Year
	Steam, Soak, Extra Rinse, Add Garments, Delay Wash, Control Lock, Water Plus, ColdWash™, Rinse+Spin, Spin Only, StainCare, Tub Clean, Signal, Remote Start, Wi-Fi, TurboWash	Auto Suds Removal	Yes	Direct Drive Motor	10 Years
		Forced Drain System	Yes	Drum	3 Years
		Add Garment Indicator	Yes	UPC CODES	
		Internal Water Heater	Yes	WT7900HBA (Black Washer)	048231015462
		LoDecibel™ Quiet Operation	Yes	WT7900HWA (White Washer)	195174026618
		Leveling Legs	Yes	DLEX7900BE (Black El. Dryer)	048231015486
		WiFi Connectivity	Yes	DLGX7901BE (Black Gas Dryer)	048231015509
				DLEX7900WE (White El. Dryer)	195174026717
				DLGX7901WE (White Gas Dryer)	195174026724

WT7900H_A

5.5 cu.ft. Top Load Wash with TurboWash3D™

QUICK INSTALL & CLEARANCES

For full installation directions/clearances please refer to the corresponding User Manual and Installation Guide.

DIMENSIONS/CLEARANCES/WEIGHTS

A Width	27"
B Height	44 1/2"
C Depth	28 3/8"
D Height with lid open	57 1/4"
Carton Dimensions (WxHxD)	28 7/8" x 47 1/4" x 31"

ENERGY / RATINGS

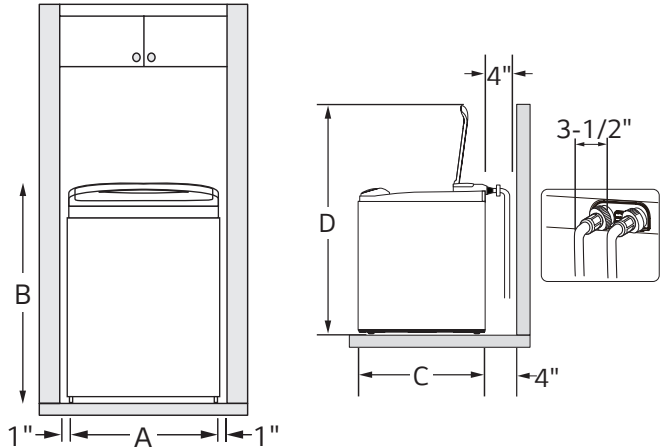
ENERGY STAR® Qualified	Yes
IMEF	2.76
IWF	3.2
Ratings	CSA Listed
Electrical Requirements	120V @ 60Hz.

ELECTRICAL REQUIREMENTS

- The washer should be plugged into a 120-VAC, 60-Hz grounded 3-prong outlet. Plug in the washer. Improper connection of the equipment-grounding conductor can result in risk of electric shock. Check with a qualified electrician or service technician if you are in doubt as to whether the appliance is properly grounded. Do not modify the plug provided with the appliance. If it does not fit the outlet, have a proper outlet installed by a qualified electrician. Failure to follow these warnings can cause serious injury, fire, electrical shock, or death.
- The power outlet must be within 60 inches (1.5 m) of either side of the washer.
- The appliance and outlet must be positioned so that the plug is easily accessible.
- Do not overload the outlet with more than one appliance.
- The outlet must be grounded in accordance with current wiring codes and regulations.
- Time-delay fuse or circuit breaker is recommended.
- It is the personal responsibility and obligation of the product owner to have a proper outlet installed by a qualified electrician.



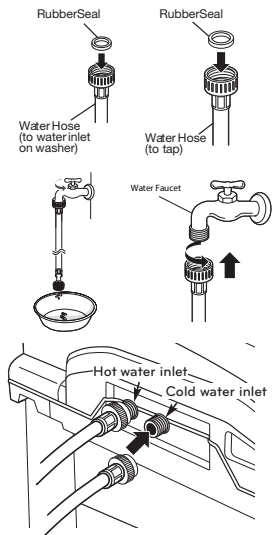
DIMENSIONS AND CLEARANCES



- To ensure sufficient clearance for water lines and airflow, allow minimum clearances of at least 1 in. (2.5 cm) at the sides and 4 in. (10 cm) behind the unit. Be sure to allow for wall, door, or floor moldings that may increase the required clearances.

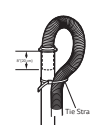
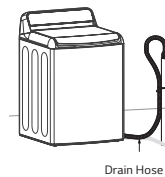
CONNECTING THE WATER LINES

- LG recommends the use of LG hoses. Any leaking, property damage, or damage to the washing machine caused by an improper installation or by the use of non-LG hoses is not covered under the terms of the LG warranty and is the sole responsibility of the customer and/or an installer.
- Water supply pressure must be between 20 psi and 120 psi (138-827 kPa). If the water supply pressure is more than 120 psi, a pressure reducing valve must be installed.
- Inspect the threaded fitting on each hose and make sure there is a rubber seal in place in both ends of each hose.
- Connect the water supply hoses to the HOT and COLD water faucets tightly by hand and then tighten another 2/3 turn with pliers.
- Always run a gallon or two of water through each inlet hose to flush dirt, scale and other debris out of the water lines. Doing so will help prevent future problems with clogged filter screens, and will also allow you to verify which water line is hot and which is cold.
- Attach the hot water line to the hot water inlet on the back of the washer. Attach the cold water line to the cold water inlet on the back of the washer. Tighten the fittings securely. Turn ON both faucets all the way and check for leaks at both ends of the hoses.



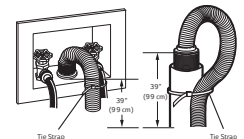
CONNECTING THE DRAIN HOSE

- The drain hose should always be properly secured. Failure to properly secure the drain hose can result in flooding and property damage.
- The drain must be installed in accordance with any applicable local codes and regulations.
- Make sure that the drain hose is not stretched, pinched, crushed, or kinked.
- Normal height of the end of the hose should be approximately 35"-47" (0.9-1.2 m) from the floor.
- Do not install the end of the drain hose lower than 29 in. (73.7 cm) or higher than 96 in. (243.8 cm) above the bottom of the washer or more than 60 in. (152.4 cm) away from the washer.
- Never create an airtight seal between the hose and the drain with tape or other means. If no air gap is present, water can be siphoned out of the tub resulting in poor wash/rinse performance or clothing damage.



STANDPIPE Option

- Do not insert the end of the drain hose into the standpipe more than 8 inches (20cm). **Doing so can cause siphoning, odors, or improper draining.**



LAUNDRY TUB Option

- Do not use this drain hose with a floor drain. The end of the drain hose must be at least 29 inches above the floor for proper draining to occur.