

**LG COOKING**

# LSD4913ST

**Electric Single Oven Slide-In**
**Professional Dual Fuel**
**ProBake Convection®**
**EasyClean®**
**Slide-in Design**
**5 High Performance Sealed Burners**
**UltraHeat™ 18.5K BTU Power Burner**
**SmoothTouch™ Glass Controls**
**Brilliant Blue Interior**
**WideView™ Window**
**SmartThinQ® Technology**

**Enjoy new ways to control your home with LG smart appliances**

- Start or stop your Oven remotely
- Set your Monitor Status from your smartphone
- Works with the LG SmartThinQ® app

**SmartThinQ®**


CAPACITY	
Oven Capacity (cu. ft.)	6.3 cu.ft.
Warming Drawer Capacity (cu. ft.)	0.8 (w/ Handle)
COOKTOP	
Burner/BTU - Left Rear (LNG/LPG)	9,100/9,100
Burner/BTU - Right Rear (LNG/LPG)	5,000/5,000
Burner/BTU - Left Front (LNG/LPG)	12,000/10,000
Burner/BTU - Right Front (LNG/LPG)	18,500 / 12,500 (UltraHeat™)
Burner/BTU - Center (LNG/LPG)	10,000 (Oval-Burner)/10,000
Burner Simmer / BTU - Left Rear	1,100
Burner Simmer / BTU - Right Rear	650
Burner Simmer / BTU - Left Front	1,200
Burner Simmer / BTU - Right Front	1,330
Burner Simmer / BTU - Center	2,300
Cooktop Finish	Stainless Steel
OVEN FEATURES	
Broil Element (Watt)	Sheath (4200)
Convection (Watt)	Sheath 2500W
Convection Fan	Dual Speed (High/Low)
Convection System/Mode/Cooking System	ProBake Convection®
Oven Cooking Modes	Speed Roast, Bake, Broil, Convection Bake, Convection Roast, Multi-Rack Convection Baking, Delay Bake, Delay Clean, Proof, Warm
Oven Control Features	Glass Touch (SmoothTouch™)
Convection Conversion	Yes
EasyClean®	Yes
Self Clean	Yes
GoCook Smart Oven Light	Yes (1 Light)
No. of Rack Positions	7
Door Lock	Yes
Automatic Safety Shut-Down	After 12 hours
DRAWER FEATURES	
Type	Storage
CONTROL	
Cooktop Control Type	Front Tilt-Control Knobs
Oven Control Type	Glass Touch
Display	VFD
Language	English
Clock	12 hr or 24 hr (option)
Kitchen Timer	Yes
Timed Cook	Yes
Temperature Unit of Measure	Fahrenheit / Celsius
Cooking Complete Reminder Volume	Beeper

APPEARANCE	
Colors	Stainless Steel
Handle/Knobs	Stainless Steel
Knobs	Aluminum
Oven Door Feature	WideView™ Window
SmartThinQ® SMART FEATURES	
SmartDiagnosis™	Yes
Wi-Fi Connectivity	Yes
NFC Tag On	Yes
Works with	Google Assistant and Amazon Alexa
SmartThinQ® with Inniti and SideChef	Yes
DIMENSIONS/CLEARANCES/WEIGHT	
Shipping Weight (lbs)	224
Product Weight (lbs)	194
Cabinet Width (in)	30"
Overall Depth (in) - including handle	28 15/16"
Overall Height (in)	37 7/8"
Overall Width (in)	29 7/8"
Oven Interior Dimensions (in) (W x H x D)	24 13/16" x 21 5/16" x 19 3/4"
Height to Cooking Surface (in)	36"
Drawer Dimensions (in) (W x H x D)	22 3/16" x 4 1/2" x 16 3/8"
Carton Dimensions (in) (W x H x D)	32 31/32" x 44" x 30 17/32"
POWER/RATINGS	
Amp Rating at 208V	15.2A
Amp Rating at 240V	17.5A
KW Rating at 208V	3.2KW
KW Rating at 240V	4.2kW
ACCESSORIES	
Griddle Plate	1
Standard Rack	3
Spray Bottle	Yes
Scouring Pad	Yes
Conversion Kit	Yes
WARRANTY	
Parts & Labor	1 Year
UPC CODES	
LSD4913ST (Stainless Steel)	048231340755

## LG COOKING

## LSD4913ST

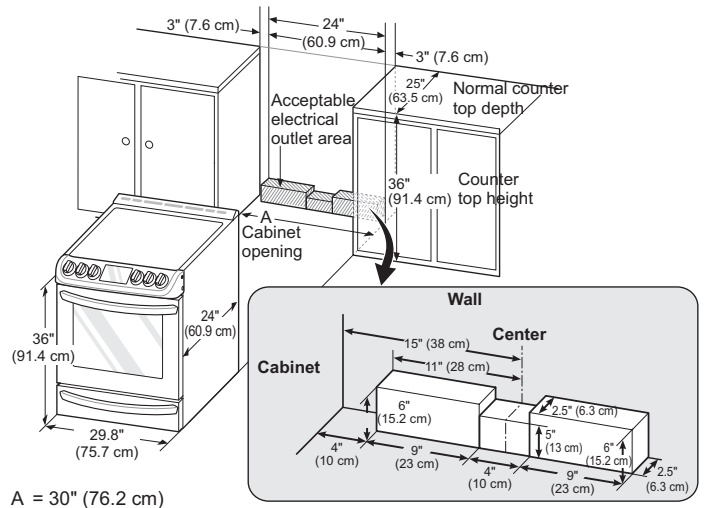
Electric Single Oven Slide-In

## QUICK INSTALL &amp; CLEARANCES

For full installation directions/clearances please refer to the corresponding User Manual and Installation Guide.

DIMENSIONS/CLEARANCES/WEIGHT	
Cabinet Width (in)	30"
Overall Depth (in) - including handle	28 15/16"
Overall Height (in)	37 7/8"
Overall Width (in)	29 7/8"
Oven Interior Dimensions (in) (W x H x D)	24 13/16" x 21 5/16" x 19 3/4"
Height to Cooking Surface (in)	36"
Drawer Dimensions (in) (W x H x D)	22 3/16" x 4 1/2" x 16 3/8"
Carton Dimensions (in) (W x H x D)	32 31/32" x 44" x 30 17/32"
POWER/RATINGS	
Amp Rating at 208V	15.2A
Amp Rating at 240V	17.5A
KW Rating at 208V	3.2KW
KW Rating at 240V	4.2kW

## DIMENSIONS AND CLEARANCES



A = 30" (76.2 cm)

## ELECTRICAL REQUIREMENTS

- This appliance must be installed and grounded on a branch circuit by a qualified technician in accordance with the National Electrical code ANSI/NFPA NO. 70 - latest edition.
- All wiring should conform to Local and NEC codes. This range requires a single-phase, 3 wire, A.C 120/208 V or 120/240 V 60 Hz electrical system. Use only a 3-conductor or a 4-conductor UL - listed range cord with closed-loop terminals, open-end spade lugs with upturned ends or similar termination. Do not install the power cord without a strain relief.
- A range cord rated at 40 amps with 120/240 minimum volt range is required. If a 50 amp range cord is used, it should be marked for use with 13/8" diameter connection openings. This appliance may be connected by means of a conduit or power cord. If a conduit is being used, check the Owners Manual for 3 wire conduit connections or 4 wire conduit connections.

## Specified power-supply-cord kit rating

Range rating, watts		Specified rating of power supply-cord kit, amperes	Diameter (inches) of Range connection Opening	
120/240 volts 3-wire	120/208 volts 3-wire		Power cord	Conduit
8,750 - 16,500	7,801 - 12,500	40 or 50A	1 3/8"	1 1/8"
16,501 - 22,500	12,501 - 18,500	50	1 3/4"	1 3/8"



4 Wire receptacle (14-50R)



3 Wire receptacle (10-50R)

## WARNING

- Allow 2 to 3 ft (61.0 cm to 91.4 cm) of slack in the line so that the range can be moved if servicing is ever necessary.
- The power supply cord and plug should not be modified. If it will not fit the outlet, have a proper outlet installed by a qualified electrician.
- Using an extension cord to connect the power is prohibited. Connect the power cord and plug directly.
- Electrical ground is required on this appliance.
- Make sure that the power cord is not pinched by the range or heavy objects. Failure to do so can result in serious burns or electrical shock.

## MINIMUM DIMENSIONS

- \* 30" (76.2 cm) minimum clearance between the top of the cooking surface and the bottom of an unprotected wood or metal cabinet; or 24" (60.9 cm) minimum when bottom of wood or metal cabinet is protected by not less than 1/4" (6.4 cm) flame retardant millboard covered with not less than no. 28 MSG sheet steel, 0.015" (0.381 mm) stainless steel, 0.024" (0.610 mm) aluminum or 0.020" (0.508mm) copper.

- \*\* 15" (38.1 cm) minimum between countertop and adjacent cabinet bottom.

