




* All images are for illustrative purposes only.

INDOOR LG LED SIGNAGE

LSCB Ultra Slim Series


 Ultra Slim Depth


 Front Service Access

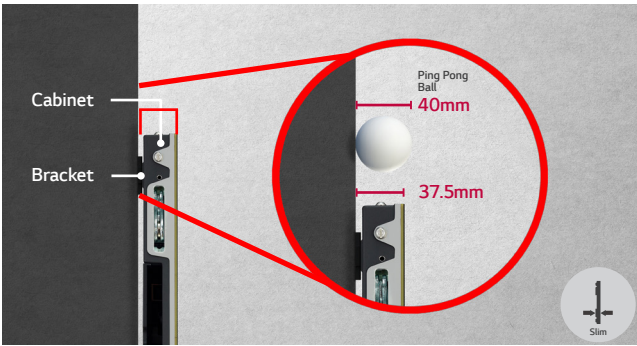
 16:9 Standard Cabinet Aspect Ratio

 90° Corner Design Available

 EMC Class B Certified & Fire Resistant Design

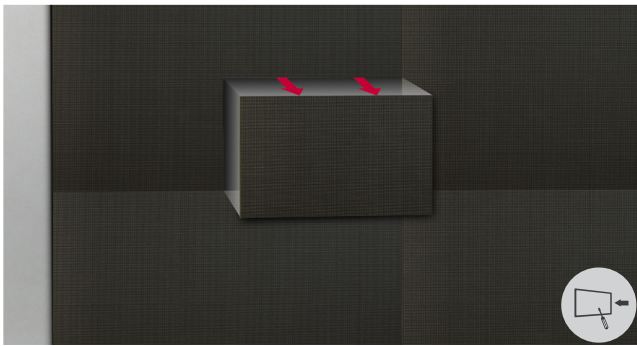
 Customize With Flat and Curved Panels

 Compatibility with LG Software Solutions



Ultra Slim Depth

With an edge thickness of just 37.5mm, the LSCB series ultra slim cabinets can be installed in a wide variety of venues with virtually no restrictions, creating a dynamic display that will immerse and captivate viewers.



Front or Rear Installation & Maintenance

The LSBC series cabinets can be accessed from the front or rear for maintenance for added convenience and enhanced installation options.



16:9 FHD/UHD Cabinet Configuration

Each cabinet features a 16:9 aspect ratio configuration for a perfect match to existing 16:9 content, but not limited to just 16:9 content.



Conventional 90° Corner Option Applied

90° Corner Design Available

The LSCB series offers an optional 90° corner configuration which can add dramatic impact to existing environments, delivering smooth, dynamic content to viewers.



EMC Class B Certified & Fire Resistant Design

For added safety and peace of mind, EMC Class B certification ensures that the LSCB series is safe from harmful electromagnetic waves and is designed to be fire-resistant.



Customized Radius Configurations

For added installation flexibility, the LSCB series offers half-height/ half-width and curved cabinets to create various types of screens, including customized curvature, concave and convex configurations.

*Left & right side cutting
**Depending on the radius, the unit case dimension size changes.



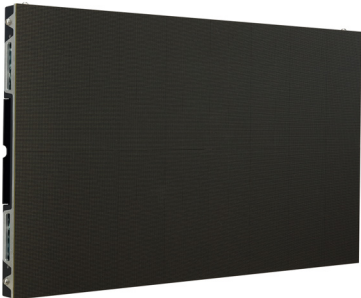
Compatibility with LG Software Solutions

Thanks to LG's high-performance system controller, the LSCB series is compatible with a wide variety of LG software solutions, including SuperSign CMS, LED Assistant, and ConnectedCare, all designed to assist users with their business operations.

*The availability of the 'LG ConnectedCare' service differs by region, and it needs to be purchased separately. So please contact the LG sales representative in your region for more details.
 *The items that can be monitored by LG ConnectedCare : Main Board (Temp, Signal Status, FPGA Ver, Ethernet Connection Status), Receiving Card (Temp, LED Power)

PRODUCT INFORMATION

STANDARD



LSCB Series

Pixel Pitch	1.563 / 1.875 / 2.500 mm
Brightness	800 nits
Cabinet Weight	13.2 lbs / 6.0 kg
Serviceability	Front
IP Rating	IP30

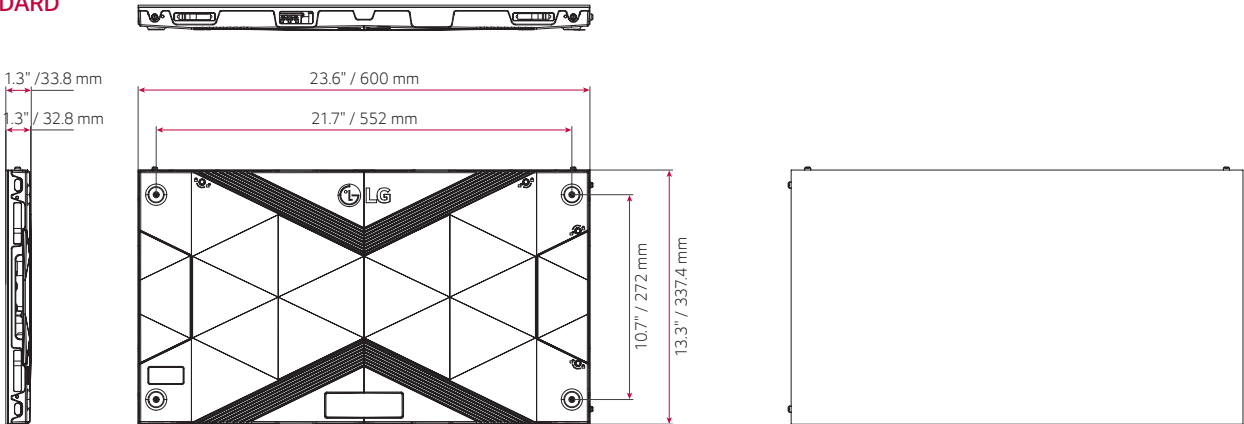
CURVED



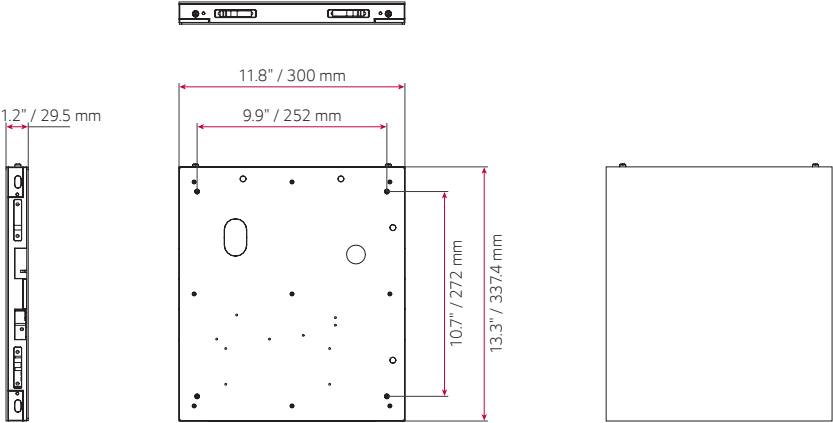
	Standard	Mini (half-width)	Curved
Cabinet	600 × 337.5 mm	300 × 337.5 mm	300 × 337.5 mm
Pixel Pitch 1.5	LSCB015-RK	LSCB015-CK	LSCB015-CKF
Pixel Pitch P1.8	LSCB018-RK	LSCB018-CK	LSCB018-CKF
Pixel Pitch P2.5	LSCB025-RK	LSCB025-CK	LSCB025-CKF

DIMENSIONS

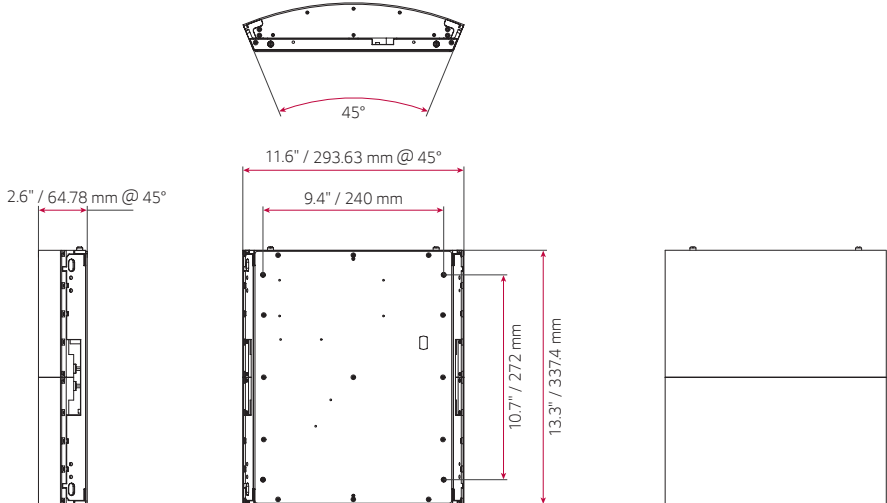
STANDARD



MINI (HALF-WIDTH)



CURVED



* Other curvatures, both concave and convex, available upon request.

SPECIFICATIONS

STANDARD PANEL		LSCB015-RK	LSCB018-RK	LSCB025-RK
PHYSICAL PARAMETERS	Pixel Configuration	3 in 1 SMD	3 in 1 SMD	3 in 1 SMD
	Pixel Pitch (mm)	1.563	1.875	2.500
	Module Resolution (W x H)	192 x 108	160 x 90	120 x 135
	Module Dimensions (W x H)	11.8 x 6.6 in / 300 x 168.75 mm	11.8 x 6.6 in / 300 x 168.75 mm	11.8 x 13.3 in / 300 x 337.5 mm
	Weight per Module	0.74 lbs / 0.34 kg	0.70 lbs / 0.32 kg	1.45 lbs / 0.66 kg
	No. of Modules per Cabinet (WxH)	2 x 2	2 x 2	2 x 1
	Unit Case Resolution (W x H)	384 x 216	320 x 180	240 x 135
	Unit Case Dimensions (W x H x D)	23.6 x 13.3 x 1.3 in / 600 x 337.5 x 33.8 mm	23.6 x 13.3 x 1.3 in / 600 x 337.5 x 33.8 mm	23.6 x 13.3 x 1.3 in / 600 x 337.5 x 33.8 mm
	Unit Case Surface Area	2.2 ft ² / 0.203 m ²	2.2 ft ² / 0.203 m ²	2.2 ft ² / 0.203 m ²
	Weight per Cabinet	11.5 lbs / 5.2 kg	11.5 lbs / 5.2 kg	11.5 lbs / 5.2 kg
	Weight per Square Meter	5.3 lbs/ft ² / 25.7 kg/m ²	5.3 lbs/ft ² / 25.7 kg/m ²	5.3 lbs/ft ² / 25.7 kg/m ²
	Physical Pixel Density	409,600 pixels/m ² 4,408,898 pixels/ft ²	284,444 pixels/m ² 3,061,730 pixels/ft ²	160,000 pixels/m ² 1,722,226 pixels/ft ²
	Flatness of Cabinet	±0.1 mm	±0.1 mm	±0.1 mm
	Cabinet material	Die cast Aluminum alloy	Die cast Aluminum alloy	Die cast Aluminum alloy
	Service access	Front	Front	Front
OPTICAL SPECIFICATIONS	Max Brightness (After Calibration)	800 nits	800 nits	800 nits
	Color Temperature	3,200-9,300 K	3,200-9,300 K	3,200-9,300 K
	Visual Viewing Angle (Horizontal)	160°	160°	160°
	Visual Viewing Angle (Vertical)	160°	160°	160°
	Brightness Uniformity	97%	97%	97%
	Color Uniformity	±0.003CxCy	±0.003CxCy	±0.003CxCy
	Contrast Ratio	5,000:1	5,000:1	5,000:1
Processing Depth	14 bit (HDR10, HDR10 Pro)	14 bit (HDR10, HDR10 Pro)	14 bit (HDR10, HDR10 Pro)	
ELECTRICAL SPECIFICATIONS	Max Power Consumption	150 W	150 W	150 W
	Avg. Power Consumption	50 W	50 W	50 W
	Max Power Consumption per Unit Area	740 W/m ²	740 W/m ²	740 W/m ²
	Max Heat Dissipation per Cabinet	512 BTU/h	512 BTU/h	512 BTU/h
	Avg. Heat Dissipation per Cabinet	171 BTU/h	171 BTU/h	171 BTU/h
	Max Heat Dissipation per Unit Area	2,525 BTU/h/m ²	2,525 BTU/h/m ²	2,525 BTU/h/m ²
	Power Supply	100 to 240 V	100 to 240 V	100 to 240 V
	Frame Rate	50 / 60 Hz	50 / 60 Hz	50 / 60 Hz
	Refresh Rate	3,840 Hz	3,840 Hz	3,840 Hz
OPERATION SPECIFICATIONS	LED Lifetime (Half brightness)	100,000 Hours	100,000 Hours	100,000 Hours
	Operating Temperature	14° F to 113° F / -10° C to 45° C	14° F to 113° F / -10° C to 45° C	14° F to 113° F / -10° C to 45° C
	Operating Humidity	0-80%RH	0-80%RH	0-80%RH
	IP rating Front	IP30	IP30	IP30
IP rating Rear	IP30	IP30	IP30	
REGULATORY & CERTIFICATIONS	CE EMC Class B, FCC, ETL, RoHS	CE EMC Class B, FCC, ETL, RoHS	CE EMC Class B, FCC, ETL, RoHS	
CONTROLLER COMPATIBILITY	CVCA, LCIN006, LCIN008 and LCIN009	CVCA, LCIN006, LCIN008 and LCIN009	CVCA, LCIN006, LCIN008 and LCIN009	
90 DEGREE CORNER CUT AVAILABLE	Yes	Yes	Yes	

SPECIFICATIONS

HALF-WIDTH PANEL		LSCB015-CK	LSCB018-CK	LSCB025-CK
PHYSICAL PARAMETERS	Pixel Configuration	3 in 1 SMD	3 in 1 SMD	3 in 1 SMD
	Pixel Pitch (mm)	1.563	1.875	2.500 mm
	Module Resolution (W x H)	192 x 108	160 x 90	120 x 135 pixels
	Module Dimensions (W x H)	11.8 x 6.6 in / 300 x 168.75 mm	11.8 x 6.6 in / 300 x 168.75 mm	11.8 x 13.3 in / 300 x 337.5 mm
	Weight per Module	0.74 lbs / 0.34 kg	0.70 lbs / 0.32 kg	1.45 lbs / 0.66 kg
	No. of Modules per Cabinet (W x H)	1 x 2	1 x 2	1 x 1
	Unit Case Resolution (W x H)	192 x 216 mm	160 x 180 mm	120 x 135 mm
	Unit Case Dimensions (W x H x D)	23.6 x 13.3 x 1.7 in / 600 x 337.5 x 29.7 mm	23.6 x 13.3 x 1.7 in / 600 x 337.5 x 29.7 mm	11.8 x 13.3 x 1.7 in / 300 x 337.5 x 29.7 mm
	Unit Case Surface Area	1.1ft ² / 0.101 m ²	1.1ft ² / 0.101 m ²	1.1ft ² / 0.101 m ²
	Weight per Cabinet	8.8 lbs / 4.0 kg	8.8 lbs / 4.0 kg	8.8 lbs / 4.0 kg
	Weight per Unit Area	86.0 lbs/ft ² / 39.0 kg/m ²	86.0 lbs/ft ² / 39.0 kg/m ²	8 lbs/ft ² / 39.0 kg/m ²
	Physical Pixel Density	409,600 pixels/m ² 4,408,898 pixels/ft ²	284,444 pixels/m ² 3,061,730 pixels/ft ²	160,000 pixels/m ² 1,722,226 pixels/ft ²
	Flatness of Cabinet	±0.1 mm	±0.1 mm	±0.1 mm
	Cabinet material	Aluminum	Aluminum	Aluminum
	Service access	Front	Front	Front
OPTICAL SPECIFICATIONS	Max Brightness (After Calibration)	800 nits	800 nits	800 nits
	Color Temperature	3,200-9,300 K	3,200-9,300 K	3,200-9,300 K
	Visual Viewing Angle (Horizontal)	160°	160°	160°
	Visual Viewing Angle (Vertical)	160°	160°	160°
	Brightness Uniformity	97%	97%	97%
	Color Uniformity	±0.003CxCy	±0.003CxCy	±0.003CxCy
	Contrast Ratio	5,000:1	5,000:1	5,000:1
	Processing Depth	14 bit (HDR10, HDR10 Pro)	14 bit (HDR10, HDR10 Pro)	14 bit (HDR10, HDR10 Pro)
ELECTRICAL SPECIFICATIONS	Max Power Consumption	75 W	75 W	75 W
	Avg. Power Consumption	25 W	25 W	25 W
	Max Power Consumption per Unit Area	740 W/m ²	740 W/m ²	740 W/m ²
	Max Heat Dissipation per Cabinet	256 BTU/h	256 BTU/h	256 BTU/h
	Avg. Heat Dissipation per Cabinet	85 BTU/h	85 BTU/h	85 BTU/h
	Max Heat Dissipation per Unit Area	2,525 BTU/h/m ²	2,525 BTU/h/m ²	2,525 BTU/h/m ²
	Power Supply	100 to 240 V	100 to 240 V	100 to 240 V
	Frame Rate	50 / 60 Hz	50 / 60 Hz	50 / 60 Hz
	Refresh Rate	3,840 Hz	3,840 Hz	3,840 Hz
OPERATION SPECIFICATIONS	LED Lifetime (Half brightness)	100,000 Hours	100,000 Hours	100,000 Hours
	Operating Temperature	14° F to 113° F / -10° C to 45° C	14° F to 113° F / -10° C to 45° C	14° F to 113° F / -10° C to 45° C
	Operating Humidity	0-80%RH	0-80%RH	0-80%RH
	IP rating Front	IP30	IP30	IP30
	IP rating Rear	IP30	IP30	IP30
REGULATORY & CERTIFICATIONS	CE EMC Class-B, FCC, ETL, RoHS	CE EMC Class-B, FCC, ETL, RoHS	CE EMC Class-B, FCC, ETL, RoHS	
CONTROLLER COMPATIBILITY	CVCA, LCIN006, LCIN008 and LCIN009	CVCA, LCIN006, LCIN008 and LCIN009	CVCA, LCIN006, LCIN008 and LCIN009	
90 DEGREE CORNER CUT AVAILABLE	Yes	Yes	Yes	

SPECIFICATIONS

CURVED PANEL		LSCB015-CKF	LSCB018-CKF	LSCB025-CKF
PHYSICAL PARAMETERS	Pixel Configuration	3 in 1 SMD	3 in 1 SMD	3 in 1 SMD
	Pixel Pitch (mm)	1.563 mm	1.875 mm	2.500 mm
	Module Resolution (W x H)	192 x 108 pixels	160 x 90 pixels	120 x 135 pixels
	Module Dimensions (W x H)	11.8 x 6.6 in / 300 x 168.75 mm	11.8 x 6.6 in / 300 x 168.75 mm	11.8 x 13.3 in / 300 x 337.5 mm
	Weight per Module	1.47 lbs / 0.67 kg	1.47 lbs / 0.67 kg	3.08 lbs / 1.40 kg
	No. of Modules per Cabinet (WxH)	1 x 2	1 x 2	1 x 1
	Unit Case Resolution (W x H)	192 x 216 mm	160 x 180 mm	120 x 135 mm
	Unit Case Dimensions (W x H x D)	11.8 x 13.3 x 1.4 in / 300 x 337.5 x 35.6 mm (Cabinet Mounting depth)	11.8 x 13.3 x 1.4 in / 300 x 337.5 x 35.6 mm (Cabinet Mounting depth)	11.8 x 13.3 x 1.4 in / 300 x 337.5 x 35.6 mm (Cabinet Mounting depth)
	Unit Case Surface Area	1.1ft ² / 0.101 m ²	1.1ft ² / 0.101 m ²	1.1ft ² / 0.101 m ²
	Weight per Cabinet	6.8 lbs / 3.1 kg	6.8 lbs / 3.1 kg	6.8 lbs / 3.1 kg
	Weight per Unit Area	6.3 lbs/ft ² / 30.6 kg/m ²	6.3 lbs/ft ² / 30.6 kg/m ²	6.3 lbs/ft ² / 30.6 kg/m ²
	Physical Pixel Density	409,600 pixels/m ² 4,408,898 pixels/ft ²	284,444 pixels/m ² 3,061,730 pixels/ft ²	160,000 pixels/m ² 1,722,226 pixels/ft ²
	Flatness of Cabinet	±0.1 mm	±0.1 mm	±0.1 mm
	Cabinet material	Aluminum	Aluminum	Aluminum
	Service access	Front	Front	Front
	OPTICAL SPECIFICATIONS	Max Brightness (After Calibration)	800 nits	800 nits
Color Temperature		3,200-9,300 K	3,200-9,300 K	3,200-9,300 K
Visual Viewing Angle (Horizontal)		160°	160°	160°
Visual Viewing Angle (Vertical)		160°	160°	160°
Brightness Uniformity		97%	97%	97%
Color Uniformity		±0.003CxCy	±0.003CxCy	±0.003CxCy
Contrast Ratio		5,000:1	5,000:1	5,000:1
Processing Depth		14 bit (HDR10, HDR10 Pro)	14 bit (HDR10, HDR10 Pro)	14 bit (HDR10, HDR10 Pro)
ELECTRICAL SPECIFICATIONS	Max Power Consumption	75 W	75 W	75 W
	Avg. Power Consumption	25 W	25 W	25 W
	Max Power Consumption per Unit Area	740 W/m ²	740 W/m ²	740 W/m ²
	Avg. Heat Dissipation per Cabinet	256 BTU/h	256 BTU/h	256 BTU/h
	Max Heat Dissipation per Unit Area	85 BTU/h	85 BTU/h	85 BTU/h
	Max Heat Dissipation per Unit Area	2,525 BTU/h/m ²	2,525 BTU/h/m ²	2,525 BTU/h/m ²
	Power Supply	100 to 240 V	100 to 240 V	100 to 240 V
	Frame Rate	50 / 60 Hz	50 / 60 Hz	50 / 60 Hz
	Refresh Rate	3,840 Hz	3,840 Hz	3,840 Hz
OPERATION SPECIFICATIONS	LED Lifetime (Half brightness)	100,000 Hours	100,000 Hours	100,000 Hours
	Operating Temperature	14° F to 113° F / -10° C to 45° C	14° F to 113° F / -10° C to 45° C	14° F to 113° F / -10° C to 45° C
	Operating Humidity	0-80%RH	0-80%RH	0-80%RH
	IP rating Front	IP30	IP30	IP30
	IP rating Rear	IP30	IP30	IP30
REGULATORY & CERTIFICATIONS	CE EMC Class B, FCC, ETL	CE EMC Class B, FCC, ETL	CE EMC Class B, FCC, ETL	
CONTROLLER COMPATIBILITY	CVCA, LCIN006, LCIN008 and LCIN009	CVCA, LCIN006, LCIN008 and LCIN009	CVCA, LCIN006, LCIN008 and LCIN009	
90 DEGREE CORNER CUT AVAILABLE	Yes	Yes	Yes	

CONTROLLER SPECIFICATIONS

LSCB CONTROLLER OPTIONS		CVCA	LCIN006	LCIN008	LCIN009
MAX OUTPUT RANGE	Loading Capacity	3840 x 2160 @ 60Hz	1920 x 1200 @ 60Hz	4096 x 2160 @ 60Hz	1920 x 1200 @ 60Hz
	Max Output Range	-	Maximum Width: 3840 pixels, Maximum Height: 2560 pixels	Maximum Width: 7680 pixels, Maximum Height: 7680 pixels	Maximum Width: 3840 pixels, Maximum Height: 2560 pixels
	Output Resolution	8.2944 Million Pixels	2.304 Million Pixels	8.8 Million Pixels	2.304 Million Pixels
INPUT	HDMI	HDMI 2.0	HDMI 1.3	HDMI 2.0	HDMI 1.4
	HDCP	HDCP 2.2	HDCP 1.4	HDCP 1.4/2.2	HDCP 1.4
	DP	DP 1.2 / HDCP 2.2	No	DP 1.2 / HDCP 1.3	X
	DVI	No	Yes	Yes (2-channel)	Yes
	SDI	No	No	No	Yes (1-channel 3G-SDI)
OUTPUT	OPS	Yes	No	No	No
	HDMI	No	No	No	Yes (LOOP)
	DVI	No	No	No	Yes (LOOP)
	Optic (To LED Screen)	No	No	Yes (4-channel)	Yes (2-channel)
CONTROL	Ethernet (To LED Screen)	Yes (16-channel)	Yes (4-channel)	Yes (16-channel)	Yes (6-channel)
	LAN	Yes	No	Yes	Yes
	USB	No	Yes	Yes (LOOP)	Yes
	RS-232C	Yes (LOOP)	No	No	No
SENSOR	GenLock	No	No	Yes	Yes
	Ambient Light	No	Yes	Yes	Yes
VIDEO PROCESSING	Temperature	Yes	No	No	No
	Brightness Adjustment	Yes	Yes	Yes	Yes
	Chroma Adjustment	Yes	Yes	Yes	Yes
	Improved Grayscale at Low Brightness	Yes	No	Yes	Yes
	Scaling	Yes	No	No	No
	HDR	HDR10 Pro	No	HDR10 / HLG	No
SOFTWARE / APPS	EDID Custom	No	Yes	Yes	Yes
	CMS	SuperSign CMS	No	No	No
	webOS API	Yes	No	No	No
	LG ConnectedCare	Yes	No	No	No
MECHANICAL	Configuration SW	LED Assistant	NovaLCT	NovaLCT	NovaLCT
	Size (W x H x D)	17.4 x 2.5 x 12.1 in / 443 x 63 x 307.5 mm	190 x 1.7 x 9.8 in / 482 x 44.4 x 250	19.0 x 3.8 x 14.6 in / 482.6 x 96 x 372	19.0 x 2.0 x 14.0 in / 482.6 x 50.1 x 356
	Weight	10.8 lbs / 4.9 kg	7.9 lbs / 3.6 kg	10.1 lbs / 4.6 kg	10.1 lbs / 4.6 kg