

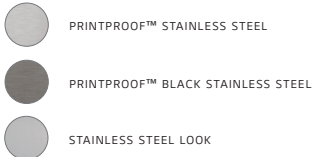
LG REFRIGERATION

LRFWS2906_

3-Door French Door Refrigerator

Large Capacity
 External Water Dispenser with LED Light
 Factory Installed Ice Maker
 SmartPull™ Handle
 PrintProof™ Finish
 2 Humidity Crisper Bins
 ENERGY STAR® Qualified
 Sabbath Mode

AVAILABLE COLORS



CAPACITY

Refrigerator (cu.ft.)	19.5 cu.ft.
Freezer (cu.ft.)	9.5 cu.ft.
Total Capacity (cu.ft.)	29 cu.ft.

ENERGY

ENERGY STAR® Qualified	ENERGY STAR®
Energy Consumption (kWh/Year)	653

WATER & ICE SYSTEM

Ice & Water Dispenser	Water Dispenser
Dispenser Type	Integrated Tall Water Dispenser
Daily Ice Production (lbs)	2.5 lbs
IcePlus™ Production (lbs)	2.7 lbs
Ice Storage Capacity (lbs)	4.0 lbs
Dispenser Light	Yes
Water Filter	LT1000P

COOLING

Compressor Type	Smart Inverter Compressor
Door Cooling+	Yes
Multi-Air Flow™ System	Yes
Temperature Sensors	6
Fresh Air Filter	Yes
Evaporator	1

CONVENIENCE

Smart Diagnosis	Yes
Display Type	Membrane / White LED
Temperature Controls	Electronic/Digital
Door Alarm	Yes
Child Lock	Yes
Auto Closing Door Hinge	Yes
Sabbath Mode	Yes

REFRIGERATOR

No. of Shelves	4 Split(3 Fixed + 1 Folding)
Folding Shelf	1
Cantilevered Shelves	Hybrid Cantilevered
Shelf Construction	Spill Protector™ Tempered Glass
Crisper Bins	2 Humidity Crispers
Glide N' Serve™ Drawer	Yes
Refrigerator Light	Ceiling LED
Handle Type	Bar

REFRIGERATOR DOOR

No. of Bins	6 Total (2 Adjustable Gallon Sized)
Door Bin Construction	1 Piece (Clear)



FREEZER

Door Type	Pull Drawer
Drawers	2-Tier Organization
DuraBase™ Solid Drawer Base	Yes
Drawer Divider	Yes
Ice Bin / In-Door Ice	Ice Bin
Freezer Light	LED Lighting
Freezer Handle	SmartPull™ Handle

MATERIALS AND FINISHES

Contour Door	Yes
Hidden Hinges	Yes
Surface	Smooth
Fingerprint & Smudge Resistant Exterior	Yes
Handles	Matching Commercial Handles
All Available Colors	PrintProof™ Stainless Steel PrintProof™ Black Stainless Steel Stainless Steel Look

DIMENSIONS/CLEARANCES/WEIGHTS

Depth with Handles	36 1/4"
Depth without Handles	33 3/4"
Depth without Door	29 7/8"
Depth (Total with Door Open)	48 5/8"
Height to Top of Case	68 1/2"
Height to Top of Door Hinge	69 3/4"
Width	35 3/4"
Width (Door Open 90° with Handle)	44 1/4"
Width (Door Open 90° without Handle)	39 1/4"
Door Edge Clearance with Handle	4 1/2"
Door Edge Clearance without Handle	1 3/8"
Installation Clearance	Sides 1/8", Top 1", Back 2"
Weight (Unit/Carton)	295 lbs. / 320 lbs.
Carton Dimensions (WxHxD)	38" x 73" x 39"

LIMITED WARRANTY

Parts & Labor	1 Year
Sealed System (Parts & Labor)	5 Years
Compressor (Parts & Labor)	5 Years
Smart Inverter Compressor (Parts Only)	5 Years

UPC CODES

LRFWS2906S (PrintProof™ Stainless Steel)	195174002278
LRFWS2906D (PrintProof™ Black Stainless Steel)	195174002292
LRFWS2906V (Stainless Steel Look)	195174011225

LG REFRIGERATION

LRFWS2906_

3-Door French Door Refrigerator

QUICK INSTALL & CLEARANCES

For full installation directions/clearances please refer to the corresponding User Manual and Installation Guide.

DIMENSIONS/CLEARANCES/WEIGHTS

A Depth without Door	29 7/8"
B Depth with Handles	36 1/4"
C Depth without Handles	33 3/4"
D Depth (Total with Door Open 90°)	48 5/8"
E Width	35 3/4"
F Width (Door Open 90° with Handle)	44 1/4"
G Width (Door Open 90° without Handle)	39 1/4"
H Width (Door Open Fully)	FPO
I Door Edge Clearance with Handle (Not Shown)	4 1/2"
J Door Edge with Clearance without Handle (Not Shown)	1 3/8"
K Height to Top of Case	68 1/2"
L Height to Top of Door Hinge	69 3/4"
M Back Clearance	2"
Installation Clearances	Sides 1/8", Top 1", Back 2"
Carton Dimensions (WxHxD)	38" x 73" x 39"
ENERGY	
Energy Consumption (kWh/Year)	653
ENERGY STAR® Qualified	ENERGY STAR®

CHOOSING THE PROPER LOCATION

WATER

Select a place where a water supply can be easily connected for the automatic

NOTE

- The water pressure must be 20 – 120 psi or 138 – 827 kPa or 1.4 – 8.4 kgf/cm². If the refrigerator is installed in an area with low water pressure (below 20 psi), you can install a booster pump to compensate for the low pressure.

ELECTRICITY

The refrigerator should always be plugged into its own individual properly grounded electrical outlet rated for 115 Volts, 60 Hz, AC only, and fused at 15 or 20 amperes. This provides the best performance and also prevents overloading house wiring circuits which could cause a fire hazard from overheated wires. It is recommended that a separate circuit serving only this appliance be provided.

WARNING

- To reduce the risk of electric shock, do not install the refrigerator in a wet or damp area.

FLOORING

To avoid noise and vibration, the unit must be leveled and installed on a solidly constructed floor. If required, adjust the leveling legs to compensate for the unevenness of the floor. The front should be slightly higher than the rear to aid in door closing. Leveling legs can be turned easily by tipping the cabinet slightly. Turn the leveling legs to the left to raise the unit or to the right to lower it.

NOTE

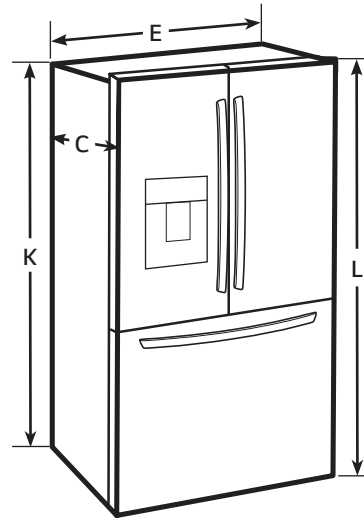
- Installing on carpeting, soft tile surfaces, a platform or weakly supported structure is not recommended.

AMBIENT TEMPERATURE

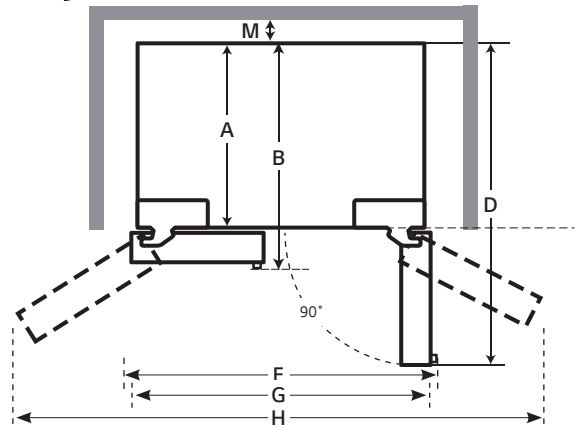
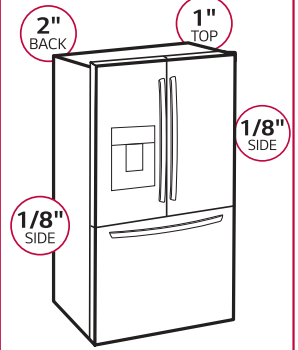
Install this appliance in an area where the temperature is between 55°F (13°C) and 110°F (43°C). If the temperature around the appliance is too low or high, cooling ability may be adversely affected.



PRODUCT DIMENSIONS

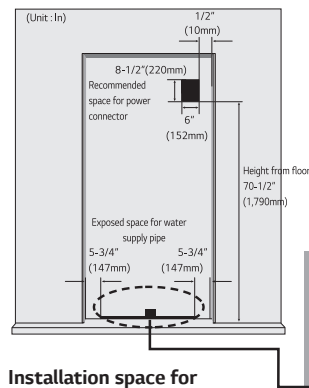


CLEARANCES



CONNECTING POWER AND SECURING SPACE FOR WATER SUPPLY PIPE

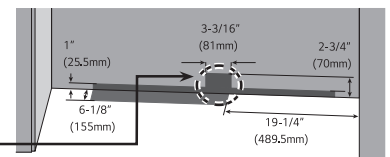
- Make sure the location of the water supply pipe is within the marked range.
- Before connecting the power, always make sure to ground the product. (If the product is not grounded, the user may be able to feel the electricity due to the minute leakage current when touching the refrigerator door handle or side corner even when there is no issue with the product.)
- Do not ground the product to gas pipe, plastic water pipe or telephone wire etc. It can cause electric shock and explosion.



Power connection

The location of the 115V 60Hz power connector must be located on the rear side of the product as shown in the picture.

When installing the product, make sure to check whether the cord is hung on the hook on the rear side so that it is not pressed on the refrigerator. Damaged power cord can cause a fire.



Installation space for water supply pipe

Place the water hose for ice maker and water dispenser as shown in the picture, and prepare hose to come up from the floor. (Copper pipe with diameter of 5/16" (8mm) is recommended for the water hose.) If the water pipe and water hose is located far from the product, bury the water hose on the floor and provide appropriate treatment.