

## LG DISHWASHERS

# LDT7808

Top Control wi-fi Enabled Dishwasher with QuadWash™ and TrueSteam®

### 10 Wash Cycles

QuadWash™

TrueSteam®

SmartThinQ® Technology with wi-fi

LoDecibel™ Quiet Operation (42 dBA)

Inverter Direct Drive™ Technology

EasyRack™ Plus System

Height Adjustable 3rd Rack

Smooth Operating Racks

LED Tub Light

ENERGY STAR® Qualified

Tub Material - NeveRust™ Stainless Steel



Enjoy new ways to control your home with LG smart appliances

- Get notifications when dishes are clean
- Monitor the cycle time from your smartphone
- Works with the LG SmartThinQ® app

SmartThinQ®



| CAPACITY                              |   |
|---------------------------------------|---|
| Total Place Settings                  | 15  |
| Upper Rack Dish Height Limit          | 7.1"  |
| Lower Rack Dish Height Limit          | 12.5"   |
| RACKS AND BASKETS                     |   |
| EasyRack™ Plus System                 | Yes   |
| Cutlery Baskets                       | Yes   |
| Cup Rack                              | Yes   |
| Stemware Holder                       | Yes   |
| Fold Down Tines                       | Yes (Full Fold on Upper & Full Fold on Lower)   |
| BPA-Free Nylon Coated Racks and Tines | Yes   |
| Rack Handle                           | Yes (Upper) Yes (Lower)   |
| Glide Rail (Upper Rack)               | Yes   |
| Wheel Bearing (Lower Rack)            | Yes   |
| Height Adjustable Upper Rack          | Yes   |
| Height-Adjustable 3rd Rack            | Yes   |
| STYLE AND DESIGN                      |   |
| Control Panel Location                | Top Control   |
| Electronic Controls                   | Fully Integrated Control Panel  |
| SignalLight™ Cycle Indicator Lights   | 3   |
| Time Remaining Indicator              | Yes (LED)   |
| Tub Material                          | NeveRust™ Stainless Steel   |
| Tub Light                             | Yes   |
| Handle                                | Bar Handle  |
| All Available Colors                  | Stainless Steel, Black Stainless Steel, Matte Black Stainless Steel, PrintProof™ Stainless Steel          |
| Fingerprint Resistant                 | Yes (only LDT7808BM, LDT7808BD, & LDT7808SS)  |
| FEATURES                              |   |
| TrueSteam®                            | Yes   |
| QuadWash™                             | Yes   |
| Inverter Direct Drive Motor           | Yes   |
| LoDecibel™ Quiet Operation            | 42 dBA  |
| Number of Wash Cycles                 | 10 (Auto, Heavy, Delicate, Refresh, Normal, Turbo, Download Cycle, Machine Clean, Rinse, Express)         |
| Number of Options                     | 9 (Dual Zone, Half Load, Energy Saver, Steam, High Temp, Extra Dry, Delay Start, Control Lock, Night Dry) |
| Number of Spray Arms                  | 3 (Top, Upper, Lower)   |
| SenseClean™ Wash System               | Yes   |
| Vario Wash                            | Yes   |
| Detergent and Rinse-Aid Dispenser     | Yes   |



| Hybrid Condensing Drying System  | Yes                                      |
|--|--|
| End of Cycle Indicator   | Yes (Beeper + END indication on display) |
| Hidden Water Heater  | Yes                                      |
| Safety Float Switch (Leaks)  | Yes                                      |
| Soil (Turbidity) Sensor  | Yes                                      |
| Tub Insulation (Damping Sheet, Sound Absorbing Material (felt), Base)              | Yes                                      |
| BPA-Free Nylon Coated Racks and Tines  | Yes                                      |
| Anti-Bacterial Treatment (Sump, Inner / Outer filter, Drain pump case, Drain hose) | Yes                                      |
| Balanced Door  | Yes                                      |
| 3-Stage Filtration System  | Yes                                      |
| SmartThinQ® SMART FEATURES   |  |
| wi-fi Enabled  | Yes                                      |
| Voice Activation   | Yes                                      |
| Works with   | Google Assistant and Amazon Alexa        |
| SmartDiagnosis™  | Yes                                      |
| POWER RATINGS  |  |
| ENERGY STAR® Qualified   | Yes                                      |
| CEE Tier   | 1  |
| Energy Use (kWh/Year)  | 258 kWh/Year                             |
| Water Factor (WF)  | 2.8                                      |
| DIMENSIONS / CLEARANCES / WEIGHT   |  |
| Product Dimensions (in) (W x H x D)  | 23 3/4" x 33 5/8" x 24 5/8"              |
| Product Weight (lbs)   | 92.2 lbs                                 |
| Depth with Door Closed with Handle (in)  | 26 7/8"                                  |
| Depth with Door Open (in)  | 50 1/2"                                  |
| Carton Dimensions (in) (W x H x D)   | 28" x 34 3/4" x 29 5/8"                  |
| Shipping Weight with Carton (lbs)  | 104.3 lbs                                |
| LIMITED WARRANTY   |  |
| Labor  | 1 Year                                   |
| Parts  | 1 Year                                   |
| Control Board and Rack Parts   | 5 Years                                  |
| Direct Drive Motor   | 10 Years                                 |
| Stainless Steel Door Liner or Tub  | Lifetime                                 |
| UPC CODES  |  |
| LDT7808BM (Matte Black Stainless Steel)  | 048231339926                             |
| LDT7808BD (Black Stainless Steel)  | 048231339919                             |
| LDT7808ST (Stainless Steel)  | 048231339803                             |
| LDT7808SS (PrintProof™ Stainless Steel)  | 048231341165                             |

## LG DISHWASHERS

# LDT7808

Top Control wi-fi Enabled Dishwasher with QuadWash™ and TrueSteam®

## QUICK INSTALL & CLEARANCES

For full installation directions/clearances please refer to the corresponding User Manual and Installation Guide.

### DIMENSIONS / CLEARANCES / WEIGHT

|   |                             |
|---|-----------------------------|
| Product Dimensions (in) (W x H x D)     | 23 3/4" x 33 3/5" x 24 3/5" |
| Depth with Door Closed with Handle (in) | 26 7/8"                     |
| Depth with Door Open (in)               | 50 1/2"                     |
| Carton Dimensions (in) (W x H x D)      | 28" x 34 7/10" x 29 3/5"    |

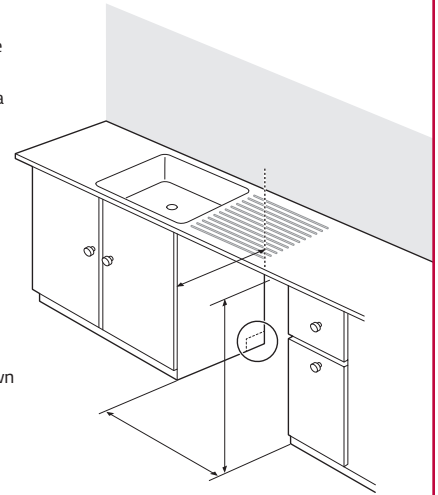
### POWER RATINGS

|                        |              |
|------------------------|--------------|
| ENERGY STAR® Qualified | Yes          |
| CEE Tier               | 1            |
| Energy Use (kWh/Year)  | 258 kWh/Year |
| Water Factor (WF)      | 2.8          |



### PREPARING CABINET OPENING

- This dishwasher is designed to fit a standard dishwasher opening. An opening may be needed on both sides to route plumbing and electrical connections.
- Select a location as close to the sink as possible for easy connections to water and drain lines.
- To ensure proper drainage, install the dishwasher no more than 12 ft. from the sink.
- If installing the dishwasher in a corner, leave a minimum of 2" between the dishwasher and the adjacent wall.
- To allow for proper clearance of plumbing and electrical, use the template included with the literature to determine the clearance on the side of the cabinet where the cabinet meets the back wall. Using a 2 1/2" diameter hole saw, drill a hole in the target area as shown on the template.



### ⚠ WARNING

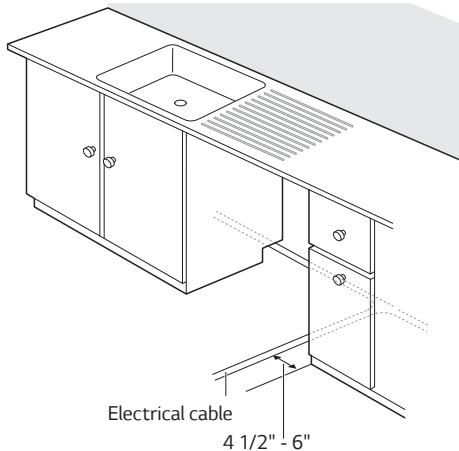
Don't use existing holes unless they are in the target area. Otherwise, the water supply and drain hose may be damaged by being crushed or kinked.

### ⚠ CAUTION

Failure to properly locate the hole for the water and drain lines may prevent the dishwasher from installing flush with the cabinets and could result in kinked or damaged lines. Installation damage is not covered by the warranty, and leaks caused by improper installation may result in property damage.

### PREPARING ELECTRICAL WIRING

- Operate this appliance with the correct voltage as shown in your User Manual and on the rating plate. Connect it to a dedicated, properly grounded branch circuit which is protected by a time delay fuse. Connect the appliance using 3-wires, including a ground wire.
- If an outlet and other power connector are used, it should be in an accessible location adjacent to and not behind the dishwasher and within 4 ft. of the dishwasher's side.
- The wiring must be grounded properly. If in doubt, have it checked by a qualified electrician. Do not connect any other appliance to the same outlet.
- Route the wiring.
- Make sure the electrical cable is oriented in the right side channel.

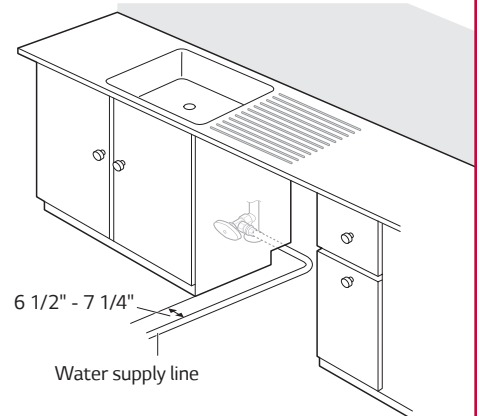


### ⚠ WARNING

- For personal safety, remove house fuse or open circuit breaker before installation.
- Do not use an extension cable or adapter with this dishwasher
- If you find any damage to the dishwasher, contact your retailer or contractor.

### PREPARING WATER SUPPLY CONNECTION

- Make sure the house water supply is turned off before connecting the dishwasher water lines.
- Connect the dishwasher to a hot water supply with a temperature range between 120 °F (49 °C) and 149 °F (65 °C). This temperature range provides the best washing results and shortest cycle time. To prevent damage to dishes, the temperature should not exceed 149 °F (65 °C).
- When connecting the dishwasher water line, sealing tape or compound should be used on pipe threads to avoid leaks. Tape or compound should not be used on compression fittings.
- The water supply tube must be located in the left side channel.



### NOTE

Use new hoses when connecting to the water supply. Do not reuse old hoses.