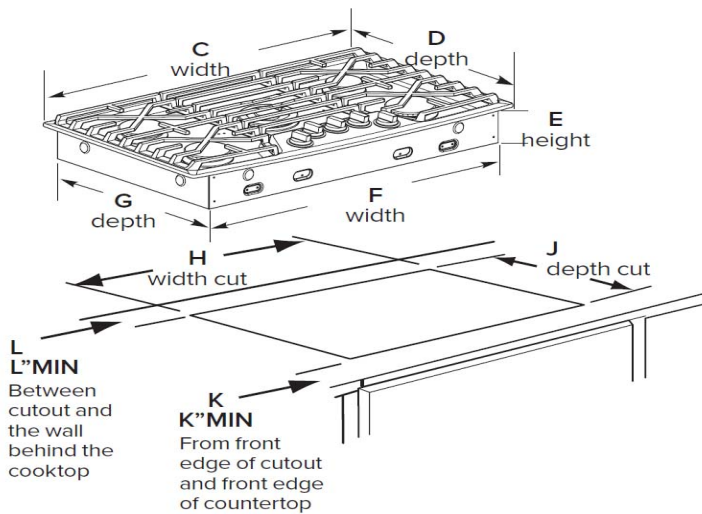


COOKTOP BURNER SIZE /WATTAGE / BTU (SIMMER / BTU)

Left Rear	9,100 / 9,100	1600
Left Front	9,100 / 9,100	1600
Right Rear	5,000 / 5,000	1300
Right Front	12,000 / 9,500	2200
Center (Warming Zone)	17,000 / 11,000	2300
No. of Burners	5	
Fuel Type	LNG / LPG	



Cooktop and cutout dimensions



DIMENSIONS / WEIGHT

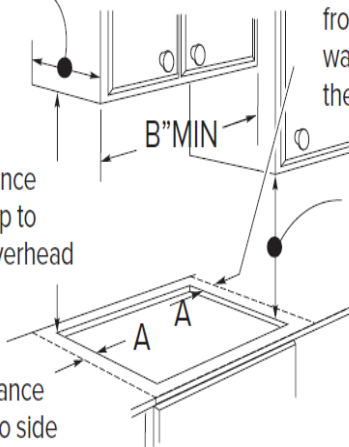
Min. spacing Left and Right	A	11"
Cabinet Width	B	30"
Width	C	30"
Depth	D	21-11/16"
Height	E	3-3/4"
Insert Width	F	28-1-4"
Insert Depth	G	19-3/8"
Width_Cutout	H	28-1/2"
Depth_Cutout	J	19-11/16"
Minimum Front Countertop Clearance	K	1-5/8"
Minimum Spacing to Back Wall	L	2-3/4"

- Maintain the following minimum clearance dimensions

13" MAX. Depth of unprotected overhead cabinets

30" MIN. clearance from countertop to unprotected overhead surface

A" MIN. clearance from cutout to side wall on the left of unit.



A" MIN. clearance from cutout to side wall on the right of the unit

18" MIN. height from countertop to nearest cabinet on either side of unit

POWER / RATINGS / UPC CODE / WARRANTY

Rating	120V/ 60 Hz AC
Electric Supply	120 V/ 60Hz AC
Net Weight	44.53lbs
Gross Weight	53.57lbs
Package Height	10-1/2"
Package Depth	25-31/32"
Package Width	34-9/16"
UPC	048231 317306
Limited Warranty	1 year