



KRAMER ELECTRONICS LTD.

# USER MANUAL

MODEL:

**MODULAR UTBUS-1x1**  
Under the Table Connection  
Bus

---

P/N: 2900-300076 Rev 2

## UTBUS-1xl Quick Start Guide

This page guides you through a basic installation and first-time use of your **UTBUS-1xl**. For more detailed information, see the **UTBUS-1xl** user manual. You can download the latest manual at <http://www.kramerselectronics.com>.

### Step 1: Check what's in the box

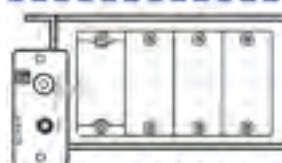
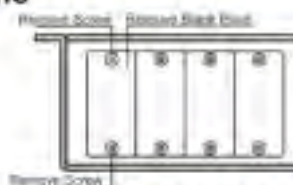
- UTBUS-1xl** Under the Table Connection Bus
- 4 mounting wood screws
- 6 self locking ties
- 1 Quick start guide
- 1 User Manual



Save the original box and packaging materials in case your Kramer product needs to be returned to the factory for service.

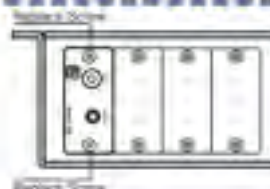
### Step 2: Connect the wall plate items

Unscrew the two screws that attach the blank plate to the connecting surface and remove the blank plate (save the two screws).



Place the required wall plate insert item into the opening.

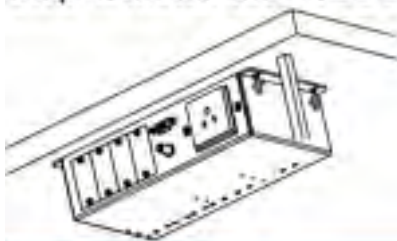
Reinsert the two screws to affix the wall plate insert in position, and tighten them.



### Step 3: Install the cables

Connect the cables to the inside of the **UTBUS-1xl** and secure them with the self-locking ties.

### Step 4: Install the UTBUS-1xl to the table



Mark the correct location and insert the four M4 2X15 wood screws into the four rim screw holes and fix the **UTBUS-1xl** to the table.

# Contents

<b>1</b>	<b>Introduction</b>	<b>1</b>
<b>2</b>	<b>Getting Started</b>	<b>2</b>
2.1	Achieving the Best Performance	2
2.2	Glossary	2
<b>3</b>	<b>Overview</b>	<b>3</b>
<b>4</b>	<b>Your UTBUS-1xl Enclosure</b>	<b>4</b>
4.1	Power Socket Options	5
4.2	Power Cord Options	6
<b>5</b>	<b>Installing the UTBUS-1xl</b>	<b>7</b>
5.1	Installing the Required Wall Plate Inserts	7
5.2	Installing the Cables	8
5.3	Connect the Kramer TOOL or Pico TOOL (Optional)	8
5.4	Securing the UTBUS-1xl Enclosure to the Table	10
<b>6</b>	<b>Technical Specifications of the Assembled UTBUS-1xl</b>	<b>11</b>

## Figures

Figure 1:	UTBUS-1xl under a Table	3
Figure 2:	UTBUS-1xl Under the Table Connection Bus	4
Figure 3:	Installing a Kramer TOOL	9
Figure 4:	Securing the UTBUS-1xl to the Underneath of the Table	10

---

# 1 Introduction

Welcome to Kramer Electronics! Since 1981, Kramer Electronics has been providing a world of unique, creative, and affordable solutions to the vast range of problems that confront the video, audio, presentation, and broadcasting professional on a daily basis. In recent years, we have redesigned and upgraded most of our line, making the best even better!

Our 1,000-plus different models now appear in 11 groups that are clearly defined by function: GROUP 1: Distribution Amplifiers, GROUP 2: Switchers and Matrix Switchers, GROUP 3: Control Systems, GROUP 4: Format/Standards Converters, GROUP 5: Range Extenders and Repeaters, GROUP 6: Specialty AV Products, GROUP 7: Scan Converters and Scalers, GROUP 8: Cables and Connectors, GROUP 9: Room Connectivity, GROUP 10: Accessories and Rack Adapters and GROUP 11: Sierra Products.

Thank you for purchasing the Kramer **UTBUS-1xI**, which is ideal for boardrooms, conference and training rooms!

---

## 2 Getting Started

We recommend that you:

- Unpack the equipment carefully and save the original box and packaging materials for possible future shipment
- Review the contents of this user manual
- Use Kramer high-performance high-resolution cables



Go to <http://www.kramerelectronics.com> to check for up-to-date user manuals, a complete list of Kramer wall plates and module connectors, application programs, and to check if firmware upgrades are available (where appropriate).

### 2.1 Achieving the Best Performance

To achieve the best performance:

- Use only good quality connection cables to avoid interference, deterioration in signal quality due to poor matching, and elevated noise levels (often associated with low quality cables)
- Avoid interference from neighboring electrical appliances that may adversely influence signal quality
- Position your Kramer **UTBUS-1xI** away from moisture, excessive sunlight and dust

### 2.2 Glossary

<b>Universal socket</b>	The Universal socket fits almost all power cords, worldwide
<b>Insert</b>	The insert is fitted in the inner frame. Go to our Web site to check for a variety of single and dual sized inserts

---

## 3 Overview

The **UTBUS-1xl** is a furniture-mounted connection bus that is easily installed underneath a wooden table or podium top. The unit is sturdy, cost-effective, and easy to install.

The **UTBUS-1xl**:

- Includes two permanent components suitable for connecting a PC: one 15-pin HD connector and one stereo audio 3.5mm mini jack
- Is modular in design, letting you install up to four wall plate inserts, according to your requirements
- Has a power socket opening that is suitable for any of the following power sockets: for the USA, Germany (the Europlug), Belgium-France, Italy, Australia, Israel, South Africa or “Universal” for use anywhere (see compatibility restrictions in [Section 6](#))  
Order the power sockets separately from Kramer Electronics
- Lets you install a Kramer TOOL or Pico TOOL inside the body of the **UTBUS-1xl**

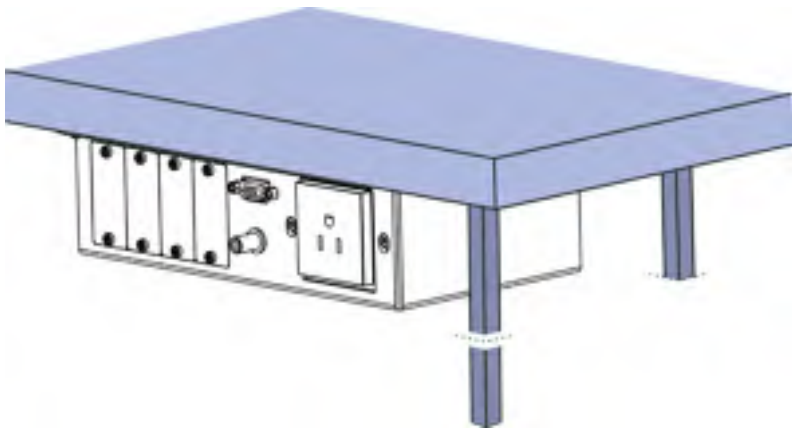


Figure 1: UTBUS-1xl under a Table

## 4 Your UTBUS-1xl Enclosure

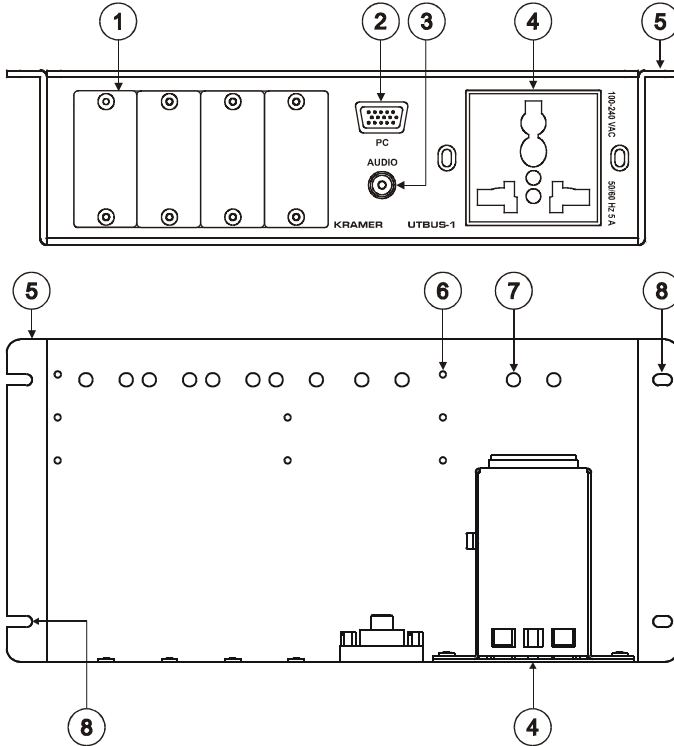


Figure 2: UTBUS-1xl Under the Table Connection Bus

#	Feature	Function
1	Blank Plates	Four blank covers that can be replaced with wall plate inserts as required (see <a href="#">Section 5.1</a> )
2	Computer Graphics 15-pin HD (female / female) Connector	For pass-through computer graphics signals
3	3.5mm stereo Audio (Female / Female) Connector	For pass-through audio signals
4	Universal Power Socket	Suitable for international power requirements (available with other types of power sockets)
5	Outer Rim	For mounting under the table
6	TOOL Mounting Holes (8)	Screw in the appropriate holes to install a Kramer TOOL or Pico TOOL
7	Tie Holes (12)	Insert the self-locking tie through the holes to fix the pass-through cables to the inside walls of the <b>UTBUS-1xl</b>
8	Rim Screw Holes (4)	For fixing the <b>UTBUS-1xl</b> under the table (including two open screw holes)

## 4.1 Power Socket Options

A choice of power sockets per inner frame is available in several versions, including power sockets for the USA, Germany (the Europlug), Belgium-France, Italy, South Africa, Israel and Australia. A “Universal” socket for general use is also available (see the compatibility restrictions in the table below).

Power Socket Type	Power Specs	Power Socket Type	Power Specs
Universal: 	<b>TS-1U (80-000899)</b>  100-240V AC, 50/60Hz, 5A  Maximum 5A per power outlet	<b>Fully compatible</b> with power plugs in the UK, India, Italy and Denmark, as well as with the 2-prong Europlug.  <b>Partially compatible</b> (if the polarity is reversed) with plugs in China, Switzerland, Israel and the USA. The universal socket does not supply grounding to plugs in Central Europe and France and so you should order country specific sockets instead.  <b>Not compatible</b> with South African plugs.	
Power Socket Type	Power Specs	Power Socket Type	Power Specs
USA: 	<b>TS-1US (80-000999)</b> 100-240V AC, 50/60Hz, 5A  Maximum 5A per power outlet	Italy: 	<b>TS-1IT (80-001499)</b>  100-240V AC, 50/60Hz, 5A  Maximum 5A per power outlet
Germany and EU: 	<b>TS-1DE (80-001299)</b>  100-240V AC, 50/60Hz, 5A  Maximum 5A per power outlet	Australia: 	<b>TS-1AU (80-001599)</b>  100-240V AC, 50/60Hz, 5A  Maximum 5A per power outlet
Belgium and France: 	<b>TS-1FR (80-001399)</b>  100-240V AC, 50/60Hz, 5A  Maximum 5A per power outlet	Israel: 	<b>TS-1IL (80-001799)</b>  220V AC, 50/60Hz, 5A  Maximum 5A per power outlet
South Africa 	<b>TS-1ZA (80-001699)</b>  100-240V AC, 50/60Hz, 5A  Maximum 5A per power outlet		



## 4.2 Power Cord Options

You can order any of the following power cords to use with a modular TBUS:

Power Cord Type	Description	P/N
6ft/110V (North America)	C-AC/US (110V)	91-000099
6ft/125V (Japan)	C-AC/JP (125V)	91-000699
6ft/220V (Europe)	C-AC/EU (220V)	91-000199
6ft/220V (Israel)	C-AC/IL (220V)	91-000999
6ft/250V (UK)	C-AC/UK (250V)	91-000299
6ft/250V (India)	C-AC/IN (250V)	91-001099
6ft/250V/10A (China)	C-AC/CN (250V)	91-001199
6ft/250V/10A (South Africa)	C-AC/ZA (250V)	91-001299

## 5 Installing the UTBUS-1xl

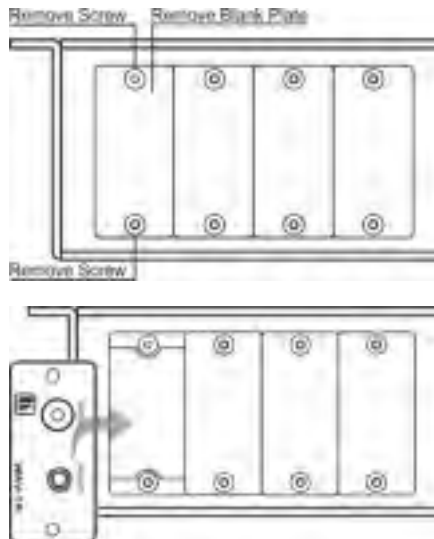
This section describes how to:

- Install the required wall plate insert items, see [Section 5.1](#)
- Install the cables, see [Section 5.2](#)
- Connect the Kramer TOOL or Pico TOOL (optional), see [Section 5.3](#)
- Secure the unit under the table, see [Section 5.4](#)

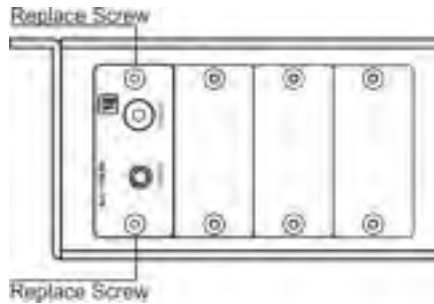
### 5.1 Installing the Required Wall Plate Inserts

By default, the mounting surface includes a power socket opening and four blank plates for optional video, audio and network connectors. Each blank plate can be removed and replaced with a Kramer passive wall plate insert or connector module for interfacing A/V type signals, if required. To install a wall plate insert or connector module, do the following:

1. Unscrew the two screws that attach the blank plate to the connecting surface and remove the blank plate (save the two screws).
2. Place the required wall plate insert item over the opening.



3. Reinsert the two screws to affix the wall plate insert in position, and tighten them.



## 5.2 Installing the Cables

To install the cables, do the following:

1. Connect the cables to the inside of the unit.
2. Insert the self-locking ties through the tie holes to secure the cables to the inside walls of the enclosure.

## 5.3 Connect the Kramer TOOL or Pico TOOL (Optional)

You can install a Kramer TOOL or Pico TOOL, as illustrated in the example in [Figure 3](#).

To connect the Kramer TOOL to the **UTBUS-1xl**:

1. Connect the mounting brackets to the Kramer TOOL, as described in the Bracket Installation Kit Instructions.
2. Insert the four 4x3/8" screws into the four TOOL mounting holes and fasten the Kramer TOOL to the inside floor of the **UTBUS-1xl**.

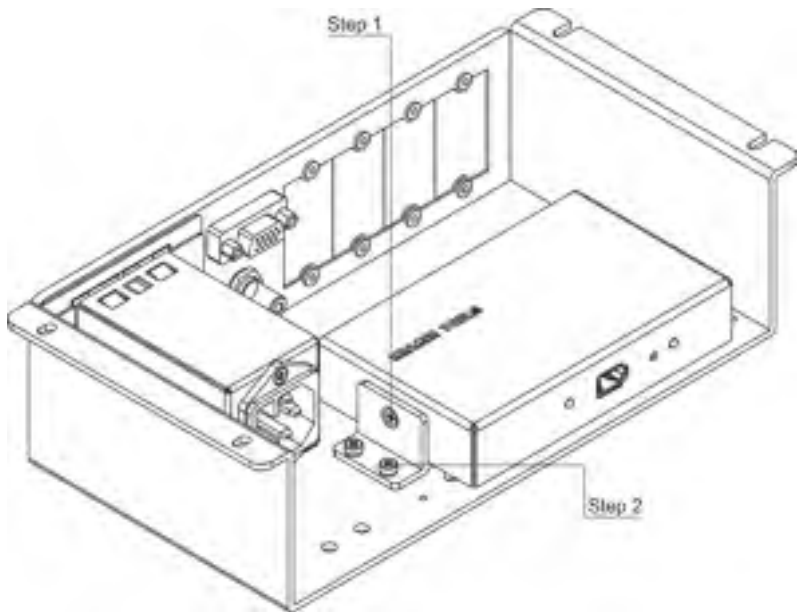


Figure 3: Installing a Kramer TOOL

## 5.4 Securing the UTBUS-1xl Enclosure to the Table

To install the **UTBUS-1xl** underneath the table, as illustrated in [Figure 4](#), do the following:

1. Place the unit to the underside of the table and mark the correct location.
2. Insert the four M4.2X16 wood screws into the four rim screw holes and fix the **UTBUS-1xl** to the table.

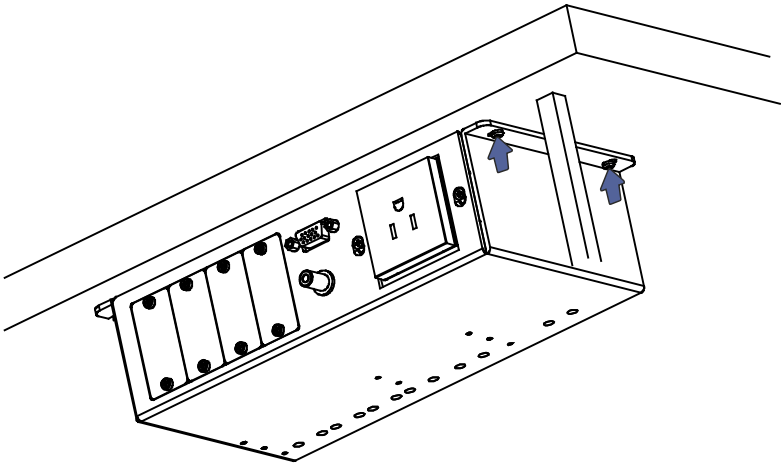


Figure 4: Securing the UTBUS-1xl to the Underneath of the Table

The **UTBUS-1xl** is ready for use.

## 6 Technical Specifications of the Assembled UTBUS-1xI

POWER SOURCE (AC power limits):	Power Socket Assemblies	
	Universal	100-240V AC, 50/60Hz, 5A Maximum 5A per power outlet
	<p><b>Fully compatible</b> with power plugs in the UK, India, Italy and Denmark, as well as with the 2-prong Europlug.</p> <p><b>Partially compatible</b> (if the polarity is reversed) with plugs in China, Switzerland, Israel and the USA. The universal socket does not supply grounding to plugs in Central Europe and France (you should order country specific sockets instead).</p> <p><b>Not compatible</b> with South African plugs.</p>	
	USA	100-240V AC, 50/60Hz, 5A Maximum 5A per power outlet
	Germany and EU	100-240V AC, 50/60Hz, 5A Maximum 5A per power outlet
	Belgium and France	100-240V AC, 50/60Hz, 5A Maximum 5A per power outlet
	South Africa	100-240V AC, 50/60Hz, 5A Maximum 5A per power outlet
	Australia	100-240V AC, 50/60Hz, 5A Maximum 5A per power outlet
	Israel	220V AC, 50/60Hz, 5A Maximum 5A per power outlet
	South Africa	220V AC, 50/60Hz, 5A Maximum 5A per power outlet
FUSE RATING:	T 6.3A 250V	
OPERATING TEMPERATURE RANGE:	+5 to +45 Deg. Centigrade	
OPERATING HUMIDITY RANGE:	10 to 90% RHL, non-condensing	
STORAGE TEMPERATURE RANGE:	-20 to +70Deg. C.	
STORAGE HUMIDITY RANGE:	5 to 95% RHL, non-condensing	
DIMENSIONS:	250.2mm x 137.5mm x 65mm (9.85" x 5.41" x 2.56") W, D, H	
WEIGHT:	0.4kg (0.88lbs) approx.	
ACCESSORIES:	Power cord, self locking ties, wood screws	
OPTIONS:	Passive wall plates and interfaces, power socket kits, power cord	
Specifications are subject to change without notice at <a href="http://www.kramerelectronics.com">http://www.kramerelectronics.com</a>		

## LIMITED WARRANTY

The warranty obligations of Kramer Electronics for hardware and software are limited to the following conditions:

### What is Covered

This limited warranty covers defects in materials and workmanship in this product.

### What is Not Covered

The limited warranty does not cover any damage, deterioration or malfunction resulting from any previous installation, misuse or unreasonable use or maintenance, misuse, abuse, accident, neglect, exposure to excessive moisture, fire, improper packing and shipping (such items must be presented to the carrier), lightning, power surges, or other acts of nature. This limited warranty does not cover any damage, deterioration or malfunction resulting from the installation or removal of this product from any installation, any unapproved tampering with this product, any misuse or alteration by a user, as authorized by Kramer Electronics to make such repairs, or any other cause which does not result directly from a defect in materials or workmanship of this product. This limited warranty does not cover repairs, replacement hardware, parts or accessories used in conjunction with this product.

Without limiting any other exclusion herein, Kramer Electronics does not warrant any third party product covered herein, including, without limitation, the technology, feature, integrated circuitry or content in this product, all not become licensed to the user, third party or will remain compatible with any other product or technology with which the product may be used.

### How Long Does this Coverage Last

See warranty as of the original purchase. Please check our Web site for the most current and complete warranty information.

### Who is Covered

Only the original purchaser of this product is covered under this limited warranty. This limited warranty is not transferable to subsequent purchasers or owners of this product.

### What Kramer Electronics will do

Kramer Electronics will, at its sole option, provide one of the following (with remedies to remedy defects if that option necessary or failing a proper claim under this limited warranty):

1. Used to repair or facilitate the repair of any defective part, within a reasonable period of time, free of any charge to the user, including parts and labor to complete the repair and return the product to its proper operating condition. Whether Electronics will also pay the shipping costs necessary to return this product under the repair is dependent.
2. Replace this product with a direct replacement or with a similar product designed by Kramer Electronics to perform essentially the same function as the original product.
3. Issue a full refund of the original purchase price less deduction or fee determined based on the age of the product at the time remedy is made under this limited warranty.

### What Kramer Electronics will not do under This Limited Warranty

If this product is returned to Kramer Electronics or the authorized dealer from which it was purchased or any other party authorized to repair Kramer Electronics products, this product may be repaired during shipment with the insurance and shipping charges assessed by you. If this product is returned untested, was assessed or used in excess of design, having a defect, Kramer Electronics will not be responsible for any costs related to the removal or reconnection of the product from its use, any installation, Kramer Electronics will not be responsible for any costs related to the setting up the product, any adjustments or any software or any programming required for a specific installation of this product.

### How to Obtain a Remedy under this Limited Warranty

To obtain a remedy under this limited warranty, you must contact either the authorized Kramer Electronics dealer from which you purchased this product or the Kramer Electronics office nearest you. For a list of authorized Kramer Electronics hardware dealer, please contact Kramer Electronics service personnel, please see our Web site at [www.kramerelectronics.com](http://www.kramerelectronics.com) or contact the Kramer Electronics office nearest you.

In order to receive any remedy or use this limited warranty, you could be asked to complete a return receipt as a part of our return and/or authorized Kramer Electronics receipt. If this product is accepted to use this limited warranty, a return authorization number issued from Kramer Electronics will be required. You may also be directed to an authorized dealer or a certain authorized Kramer Electronics repair technician.

It is recommended that the free product should be returned directly to Kramer Electronics, this product should be returned packed, preferably in its original container, for shipping. Continued handling without a manufacturer could be your responsibility.

### Limitation on Liability

THE MAXIMUM LIABILITY OF KRAMER ELECTRONICS UNDER THIS LIMITED WARRANTY SHALL NOT EXCEED THE ACTUAL PURCHASE PRICE PAID FOR THE PRODUCT. TO THE MAXIMUM EXTENT PERMITTED BY LAW, KRAMER ELECTRONICS IS NOT RESPONSIBLE FOR DIRECT, SPECIAL, INCIDENTAL OR CONSEQUENTIAL DAMAGES RESULTING FROM ANY BREACH OF WARRANTY OR CONDITION, OR UNDER ANY OTHER LEGAL THEORY. Some countries, states or states do not allow the exclusion or limitation of direct, special, incidental, consequential or indirect damages, or the limitation of liability in specific amounts, so the above limitations or exclusions may not apply to you.

### Exclusive Remedy

TO THE MAXIMUM EXTENT PERMITTED BY LAW, THIS LIMITED WARRANTY AND THE REMEDIES SET FORTH ABOVE ARE EXCLUSIVE AND IN LIEU OF ALL OTHER WARRANTIES, REMEDIES AND CONDITIONS, WHETHER ORAL OR WRITTEN, EXPRESS OR IMPLIED, TO THE MAXIMUM EXTENT PERMITTED BY LAW. KRAMER ELECTRONICS SPECIFICALLY DISCLAIMS ANY AND ALL IMPLIED WARRANTIES, INCLUDING, WITHOUT LIMITATION, WARRANTIES OF MERCHANTABILITY AND FITNESS FOR A PARTICULAR PURPOSE. IF KRAMER ELECTRONICS CANNOT LAWFULLY DISCLAIM OR EXCLUDE IMPLIED WARRANTIES UNDER APPLICABLE LAW, THEN ALL IMPLIED WARRANTIES COVERING THIS PRODUCT INCLUDING WARRANTIES OF MERCHANTABILITY AND FITNESS FOR A PARTICULAR PURPOSE SHALL APPLY TO THIS PRODUCT AS PROVIDED UNDER APPLICABLE LAW.

IF ANY PRODUCT TO WHICH THIS LIMITED WARRANTY APPLIES IS A "CONSUMER PRODUCT" UNDER THE MAGNUSON-MORIS WARRANTY ACT (15 U.S.C.A. 2057) ET SEQ. OR OTHER APPLICABLE LAW, THE FOREGOING REMEDIES AND IMPLIED WARRANTIES SHALL NOT APPLY TO YOU AND ALL IMPLIED WARRANTIES (IN THIS PRODUCT INCLUDING WARRANTIES OF MERCHANTABILITY AND FITNESS FOR THE PARTICULAR PURPOSE) SHALL APPLY AS PROVIDED UNDER APPLICABLE LAW.

### Other Conditions

This limited warranty gives you specific rights and you may have other rights when you buy from a store or directly from us.

This limited warranty is void if: (i) the label bearing the model number of the product has been removed or defaced; (ii) the product is not distributed by Kramer Electronics or; (iii) this product is not purchased from an authorized Kramer Electronics reseller. If you are unsure whether a dealer is an authorized Kramer Electronics reseller, please visit our Web site at [www.kramerelectronics.com](http://www.kramerelectronics.com) or contact a Kramer Electronics office from the list at the end of this document.

Your rights under this limited warranty are not diminished if you do not contact us and return the product regardless, both in hardware and software, and submit the return product agreement form. Kramer Electronics wants you to purchase a Kramer Electronics product. We hope it will give you years of happiness.



For the latest information on our products and a list of Kramer distributors, visit our Web site where updates to this user manual may be found.

**We welcome your questions, comments, and feedback.**

Web site: [www.kramerelectronics.com](http://www.kramerelectronics.com)

E-mail: [info@kramerel.com](mailto:info@kramerel.com)



**SAFETY WARNING**

Disconnect the unit from the power supply before opening and servicing