



Owner's Manual

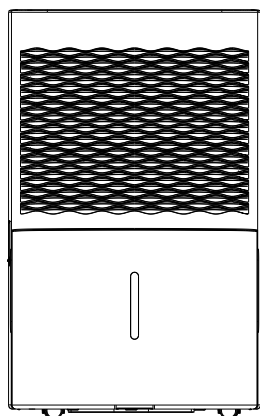
Original Instructions

Dehumidifier

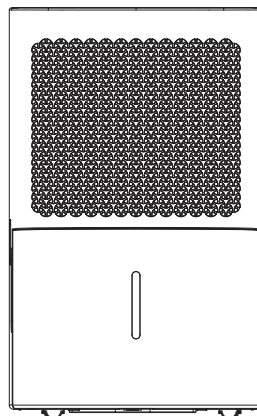
Thank you for choosing our product.
Please read this Owner's Manual carefully before operation and retain it for future reference.
If you have lost the Owner's Manual, please contact the local agent or visit www.gree.com or send an email to global@gree.com.cn for the electronic version.



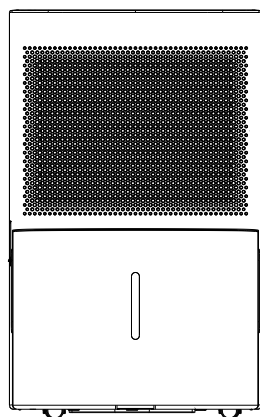
GDN20AZ-A3EBA2A
GDN30BB-A3EBA2B
GDN35BB-A3EBA2A
GDN45BA-A3EBA2A
GDN50BA-A3EBA2D



GDN20AZ-A3EBA3A
GDN30BB-A3EBA3A
GDN35BB-A3EBA3A
GDN45BA-A3EBA3A
GDN50BA-A3EBA3A



GDN20AZ-A3EBA4A
GDN30BB-A3EBA4A
GDN35BB-A3EBA4A
GDN45BA-A3EBA4A
GDN50BA-A3EBA4A



Actual product may be different from above graphics, please refer to actual product.

Content

Operation Notices

- Operation Area.....1
- Safety Precautions.....2
- Parts Name.....3
- Check Before Operation.....4

Operation Instructions

- Operation Method.....5
- Drainage Option.....8

Maintenance

- Clean and Maintenance.....10

Malfunction

- Troubleshooting.....13
- Malfunction Codes.....15
- Electric Schematic Diagram.....17

NOTICE:
Graphics in this manual are only for reference. Please refer to actual products for specific details.

This appliance is not intended for use by persons (including children) with reduced physical, sensory or mental capabilities, or lack of experience and knowledge, unless they have been given supervision or instruction concerning use of the appliance by a person responsible for their safety. Children should be supervised to ensure that they do not play with the appliance.

Explanation of Symbols



DANGER

Indicates a hazardous situation that, if not avoided, will result in death or serious injury.



WARNING

Indicates a hazardous situation that, if not avoided, could result in death or serious injury.



CAUTION

Indicates a hazardous situation that, if not avoided, may result in minor or moderate injury.

NOTICE

Indicates important but not hazard-related information, used to indicate risk of property damage.



Indicates a hazard that would be assigned a signal word WARNING or CAUTION.

Exception Clauses

Manufacturer will bear no responsibilities when personal injury or property loss is caused by the following reasons.

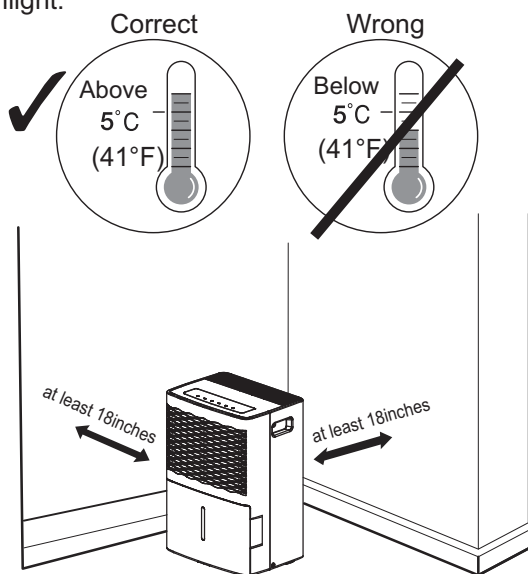
1. Damage the product due to improper use or misuse of the product;
2. Alter, change, maintain or use the product with other equipment without abiding by the instruction manual of manufacturer;
3. After verification, the defect of product is directly caused by corrosive gas;
4. After verification, defects are due to improper operation during transportation of product;
5. Operate, repair, maintain the unit without abiding by instruction manual or related regulations;
6. After verification, the problem or dispute is caused by the quality specification or performance of parts and components that produced by other manufacturers;
7. The damage is caused by natural calamities, bad using environment or force majeure.

If it needs to install, move or maintain the appliance, please contact dealer or local service center to conduct it at first. The appliance must be installed, moved or maintained by appointed unit. Otherwise, it may cause serious damage or personal injury or death.

When refrigerant leaks or requires discharge during installation, maintenance, or disassembly, it should be handled by certified professionals or otherwise in compliance with local laws and regulations.

Operation Area

- This dehumidifier is intended for indoor residential applications only. It should not be used for commercial or industrial applications.
- Place the dehumidifier on a smooth and level floor.
- A dehumidifier operating indoors will have no effect in drying an adjacent enclosed area, such as a closet.
- Place the dehumidifier in an area where the temperature will not below 5°C(41°F) or above 32°C(90°F). The suggested range of relative humidity is between 30% and 90%.
- Allow at least 18inches of air space on all sides of the unit.
- Close all doors, windows and other outside openings of the room to improve the working effect.
- Please keep the air inlet/outlet clean and not blocked.
- Do not use a dehumidifier in a bathroom.
- Avoid direct sunlight.



NOTICE:

The dehumidifier has castors to aid placement. Do not attempt to roll the dehumidifier on carpet or over objects. Otherwise, water may spill out from the bucket or the dehumidifier may get stuck by the objects.

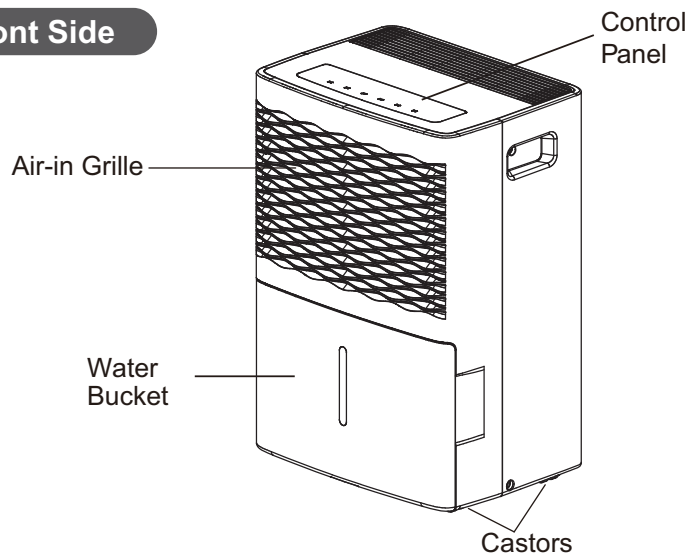
Safety Precautions

Warning

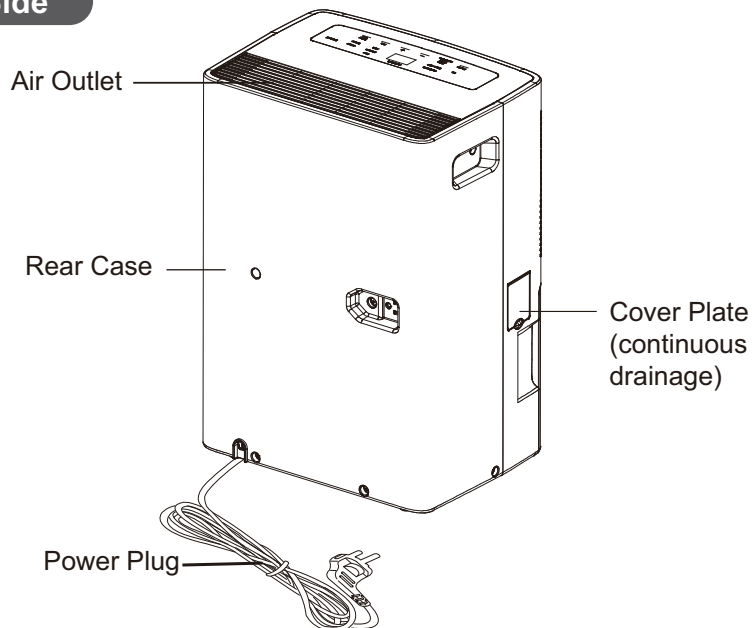
- This appliance can be used by children aged from 8 years and above and persons with reduced physical, sensory or mental capabilities or lack of experience and knowledge if they have been given supervision or instruction concerning use of the appliance in a safe way and understand the hazards involved.
- Children and disabled people are not allowed to use the dehumidifier without supervision.
- Children shall not play with the appliance.
- Cleaning and user maintenance shall not be made by children without supervision.
- Before operation, please check the power cord if it complies with the requirement indicated on the nameplate.
- Before cleaning, please turn it off and unplug the dehumidifier.
- Make sure the power cord is not pressed by any hard object.
- Do not remove the power plug or move unit by pulling the power cord.
- Do not use any heating application near the dehumidifier.
- Do not remove the power plug in wet hands.
- Please use grounded power cord and make sure it's well connected and not damaged.
- Keep children from playing or climbing on the dehumidifier.
- Do not place the dehumidifier under dripping objects.
- Memory function is included in this dehumidifier. When nobody is taking care of the unit, please turn it off and remove the power plug or disconnect power.
- Do not repair or disassemble the unit by yourself.
- If abnormal condition occurs (e.g. burned smell), please disconnect power at once and then contact local dealer.
- Dehumidifier can not be disposed of everywhere. If you want to get rid of this dehumidifier, please check with local handling disposal or information service center about what to do.
- Instructions for cord-connected room air conditioners shall include manufacture's recommendations regarding the use of cord sets(extension cords). If use of an extension cord is not recommended, the instructions shall state this. Recommendations for an extension cord shall specify at least the use of a cord set with an equipment grounding conductor grounding-type attachment plug, and grounding-type connector(load fitting) ;and the amp city and voltage rating of the cord set.
- The appliance shall be installed in accordance with national wiring regulations.
- If the SUPPLY CORD is damaged, it must be replaced by the manufacturer, its service agent or similarly qualified person in order to avoid a hazard.
- Prohibit operating the unit in the bathroom or laundry room.

Parts Name

Front Side



Back Side

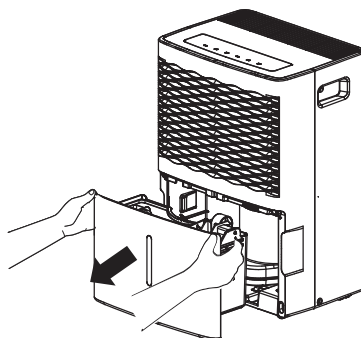


Note:Actual product may be different from above graphics, please refer to actual product.

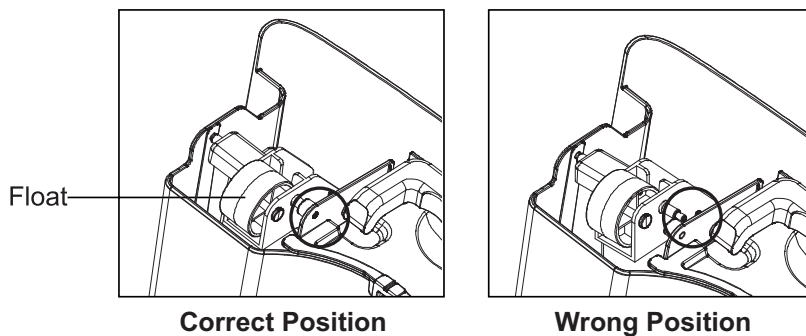
Check Before Operation

Before operation, please first check whether float is properly placed. Below are the checking steps:

1. Hold the handles on both sides of the water bucket and pull it out following the arrow direction.



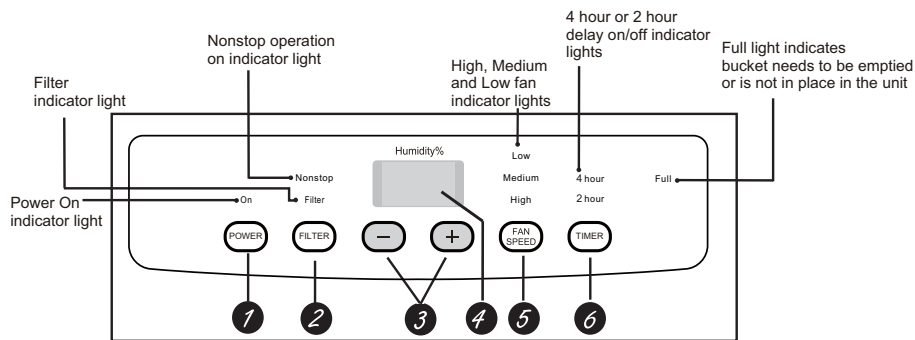
2. Check whether float in the water bucket is properly placed. It might have been moved a little after long-time transportation. If it's not placed properly, move it to the correct position by hand.



3. Replace the bucket as instructed in step 1.

Note:Actual product may be different from above graphics, please refer to actual product.

Operation Method



* Actual product may be different from above graphics, please refer to actual product.

NOTICE:

Water bucket must be correctly installed for the dehumidifier to operate.

Do not remove the bucket while unit is in operation.

If you want to use drain hose to drain water away, please install the hose according to section "Drainage option".

Each time pressing the effective button on the control panel will give out a "beep" sound.

When power is connected, power indicator on the control panel will be on and dehumidifier gives out a "beep" sound simultaneously.

Basic Functions of the Buttons

- 1 POWER
Press to turn the dehumidifier on and off.
- 2 FILTER
After 250 hours of operation, the **Filter** indicator light will glow to remind you to clean the filter. Remove the filter and clean it.
Press to rest to turn off the Filter light. See the Clean and Maintenance.

3 -/+

The humidity level can be set within a range of 80% RH (Relative Humidity) to 35% RH (Relative Humidity) in 5% reduce or at continuous operation. To set the unit for continuous operation, press the - pad until the screen reads NS.

NOTE: If **Nonstop** is selected, the dehumidifier will operate continuously at its maximum dehumidification settings if attached to a hose to drain or until the bucket is full. For drier air, press the - pad and set to a lower percent value (%). For damper air, press the + pad and set to a higher percent value (%). When you first use the dehumidifier, set the humidity control to 45% or 50%. Allow at least 24 hours for the dehumidifier to achieve the humidity level. If you still have damper air than desired, set the humidity level to a lower setting or select Continuous for maximum dehumidification.

4 Display

Shows the set % humidity level while setting, then shows the actual ($\pm 5\%$ accuracy) room % humidity level.

5 FAN SPEED

Controls the fan speed.

Press to select either High, Medium or Low fan speed.

Set the fan control to High for maximum moisture removal. When the humidity has been reduced and quiet operation is preferred, set the fan control to Medium or Low.

6 TIMER

While the dehumidifier is in operation, press this pad to set it to automatically turn off in 2 hours or 4 hours. While the dehumidifier is off, press this pad to set it to automatically turn on in 2 hours or 4 hours.

Other Instructions

1. Full Light

Glows when the bucket is ready to be emptied, or when the bucket is removed or not replaced in the proper position.

2. Alarm

If the bucket is full or missing for more than three minutes, an alarm will sound for about 10 seconds to remind you to empty and replace the bucket.

3. Auto Shut Off

The Water Level Control Switch shuts off the dehumidifier when the bucket is full, or when the bucket is removed or not replaced in the proper position.

4. Auto Defrost

When frost builds up on the evaporator coils, the compressor will cycle off and the fan will continue to run until the frost disappears.

5. Power Outage

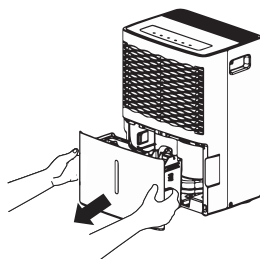
In the case of a power outage or interruption, the unit will automatically restart, in the settings last used, after the power is restored.

Drainage Option

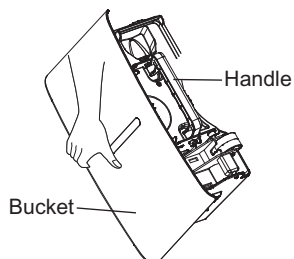
Option 1 Emptying Manually

NOTICE:

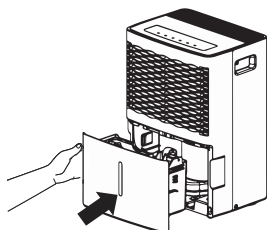
- Do not remove the bucket when unit is in operation or has just stopped. Otherwise it may cause some water to drip on the floor .
 - Do not use the hose if using water bucket to collect water. When the hose is connected, water will be drained out through it instead of into the bucket.
1. Hold the handles on both sides of the water bucket and pull it out following the arrow direction. (Attention: Pull out the bucket carefully in case the water may spill out from the bucket and onto the floor.)



2. Empty the bucket by grasping the handle on the top of bucket with one hand and grasping the bottom of bucket with the other hand.



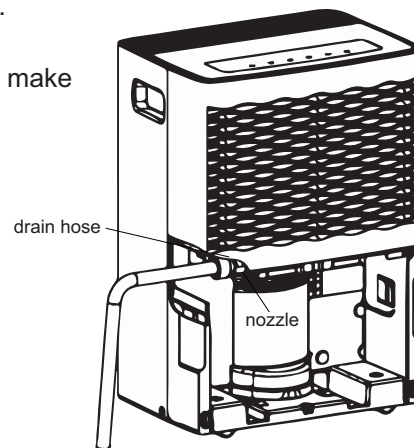
3. Replace bucket in the dehumidifier according to the arrow direction



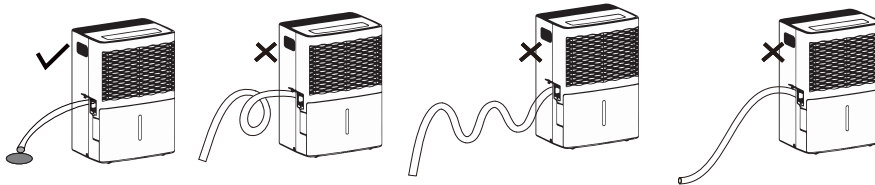
Note:Actual product may be different from above graphics, please refer to actual product.

Option 2 Gravity Drain Hose

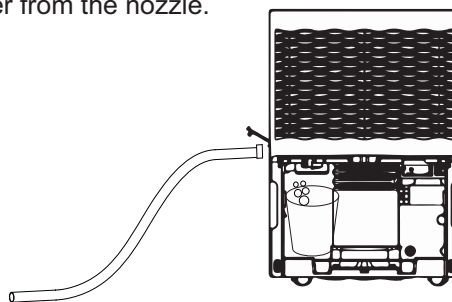
1. Hose is not provided, so user shall prepare it in advance.
[Size: The hose thread should have an outer diameter of 11/16 inches (1.0625 inches or 27.0mm), and a pitch of 11.5 TPI.]
2. Remove bucket from the unit as instructed.
3. Thread the drain hose onto the nozzle and make sure it's securely locked.



4. Replace the bucket. Make sure the drain hose goes through the bucket's drain hole and is placed downward. Lead the hose to the floor drain and then cover the hole with a lid. Note that drain hose should not be pressed, otherwise water can not be drained out.



NOTICE: When you want to take off the drain hose, prepare a receptacle to collect water from the nozzle.



Note: Actual product may be different from above graphics, please refer to actual product.

Clean and Maintenance

Warning

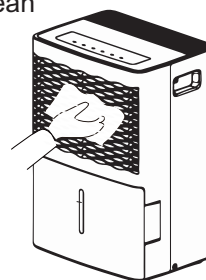
- Before cleaning, turn off the dehumidifier and disconnect power. Otherwise it may lead to electric shock.
- Do not wash the dehumidifier with water, or it may lead to electric shock.
- Do not use volatile liquid (such as thinner or gasoline) to clean dehumidifier. Otherwise it will damage unit's appearance.

1. Grille and Case

To clean the case:

When there is dust on the case, use soft towel to dust it off; When the case is very dirty (greasy), use mild detergent to clean it.

To clean the grille: Use a dust catcher or brush.



2. Water Bucket

Every few weeks, clean the bucket to prevent growth of mold, mildew and bacteria. Use soft brush to clean the bucket and then rinse it.

To remove:

(1) Direct the rotor shaft of handle to the hole of buckle plate. Pull the bucket plate at the handle side by following the arrow direction. Remove the handle. (shown in Fig. 1a, Fig. 1b, Fig. 1c)

(2) Press down all buckles around the water bucket. Lift up the drain lid. (shown in Fig. 2a, Fig. 2b, Fig. 2c)

Note: 5 clasps marked with line on the right figure.

GDN45BA-A3EBA2A、GDN45BA-A3EBA3A、GDN45BA-A3EBA4A
GDN50BA-A3EBA2D、GDN50BA-A3EBA3A、GDN50BA-A3EBA4A

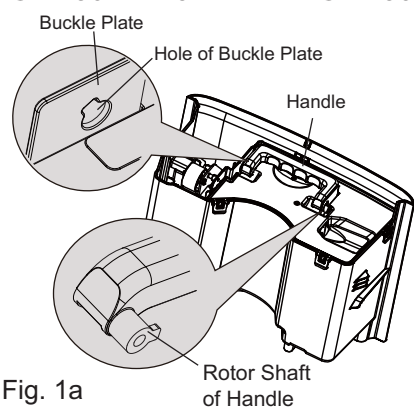


Fig. 1a

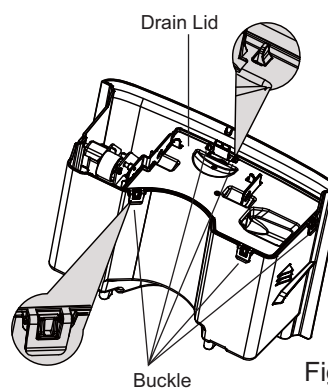
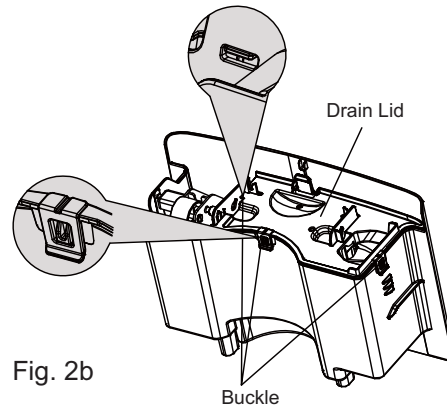
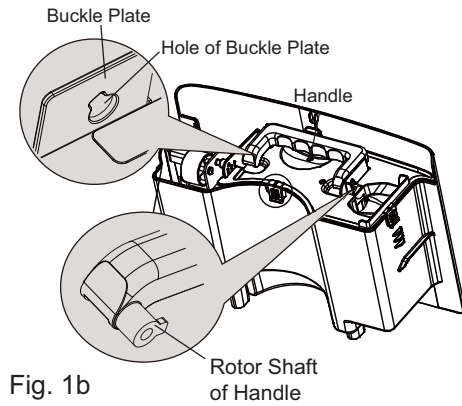


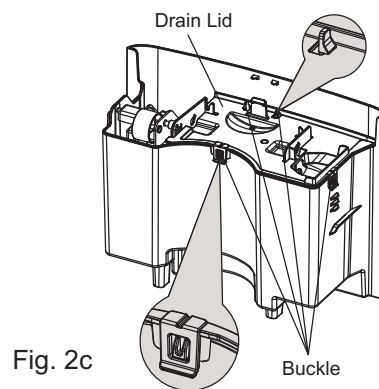
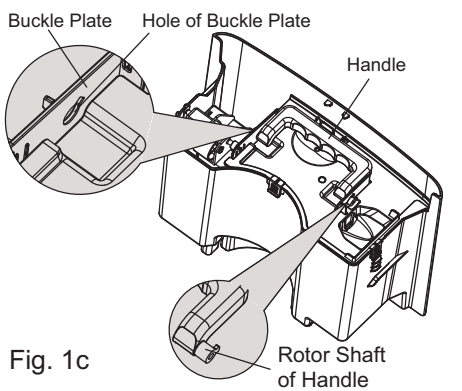
Fig. 2a

Note: Actual product may be different from above graphics, please refer to actual product.

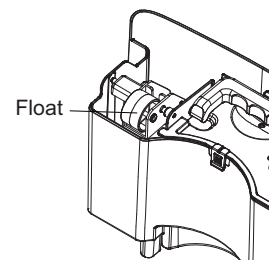
GDN20AZ-A3EBA2A、 GDN20AZ-A3EBA3A、 GDN20AZ-A3EBA4A



GDN30BB-A3EBA2B、 GDN30BB-A3EBA3A、 GDN30BB-A3EBA4A
GDN35BB-A3EBA2A、 GDN35BB-A3EBA3A、 GDN35BB-A3EBA4A



(3) After cleaning, replace the drain lid and handle and make sure the float of water bucket is placed properly. The side with foam plastic should be beneath the drain lid. Do not remove the foam plastic on the float



Note:Actual product may be different from above graphics, please refer to actual product.

3. Air Filter

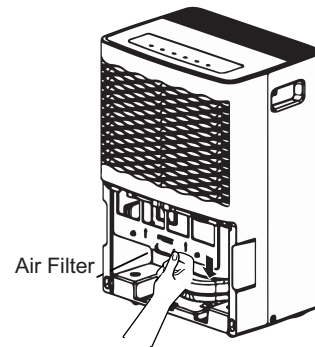
Dehumidifier will remind you to clean the air filter when it has been operating for 250 hours. If it is used in dusty places, clean the air filter more often.

To remove: Remove the bucket. Grasp the filter edge, and pull it straight down and out.

To clean: Clean the filter in warm, soapy water. Rinse it and let the filter dry before replacing it.

Warning

- Do not operate the dehumidifier without a filter. Otherwise the evaporator will catch dust and affect unit's performance.
- Do not dry the air filter with fire or electric hair dryer. Otherwise the air filter may be unshaped or caught on fire.
- Don't use dust catcher or brush to clean the air filter. Otherwise the air filter may be destroyed.



* Actual product may be different from above graphics, please refer to actual product.

Check Before Use-season

- Check whether air outlet is blocked.
- Check whether power plug and power socket are in good condition.
- Check whether air filter is clean.
- Check whether drain hose is damaged.

Care After Use-season

- Disconnect power.
- Clean air filter and case.
- Clean dust and obstacle of the dehumidifier.
- Empty the water bucket.

Long-time Storage

If you won't use the dehumidifier for a long time, we suggest that you follow the steps below in order to maintain the unit in good condition.

- Make sure the bucket is clear of water and drain hose is removed.
- Unplug the dehumidifier and pack the power cord.
- Clean the unit and wrap it well to prevent the gathering of dust.

Troubleshooting

- Not all the following problems are malfunctions.

Problem	Possible Causes
Dehumidifier is not operating. Controls can not be set.	<ul style="list-style-type: none"> ● Unit is operating in an area where temperature is higher than 32°C (90°F) or lower than 5°C (41°F). ● Bucket is full.
Noise suddenly rises during operation.	<ul style="list-style-type: none"> ● Noise will rise if compressor has just started. ● Power supply problem. ● Unit is placed on uneven floor.
Humidity does not drop.	<ul style="list-style-type: none"> ● Area to be dehumidified is too large. The capacity of your dehumidifier may not be adequate ● Doors are open. ● There might be some device producing vapor in the room.
Little or no effect in dehumidifying	<ul style="list-style-type: none"> ● Room temperature is too low. ● Humidity level may be improperly set. ● If unit is operating in a room where temperature is from 5 to 15 °C (41°F to 59°F), it will start to defrost automatically. Compressor will stop for a brief period of time (fan will operate in high fan speed). When unit finishes defrosting, it will be back normal operation.
When first operated, the air emitted has musty-odor.	<ul style="list-style-type: none"> ● Due to temperature rising of heat exchanger, the air may have some strange smell at the beginning.
Unit has noises.	<ul style="list-style-type: none"> ● There might be some noise if unit is operating on wooden floor.
Swooshing sound is heard.	<ul style="list-style-type: none"> ● Normal. This is the sound of the flow of refrigerant.

- Problem of Water Leakage.

Problem	Possible Causes	Solution
When using drain hose, there is water in the bucket.	<ul style="list-style-type: none"> ● Examine the drainage joint. 	<ul style="list-style-type: none"> ● Connect the drainage joint well.
	<ul style="list-style-type: none"> ● Drain hose is not correctly installed. 	<ul style="list-style-type: none"> ● Clear the obstacle from the drain hose.
	<ul style="list-style-type: none"> ● Drain hose is not correctly installed. 	<ul style="list-style-type: none"> ● Remove the drain hose and replace it. Be sure that the hose is correctly installed.

● Dehumidifier does not start.

Problem	Possible Causes	Solution
Power indicator is not lit when power is connected.	<ul style="list-style-type: none"> ● Power is not supplied for the dehumidifier or the power plug is not well inserted. 	<ul style="list-style-type: none"> ● Check if power is lost. If yes, wait for the power to restore. ● If not, check whether the power circuit or power socket has been damaged. ● Check whether power plug is loosen. ● Check whether power cord is damaged.
	<ul style="list-style-type: none"> ● Fuse is blown. 	<ul style="list-style-type: none"> ● Replace the fuse.
Bucket full indicator is lit up.	<ul style="list-style-type: none"> ● Bucket is not properly placed. ● Water is full in the bucket. ● Bucket has been removed. 	<ul style="list-style-type: none"> ● Empty the bucket and replace it.
Unit can function normally but it can not start up.	<ul style="list-style-type: none"> ● Humidity is set too high. 	<ul style="list-style-type: none"> ● If you want the air drier, press “-” button to lower the figure or press CO button for unit to dehumidify continuously.

● Dehumidifier does not dry air as intended.

Bad dehumidifying performance	<ul style="list-style-type: none"> ● Check whether there is any obstacle around the unit. 	<ul style="list-style-type: none"> ● Make sure there is no curtain, shutter or furniture that blocks the dehumidifier.
	<ul style="list-style-type: none"> ● Air filter is dusty and blocked. 	<ul style="list-style-type: none"> ● Clean the filter.
	<ul style="list-style-type: none"> ● Doors and windows are left open. 	<ul style="list-style-type: none"> ● Make sure all doors and windows and other opening to the outside have been closed.
	<ul style="list-style-type: none"> ● Room temperature is too low. 	<ul style="list-style-type: none"> ● Warm temperature is good for dehumidification. Low temperature will reduce unit's working effect. This unit should be working in a place where temperature is above 5°C(41°F).

Malfunction Codes

● Unit's Malfunction Codes

No.	Malfunction Name	Display Code	Unit's Condition	Possible Causes
		Display Window		
1	Ambient Temperature Sensor Malfunction	F1		● Ambient temperature sensor is loosen or is poorly connected with the terminal of display board.
				● Some element of display board may have been put upside down and cause short circuit.
				● Ambient temperature sensor is damaged(Please refer to Checking Table for Temperature Sensor Resistance).
				● Display board is damaged.
2	Tube Temperature Sensor Malfunction	F2	Compressor and fan motor stop. The buttons are invalid.	● Temperature sensor on the evaporator is loosen or is poorly connected with the terminal of display board.
				● Some element of display board may have been put upside down and cause short circuit.
				● Temperature sensor on the evaporator is damaged(Please refer to Checking Table for Temperature Sensor Resistance).
				● Display board is damaged.
3	Discharge Temperature Sensor Malfunction	F5		● Temperature sensor on the evaporator is loosen or is poorly connected with the terminal of display board.
				● Some element of display board may have been put upside down and cause short circuit.
				● Discharge temperature sensor is damaged (Please refer to Checking Table for Temperature Sensor Resistance).
				● Display board is damaged.
4	Humidity Sensor Malfunction	L1		● Humidity sensor is short-circuited.
				● Humidity sensor is damaged.
				● Display board is damaged.

Malfunction Codes

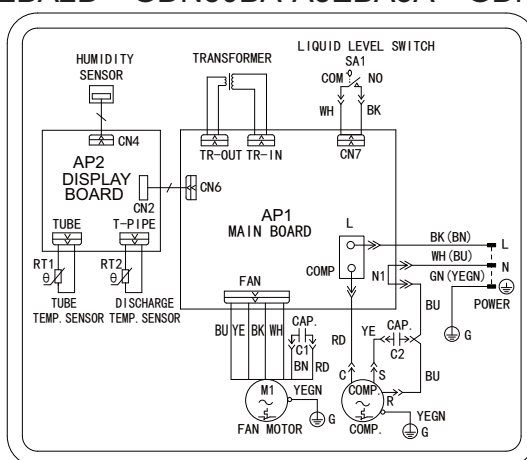
● Unit's Malfunction Codes

No.	Malfunction Name	Display Code	Unit's Condition	Possible Causes
		Display Window		
5	Freon-lacking protection	F0	The compressor stops; the fan motor stops after 30 seconds.	● Refrigerant is leaking.
6	High-temperature overload protection	H3		● System is blocked
				● Ambient operation condition is bad.
7	High discharge temperature protection of compressor	E4	● The evaporator and condenser are blocked with filth.	
			● The system is abnormal.	
			● Abnormal system (e.g.: blockage, etc).	
			● Abnormal rotation speed of the motor.	
			● Abnormal air intake.	
			● System is normal, but the compressor discharge temperature sensor is abnormal or poorly contacted.	

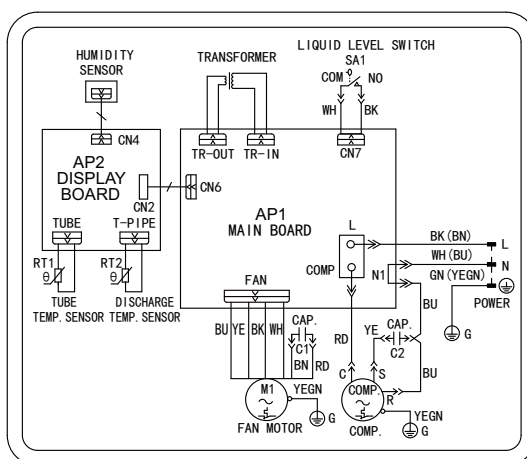
Electric Schematic Diagram

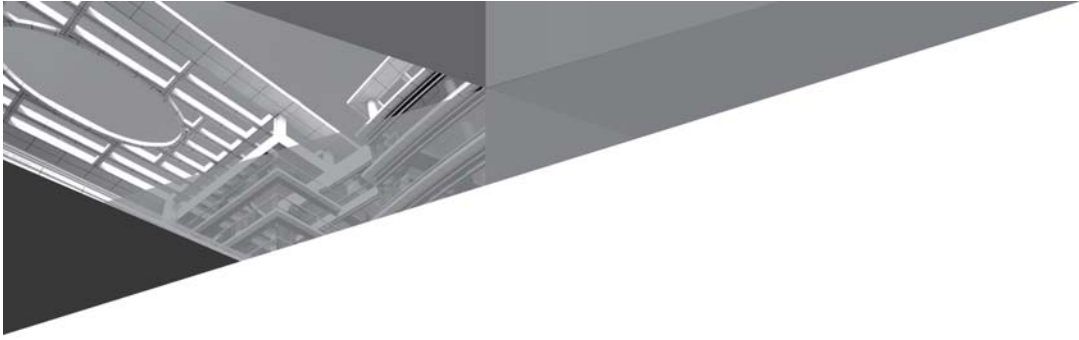
The Electric schematic diagram are subject to change without notice.
Please refer to which one on the unit.

GDN20AZ-A3EBA2A、GDN20AZ-A3EBA3A、GDN20AZ-A3EBA4A
GDN45BA-A3EBA2A、GDN45BA-A3EBA3A、GDN45BA-A3EBA4A
GDN50BA-A3EBA2D、GDN50BA-A3EBA3A、GDN50BA-A3EBA4A



GDN30BB-A3EBA2B、GDN30BB-A3EBA3A、GDN30BB-A3EBA4A
GDN35BB-A3EBA2A、GDN35BB-A3EBA3A、GDN35BB-A3EBA4A





GREE ELECTRIC APPLIANCES, INC. OF ZHUHAI

Add: West Jinji Rd, Qianshan, Zhuhai, Guangdong, China, 519070

Tel: (+86-756) 8522218

Fax: (+86-756) 8669426

E-mail: gree@gree.com.cn

Web: www.gree.com



600005061728