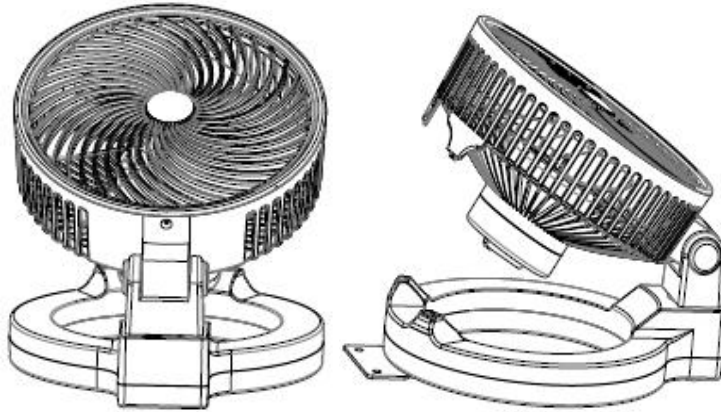


Instruction Manual

Electric Fan

FD-764DC



For Household Use Only

IMPORTANT SAFETY INSTRUCTIONS

READ AND SAVE THESE INSTRUCTIONS

WARNING – To Reduce The Risk Of Fire Or Electric Shock, Do Not Use This Fan With Any Solid-State Speed Control Device.

WARNING – To Reduce The Risk Of Electric Shock, Do Not Expose to Water or Rain.

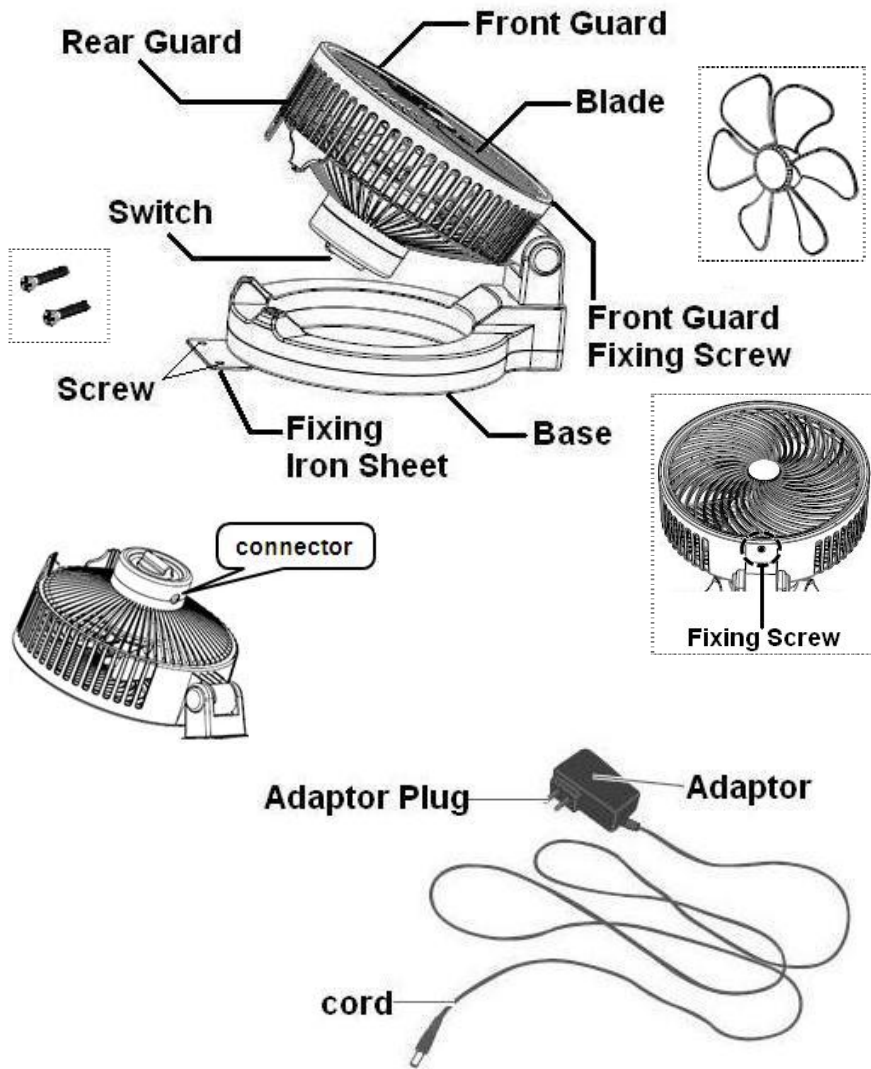
WARNING – This is a fan – not a toy! To reduce the risk of personal injury and electric shock, it should not be played with or placed where small children can reach it.

When using electric appliances, basic safety precautions should always be followed, including the following:

1. Do unplug or disconnect the appliance from the power supply before servicing.
2. Do not use gasoline, thinners, solvents, ammonias or other chemicals for cleaning.
3. Do not operate any fan with a damaged cord or plug. Discard fan or return to an authorized service facility for examination and/or repair.
4. Do not run cord under carpeting. Do not cover cord with throw rugs, runners, or similar coverings. Do not route cord under furniture or appliances. Arrange cord away from traffic area and where it will not be tripped over.
5. Do not use this product outdoors.
6. Do not use this product on wet surfaces.
7. Do not use this product in a bathtub or shower.
8. Do not use near furnaces, fireplaces, stove or other high-temperature heat sources.
9. Do not immerse this product in water or allow water to drip into the motor housing.

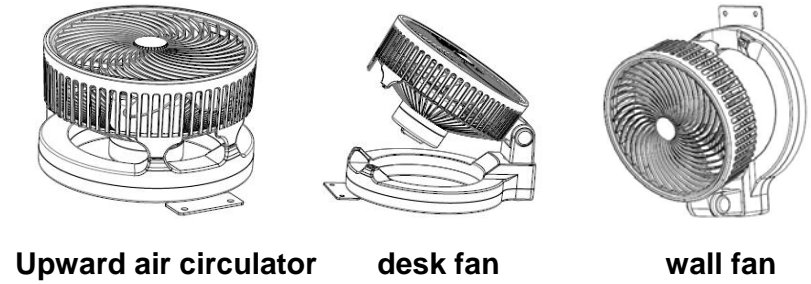
Know Your Fan

Parts and Features



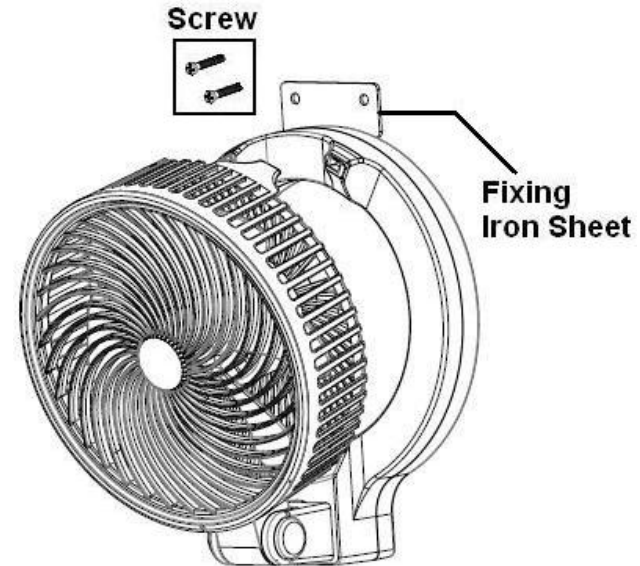
P3-14606

Multi-function



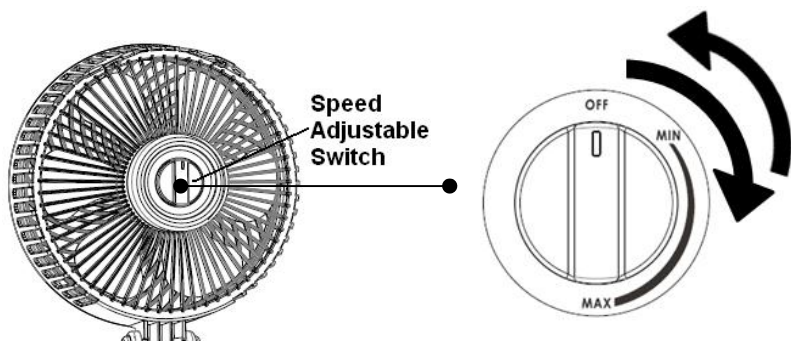
Installation Guide

The attached screws are for mounting iron sheet directly to a wooden wall.



P4-14606

How to Operate



OFF	Adjust the switch knob counter clockwise to the OFF position, product operation to stop.
MIN	Adjust the switch knob clockwise fan began to operation.
MAX	Adjust the switch knob in a clockwise direction, air volume grew stronger, to counter clockwise air volume gradually weaken.

1. The adaptor cord inserted inside the mouth tightly inserted into the connector, the adaptor plug inserted into the outlet of 120V power supply.
2. After use, the adapter plug and cord pull out from the outlet and product respectively.

Cleaning and Maintenance

- Use in a dry place, free of excessive humidity and water.
- Keep fan clean, wipe away dirt with a clean cloth.
- Use a vacuum cleaner to clean the front grid and blade. Do not use gasoline or thinner to clean fan.
- Before putting the fan in storage, clean thoroughly then cover with a vinyl bag and store in a dry place.

How to Remove Front Guard for Cleaning

1. Use tool to unlock the screw of the guard, turn counter clockwise remove the front guard.
2. After cleaning, turn clockwise to assemble the front guard, and use tool to lock the screw of the guard.

