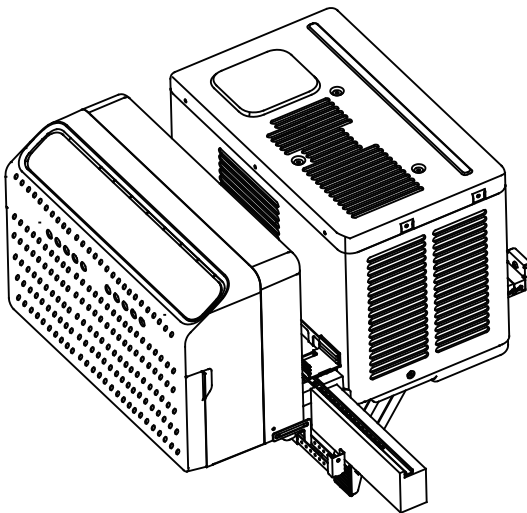
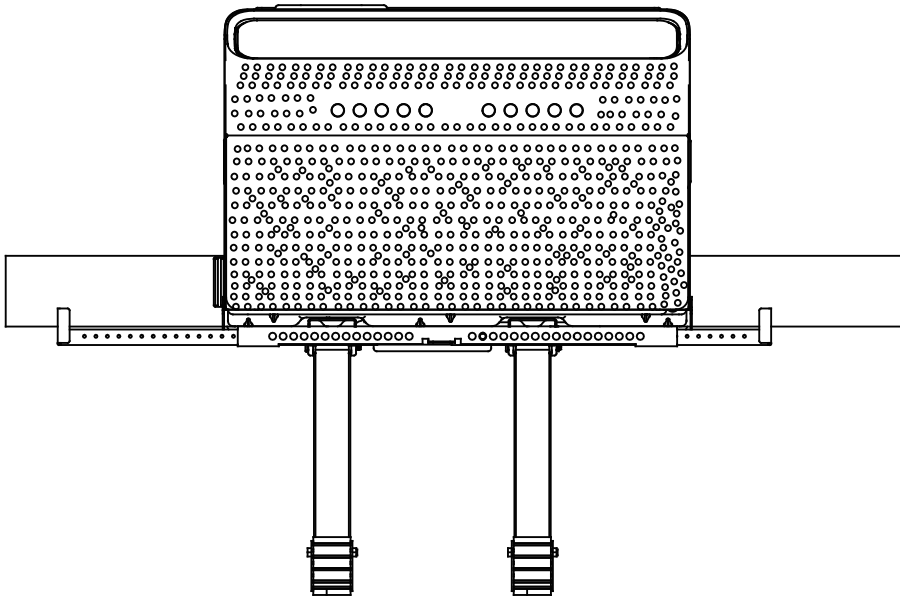


Installation Instructions

NOTICE: The unit you purchased may look like one of the followings:



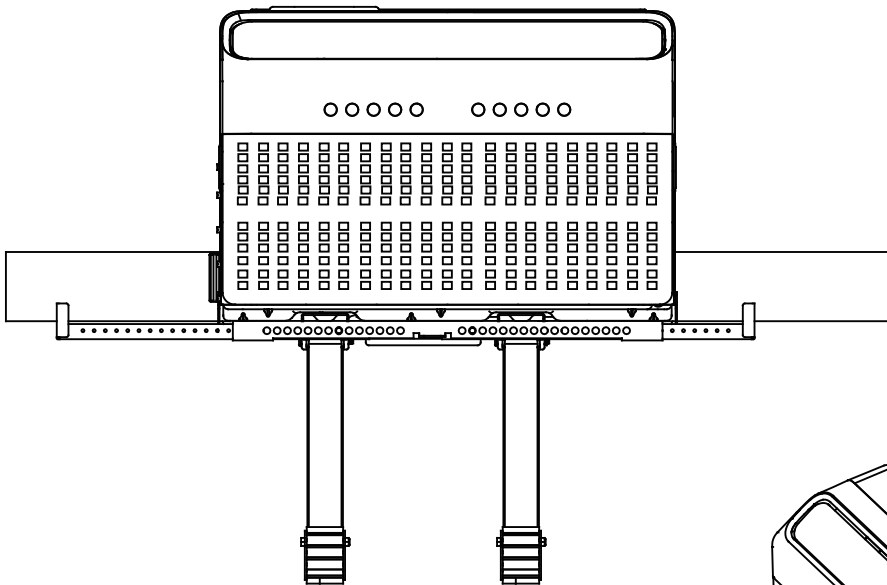
Model A

 **NOTICE:**

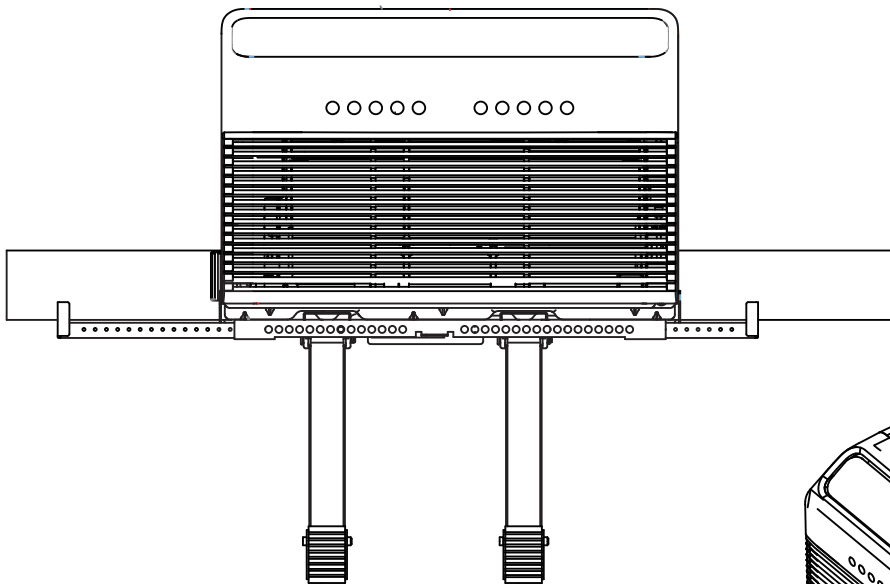
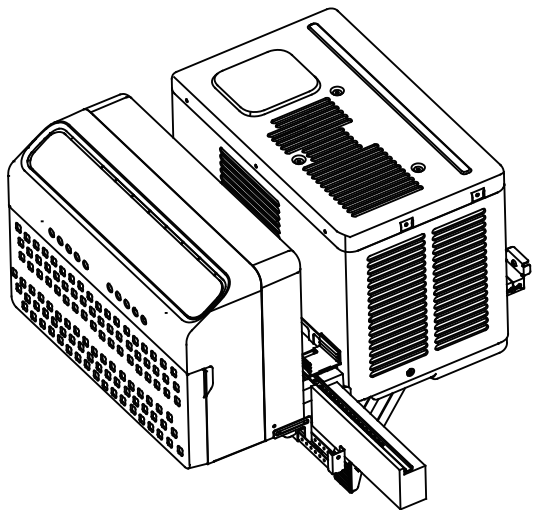
All the illustrations in this manual are for explanation purpose only. The actual installation may vary.

Scan the following QR code for an installation video.

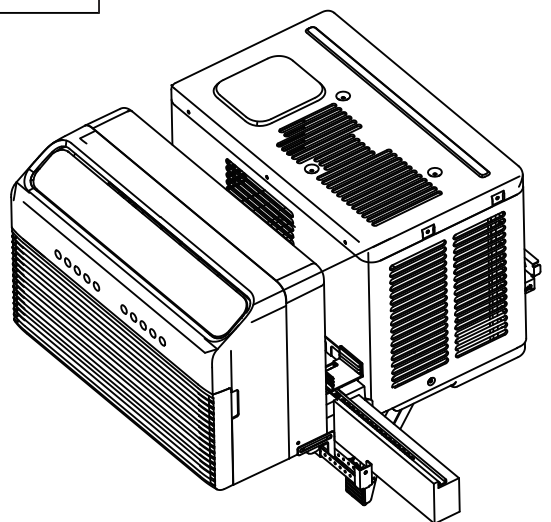




Model B



Model C



此面板单页仅供制单按面板订制进行替换使用，
按顺序为QB2, QB3, QB4面板。
书中所示二维码为美的基准，客版请重新使用
新的二维码。