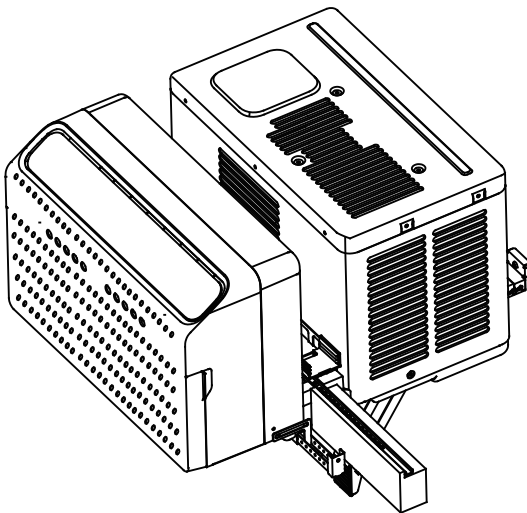
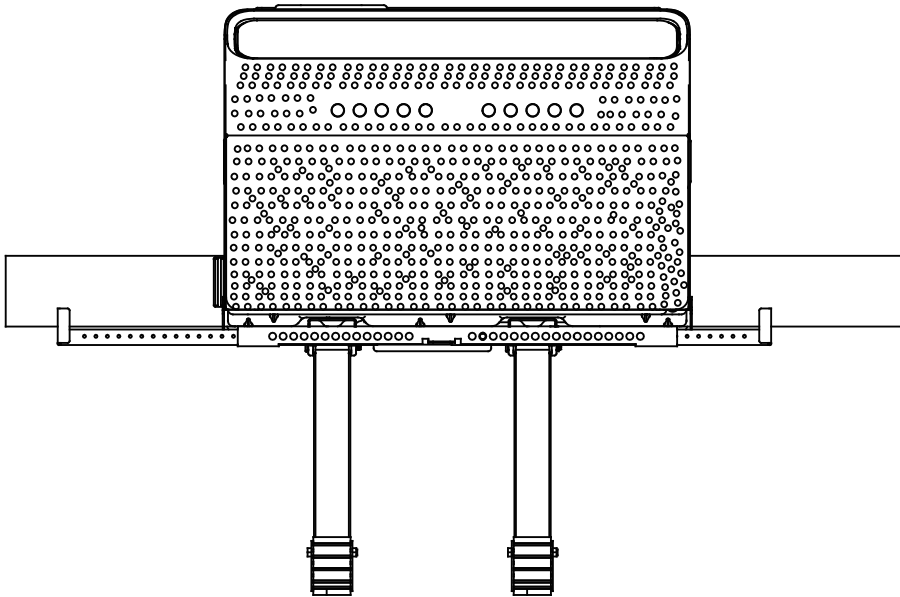


# Installation Instructions

**NOTICE:** The unit you purchased may look like one of the followings:



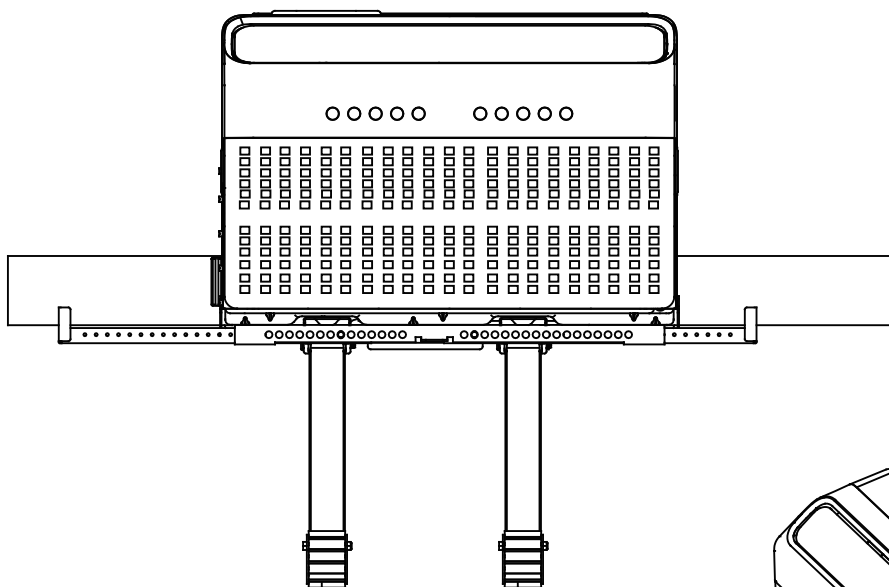
**Model A**

 **NOTICE:**

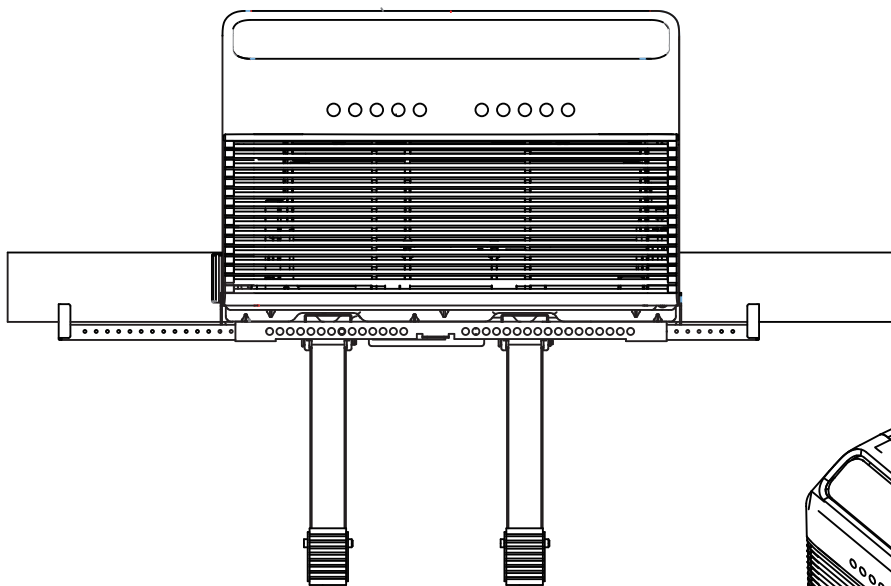
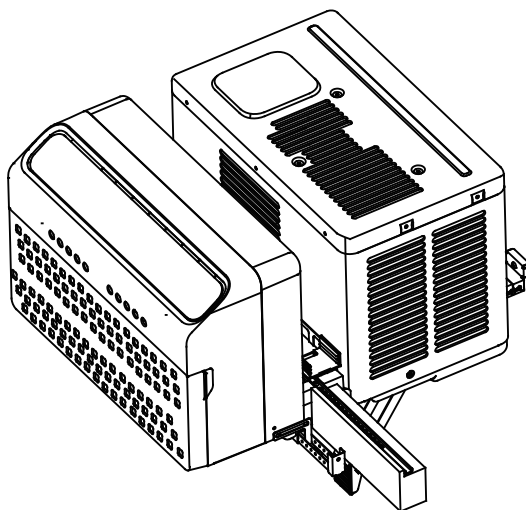
All the illustrations in this manual are for explanation purpose only. The actual installation may vary.

Scan the following QR code for an installation video.

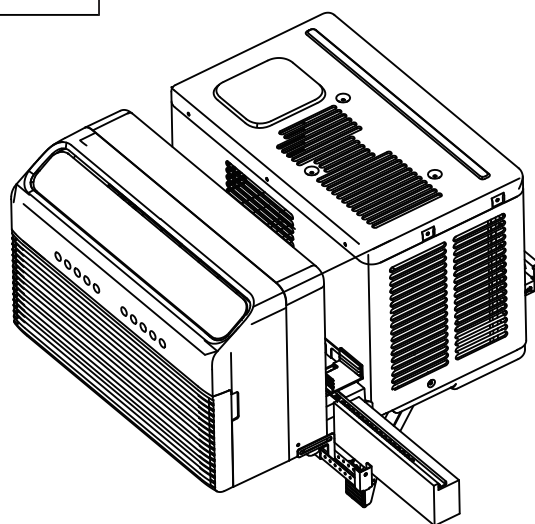




**Model B**



**Model C**



此面板单页仅供制单按面板订制进行替换使用，  
按顺序为QB2,QB3,QB4面板。  
书中所示二维码为美的基准，客版请重新使用  
新的二维码。