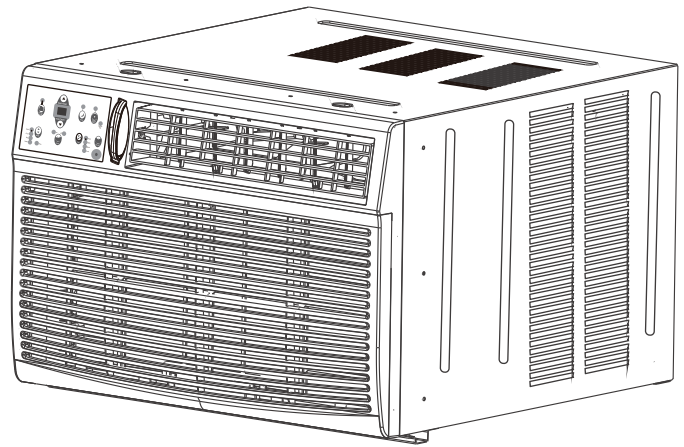
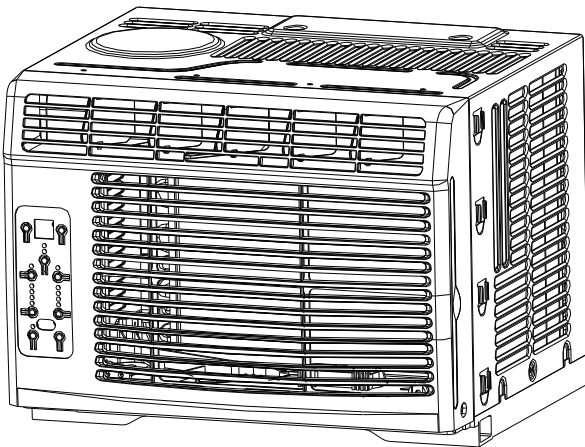


WINDOW/WALL-TYPE ROOM AIR CONDITIONER

Keystone™

USER'S MANUAL



Model: KSTAW05BE KSTAW06BE KSTAW08CE KSTAW12BE KSTAW05CE KSTAW06CE
KSTAW08BE KSTAW10BE KSTAW10CE KSTAW12CE KSTAW15CE

TABLE OF CONTENTS

Important Safety Instructions	1-10	Normal Sounds(for 15000Btu)	26
Installation Instructions(for 5000 to 12000Btu/h)...	11-14	Air Conditioner Features(for 15000Btu) .	26-28
Normal Sounds(for 5000 to 12000Btu/h)	15	Care and Cleaning.....	29
Air Conditioner Features(for 5000 to 12000Btu/h).15-17		Troubleshooting Tip.....	30
Installation Instructions(for 15000Btu)	18-25	Warranty Term.....	31

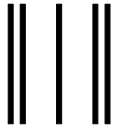
Before using your air conditioner, please read this manual carefully and keep it for future reference.

MIDEA AMERICA CORPORATION
PRODUCT REGISTRATION CENTER
11411 NW 107th Street Suite 12
Miami, FL 33178



PLACE
STAMP
HERE

Postage
Required,
Post Office will
not deliver
without proper
postage.





Product Warranty Card

Tarjeta de Garantia de Producto

Air conditioner warranty

Your product is protected by this warranty:
Your appliance is warranted by Midea. Any obligations for services and parts under this warranty must be performed by Midea Consumer Services or an authorized Midea servicer
To contact a Customer Service Representative, Call Midea TOLL FREE

1-866-646-4332®

Garantía

Su producto está protegido por esta garantía:
Su producto está garantizado por Midea. Cualquier obligación de proporcionar servicio o repuestos establecida en esta garantía deberá ser cumplida por los Servicios al consumidor de Midea o por un representante autorizado de Midea.
Para comunicarse con un Representante de Servicio al Cliente, tenga la bondad de llamar por teléfono sin cargo alguno a Midea, al número:





1-866-646-4332®

IMPORTANT SAFETY INSTRUCTIONS














READ THIS MANUAL

Inside you will find many helpful hints on how to use and maintain your air conditioner properly. Just a little preventive care on your part can save you a great deal of time and money over the life of your air conditioner. You'll find many answers to common problems in the chart of troubleshooting tips. If you review our chart of Troubleshooting Tips first, you may not need to call for service at all.

To prevent injury to the user or other people and property damage, the following instructions must be followed. Incorrect operation due to ignoring of instructions may cause harm or damage. The seriousness is classified by the following indications.

 WARNING	This symbol indicates the possibility of death or serious injury.		
 CAUTION	This symbol indicates the possibility of injury or damage to property.		
	Never do this.		Always do this.

WARNING

<p> Plug in power plug properly.</p> <ul style="list-style-type: none"> Otherwise, it may cause electric shock or fire due to excess heat generation. 	<p> Do not operate or stop the unit by inserting or pulling out the power plug.</p> <ul style="list-style-type: none"> It may cause electric shock or fire due to heat generation. 	<p> Do not damage or use an unspecified power cord.</p> <ul style="list-style-type: none"> It may cause electric shock or fire. If the power cord is damaged, it must be replaced by the manufacturer or an authorised service centre or a similarly qualified person in order to avoid a hazard.
<p> Always install circuit breaker and a dedicated power circuit.</p> <ul style="list-style-type: none"> Incorrect installation may cause fire and electric shock. 	<p> Do not operate with wet hands or in damp environment.</p> <ul style="list-style-type: none"> It may cause electric shock. 	<p> Do not direct airflow at room occupants only.</p> <ul style="list-style-type: none"> This could damage your health.
<p> Always ensure effective grounding.</p> <ul style="list-style-type: none"> Incorrect grounding may cause electric shock. 	<p> Do not allow water to run into electric parts.</p> <ul style="list-style-type: none"> It may cause failure of machine or electric shock. 	<p> Do not modify power cord length or share the outlet with other appliances.</p> <ul style="list-style-type: none"> It may cause electric shock or fire due to heat generation.
<p> Unplug the unit if strange sounds, smell, or smoke comes from it.</p> <ul style="list-style-type: none"> It may cause fire and electric shock. 	<p> Do not use the socket if it is loose or damaged.</p> <ul style="list-style-type: none"> It may cause fire and electric shock. 	<p> Do not open the unit during operation.</p> <ul style="list-style-type: none"> It may cause electric shock.
<p> Keep firearms away.</p> <ul style="list-style-type: none"> It may cause fire. 	<p> Do not use the power cord close to heating appliances.</p> <ul style="list-style-type: none"> It may cause fire and electric shock. 	<p> Do not use the power cord near flammable gas or combustibles, such as gasoline, benzene, thinner, etc.</p> <ul style="list-style-type: none"> It may cause an explosion or fire.
<p> Ventilate room before operating air conditioner if there is a gas leakage from another appliance.</p> <ul style="list-style-type: none"> It may cause explosion, fire and, burns. 	<p> Do not disassemble or modify unit.</p> <ul style="list-style-type: none"> It may cause failure and electric shock. 	

IMPORTANT SAFETY INSTRUCTIONS

CAUTION

⊘ When the air filter is to be removed, do not touch the metal parts of the unit.

- It may cause an injury.

⊘ Do not use strong detergent such as wax or thinner but use a soft cloth.

- Appearance may be deteriorated due to change of product color or scratching of its surface.

⊘ Stop operation and close the window in storm or hurricane.

- Operation with windows opened may cause wetting of indoor and soaking of household furniture.

⊘ Always insert the filters securely. Clean filter once every two weeks.

- Operation without filters may cause failure.

⊘ Do not place obstacles around air-inlets or inside of air-outlet.

- It may cause failure of appliance or accident.

⊘ Use caution when unpacking and installing. Sharp edges could cause injury.

⊘ Do not put a pet or house plant where it will be exposed to direct air flow.

- This could injure the pet or plant.

⊘ Do not clean the air conditioner with water.

- Water may enter the unit and degrade the insulation. It may cause an electric shock.

⊘ When the unit is to be cleaned, switch off, and turn off the circuit breaker.

- Do not clean unit when power is on as it may cause fire and electric shock, it may cause an injury.

⊘ Hold the plug by the head of the power plug when taking it out.

- It may cause electric shock and damage.

⊘ Do not place heavy object on the power cord and ensure that the cord is not compressed.

- There is danger of fire or electric shock.

⊘ If water enters the unit, turn the unit off at the power outlet and switch off the circuit breaker. Isolate supply by taking the power-plug out and contact a qualified service technician.

⊘ Ventilate the room well when used together with a stove, etc.

- An oxygen shortage may occur.

⊘ Do not use for special purposes.

- Do not use this air conditioner to preserve precision devices, food, pets, plants, and art objects. It may cause deterioration of quality, etc.

⊘ Ensure that the installation bracket of the outdoor appliance is not damaged due to prolonged exposure.

- If bracket is damaged, there is concern of damage due to falling of unit.

⊘ Turn off the main power switch when not using the unit for a long time.

- It may cause failure of product or fire.

⊘ Do not drink water drained from air conditioner.

- It contains contaminants and could make you sick.

CAUTION

- This appliance is not intended for use by persons (including children) with reduced physical, sensory or mental capabilities or lack of experience and knowledge, unless they have been given supervision or instruction concerning use of the appliance by a person responsible for their safety.
- Children should be supervised to ensure that they do not play with the appliance.
- If the supply cord is damaged, it must be replaced by the manufacturer, its service agent or similarly qualified persons in order to avoid a hazard.

- The appliance shall be installed in accordance with national wiring regulations.
- Do not operate your air conditioner in a wet room such as a bathroom or laundry room.
- The appliance with electric heater shall have at least 1 meter space to the combustible materials.
- Contact the authorised service technician for repair or maintenance of this unit.
- Contact the authorised installer for installation of this unit.

IMPORTANT SAFETY INSTRUCTIONS

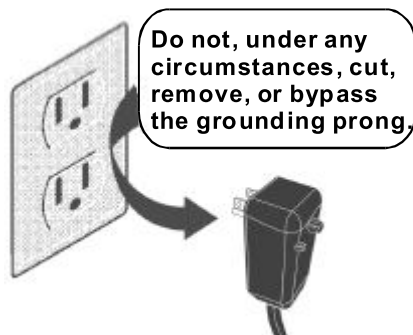
NOTE:

The power supply cord with this air conditioner contains a current detection device designed to reduce the risk of fire. Please refer to the section Operation of Current Device for details. In the event that the power supply cord is damaged, it cannot be repaired—it must be replaced with a cord from the Product Manufacturer.

WARNING

Avoid fire hazard or electric shock. Do not use an extension cord or an adaptor plug. Do not remove any prong from the power cord.

Grounding type wall receptacle



Power supply cord with 3-prong grounding plug and current detection device

WARNING

For Your Safety

Do not store or use gasoline or other flammable vapors and liquids in the vicinity of this or any other appliance.

WARNING

Prevent Accidents

To reduce the risk of fire, electrical shock, or injury to persons when using your air conditioner, follow basic precautions, including the following:

- Be sure the electrical service is adequate for the model you have chosen. This information can be found on the serial plate, which is located on the side of the cabinet and behind the grille.
- If the air conditioner is to be installed in a window, you will probably want to clean both sides of the glass first. If the window is a triple-track type with a screen panel included, remove the screen completely before installation.
- Be sure the air conditioner has been securely and correctly installed according to the installation instructions in this manual. Save this manual for possible future use in removing or installing this unit.
- When handling the air conditioner, be careful to avoid cuts from sharp metal fins on front and rear coils.

WARNING

Electrical Information

The complete electrical rating of your new room air conditioner is stated on the serial plate. Refer to the rating when checking the electrical requirements.

- Be sure the air conditioner is properly grounded. To minimize shock and fire hazards, proper grounding is important. The power cord is equipped with a three-prong grounding plug for protection against shock hazards.
- Your air conditioner must be used in a properly grounded wall receptacle. If the wall receptacle you intend to use is not adequately grounded or protected by a time delay fuse or circuit breaker, have a qualified electrician install the proper receptacle. Ensure the receptacle is accessible after the unit installation.
- Do not run air conditioner without side protective cover in place. This could result in mechanical damage within the air conditioner.
- **Do not use an extension cord or an adaptor plug.**

Operation of Current Device

(Applicable to the unit adopts current detection device only)

The power supply cord contains a current device that senses damage to the power cord. To test your power supply cord do the following:

1. Plug in the Air Conditioner.
2. The power supply cord will have TWO buttons on the plug head. Press the TEST button, you will notice a click as the RESET button pops out.
3. Press the RESET button, again you will notice a click as the button engages.
4. The power supply cord is now supplying electricity to the unit. (On some products this is also indicated by a light on the plug head.)

NOTE:

- Do not use this device to turn the unit on or off.
- Always make sure the RESET button is pushed in for correct operation.
- The power supply must be replaced if it fails reset when either the TEST button is pushed, or it cannot be reset. A new one can be obtained from the product manufacturer.
- If power supply cord is damaged, it cannot be repaired. It MUST be replaced by one obtained from the product manufacturer.

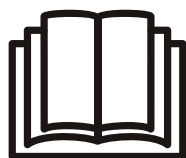
NOTE: This air conditioner is designed to be operated under condition as follows:

Cooling operation	Outdoor temp:	64-109°F/18-43°C (64-125°F/18-52°C for special tropical models)
	Indoor temp:	62-90°F/17-32°C
Heating operation	Outdoor temp:	23-76°F/-5-24°C
	Indoor temp:	32-80°F/0-27°C

Note: Performance may be reduced outside of these operating temperatures.

WARNING (FOR USING R290/R32 REFRIGERANT ONLY)

- Do not use means to accelerate the defrosting process or to clean, other than those recommended by the manufacturer.
- The appliance shall be stored in a room without continuously operating ignition sources (for example: open flames, an operating gas appliance) and ignition sources (for example: an operating electric heater) close to the appliance. The appliance shall be stored in a room without continuously operating ignition sources (for example: open flames, an operating gas appliance or an operating electric heater).
- Do not pierce or burn.
- Be aware that the refrigerants may not contain an odor.
- Compliance with national gas regulations shall be observed.
- Keep ventilation openings clear of obstruction.
- The appliance shall be stored so as to prevent mechanical damage from occurring.
- A warning that the appliance shall be stored in a well-ventilated area where the room size corresponds to the room area as specified for operation.
- Any person who is involved with working on or breaking into a refrigerant circuit should hold a current valid certificate from an industry-accredited assessment authority, which authorizes their competence to handle refrigerants safely in accordance with an industry recognized assessment specification.
- Servicing shall only be performed as recommended by the equipment manufacturer.
- Maintenance and repair requiring the assistance of other skilled personnel shall be carried out under the supervision of the person competent in the use of flammable refrigerants.
- DO NOT modify the length of the power cord or use an extension cord to power the unit.
- DO NOT share a single outlet with other electrical appliances. Improper power supply can cause fire or electrical shock.
- Please follow the instruction carefully to handle, install, clear or service the air conditioner to avoid any damage or hazard. Flammable Refrigerant R32 is used within air conditioner. When maintaining or disposing the air conditioner, the refrigerant (R32 or R290) shall be properly recovered and not discharged into the air.
- No open fire or device which may generate spark/arcing shall be around air conditioner to avoid causing ignition of the flammable refrigerant used. Please follow the instruction carefully to store or maintain the air conditioner to prevent mechanical damage from occurring.
- Flammable refrigerant R32 is used in air conditioner. Please follow the instruction carefully to avoid any hazard.







IMPORTANT NOTE

Read this manual carefully before installing or operating your new air conditioning unit.
Make sure to save this manual for future reference.

CAUTION

Risk of fire/flammable materials (Required for R32/R290 units only)

Explanation of symbols displayed on the unit (For the unit adopts R32/R290 Refrigerant only):

	WARNING	This symbol shows that this appliance used a flammable refrigerant. If the refrigerant is leaked and exposed to an external ignition source, there is a risk of fire.
	CAUTION	This symbol shows that the operation manual should be read carefully.
	CAUTION	This symbol shows that a service personnel should be handling this equipment with reference to the installation manual.
	CAUTION	This symbol shows that information is available such as the operating manual or installation manual.

WARNINGS (for using R290/R32 refrigerant only)

1. Transport of equipment containing flammable refrigerants

See transport regulations.

2. Marking of equipment using signs

See local regulations.

3. Disposal of equipment using flammable refrigerants

See national regulations.

4. Storage of equipment/appliances

The storage of equipment should be in accordance with the manufacturer's instructions.

5. Storage of packed (unsold) equipment

Storage package protection should be constructed such that mechanical damage to the equipment inside the package will not cause a leak of the refrigerant charge.

The maximum number of pieces of equipment permitted to be stored together will be determined by local regulations.

6. Information on servicing

- a) Checks to the area: Prior to beginning work on systems containing flammable refrigerants, safety checks are necessary to ensure that the risk of ignition is minimized. For repair to the refrigerating system, the following precautions shall be complied with prior to conducting work on the system.
- b) Work procedure: Work shall be undertaken under a controlled procedure so as to minimize the risk of a flammable gas or vapour being present while the work is being performed.
- c) General work area: All maintenance staff and others working in the local area shall be instructed on the nature of work being carried out. Work in confined spaces shall be avoided. The area around the workspace shall be sectioned off. Ensure that the conditions within the area have been made safe by control of flammable material.
- d) Checking for presence of refrigerant: The area shall be checked with an appropriate refrigerant detector prior to and during work, to ensure the technician is aware of potentially flammable atmospheres. Ensure that the leak detection equipment being used is suitable for use with flammable refrigerants, i.e. non-sparking, adequately sealed or intrinsically safe.
- e) Presence of fire extinguisher: If any hot work is to be conducted on the refrigeration equipment or any associated parts, appropriate fire extinguishing equipment shall be available to hand. Have a dry powder or CO2 fire extinguisher adjacent to the charging area.

- f) No ignition sources: No person carrying out work in relation to a refrigeration system which involves exposing any pipe work that contains or has contained flammable refrigerant shall use any sources of ignition in such a manner that it may lead to the risk of fire or explosion. All possible ignition sources, including cigarette smoking, should be kept sufficiently far away from the site of installation, repairing, removing and disposal, during which flammable refrigerant can possibly be released to the surrounding space. Prior to work taking place, the area around the equipment is to be surveyed to make sure that there are no flammable hazards or ignition risks. No Smoking signs shall be displayed.
- g) Ventilated area: Ensure that the area is in the open or that it is adequately ventilated before breaking into the system or conducting any hot work. A degree of ventilation shall continue during the period that the work is carried out. The ventilation should safely disperse any released refrigerant and preferably expel it externally into the atmosphere.
- h) Checks to the refrigeration equipment: Where electrical components are being changed, they shall be fit for the purpose and to the correct specification. At all times the manufacturer's maintenance and service guidelines shall be followed. If in doubt consult the manufacturer's technical department for assistance. The following checks shall be applied to installations using flammable refrigerants:
- The charge size is in accordance with the room size within which the refrigerant containing parts are installed;
 - The ventilation machinery and outlets are operating adequately and are not obstructed;
 - If an indirect refrigerating circuit is being used, the secondary circuit shall be checked for the presence of refrigerant;
 - Marking to the equipment continues to be visible and legible. Markings and signs that are illegible shall be corrected;
 - Refrigeration pipe or components are installed in a position where they are unlikely to be exposed to any substance which may corrode refrigerant containing components, unless the components are constructed of materials which are inherently resistant to being corroded or are suitably protected against being so corroded.
- i) Checks to electrical devices: Repair and maintenance to electrical components shall include initial safety checks and component inspection procedures. If a fault exists that could compromise safety, then no electrical supply shall be connected to the circuit until it is satisfactorily dealt with. If the fault cannot be corrected immediately but it is necessary to continue operation, an adequate temporary solution shall be used. This shall be reported to the owner of the equipment so all parties are advised. Initial safety checks shall include:
- That capacitors are discharged: this shall be done in a safe manner to avoid possibility of sparking;
 - That there no live electrical components and wiring are exposed while charging, recovering or purging the system;
 - That there is continuity of grounding.

7. Repairs to sealed components

- a) During repairs to sealed components, all electrical supplies shall be disconnected from the equipment being worked upon prior to any removal of sealed covers, etc. If it is absolutely necessary to have an electrical supply to equipment during servicing, then a permanently operating form of leak detection shall be located at the most critical point to warn of a potentially hazardous situation.

- b) Particular attention shall be paid to the following to ensure that by working on electrical components, the casing is not altered in such a way that the level of protection is affected. This shall include damage to cables, excessive number of connections, terminals not made to original specification, damage to seals, incorrect fitting of glands, etc.
- Ensure that apparatus is mounted securely.
 - Ensure that seals or sealing materials have not degraded such that they no longer serve the purpose of preventing the ingress of flammable atmospheres. Replacement parts shall be in accordance with the manufacturer's specifications.

▲ NOTE: The use of silicon sealant may inhibit the effectiveness of some types of leak detection equipment. Intrinsically safe components do not have to be isolated prior to working on them.

8. Repair to intrinsically safe components

Do not apply any permanent inductive or capacitance loads to the circuit without ensuring that this will not exceed the permissible voltage and current permitted for the equipment in use.

Intrinsically safe components are the only types that can be worked on while live in the presence of a flammable atmosphere. The test apparatus shall be at the correct rating.

Replace components only with parts specified by the manufacturer. Other parts may result in the ignition of refrigerant in the atmosphere from a leak.

9. Cabling

Check that cabling will not be subject to wear, corrosion, excessive pressure, vibration, sharp edges or any other adverse environmental effects. The check shall also take into account the effects of aging or continual vibration from sources such as compressors or fans.

10. Detection of flammable refrigerants

Under no circumstances shall potential sources of ignition be used in the searching for or detection of refrigerant leaks. A halide torch (or any other detector using a naked flame) shall not be used.

11. Leak detection methods

The following leak detection methods are deemed acceptable for systems containing flammable refrigerants. Electronic leak detectors shall be used to detect flammable refrigerants, but the sensitivity may not be adequate, or may need re-calibration. (Detection equipment shall be calibrated in a refrigerant-free area.) Ensure that the detector is not a potential source of ignition and is suitable for the refrigerant used. Leak detection equipment shall be set at a percentage of the LFL of the refrigerant and shall be calibrated to the refrigerant employed and the appropriate percentage of gas (25 % maximum) is confirmed. Leak detection fluids are suitable for use with most refrigerants but the use of detergents containing chlorine shall be avoided as the chlorine may react with the refrigerant and corrode the copper pipe-work. If a leak is suspected, all naked flames shall be removed/ extinguished. If a leakage of refrigerant is found which requires brazing, all of the refrigerant shall be recovered from the system, or isolated (by means of shut off valves) in a part of the system remote from the leak. Oxygen free nitrogen (OFN) shall then be purged through the system both before and during the brazing process.

12. Removal and evacuation

When breaking into the refrigerant circuit to make repairs or for any other purpose conventional procedures shall be used. However, it is important that best practice is followed since flammability is a consideration. Opening of the refrigeration systems shall not be done by brazing. The following procedure shall be adhered to:

- Remove refrigerant;

- Purge the circuit with inert gas;
- Evacuate;
- Purge again with inert gas;
- Open the circuit by cutting or brazing.

The refrigerant charge shall be recovered into the correct recovery cylinders. The system shall be flushed with OFN to render the unit safe. This process may need to be repeated several times. Compressed air or oxygen shall not be used for this task.

Flushing shall be achieved by breaking the vacuum in the system with OFN and continuing to fill until the working pressure is achieved, then venting to atmosphere, and finally pulling down to a vacuum. This process shall be repeated until no refrigerant is within the system. When the final OFN charge is used, the system shall be vented down to atmospheric pressure to enable work to take place. This operation is absolutely vital if brazing operations on the pipe-work are to take place.

Ensure that the outlet for the vacuum pump is not close to any ignition sources and there is ventilation available.

13. Charging procedures

In addition to conventional charging procedures, the following requirements shall be followed.

- Ensure that contamination of different refrigerants does not occur when using charging equipment. Hoses or lines shall be as short as possible to minimize the amount of refrigerant contained in them.
- Cylinders shall be kept upright.
- Ensure that the refrigeration system is earthed prior to charging the system with refrigerant.
- Label the system when charging is complete (if not already).
- Extreme care shall be taken not to overfill the refrigeration system.
- Prior to recharging the system it shall be pressure tested with OFN. The system shall be leak tested on completion of charging but prior to commissioning. A follow up leak test shall be carried out prior to leaving the site.

14. Decommissioning

Before carrying out this procedure, it is essential that the technician is completely familiar with the equipment and all its detail. It is recommended good practice that all refrigerants are recovered safely. Prior to the task being carried out, an oil and refrigerant sample shall be taken in case analysis is required prior to re-use of reclaimed refrigerant. It is essential that electrical power is available before the task is commenced.

- a) Become familiar with the equipment and its operation.
- b) Isolate system electrically.
- c) Before attempting the procedure ensure that: Mechanical handling equipment is available, if required, for handling refrigerant cylinders; All personal protective equipment is available and being used correctly; The recovery process is supervised at all times by a competent person; Recovery equipment and cylinders conform to the appropriate standards.
- d) Pump down refrigerant system, if possible.
- e) If a vacuum is not possible, make a manifold so that refrigerant can be removed from various parts of the system.
- f) Make sure that cylinder is situated on the scales before recovery takes place.

- g) Start the recovery machine and operate in accordance with manufacturer's instructions.
- h) Do not overfill cylinders. (No more than 80 % volume liquid charge).
- i) Do not exceed the maximum working pressure of the cylinder, even temporarily.
- j) When the cylinders have been filled correctly and the process completed, make sure that the cylinders and the equipment are removed from site promptly and all isolation valves on the equipment are closed off.
- k) Recovered refrigerant shall not be charged into another refrigeration system unless it has been cleaned and checked.

15. Labelling

Equipment shall be labelled stating that it has been de-commissioned and emptied of refrigerant. The label shall be dated and signed. Ensure that there are labels on the equipment stating the equipment contains flammable refrigerant.

16. Recovery

When removing refrigerant from a system, either for servicing or decommissioning, it is recommended good practice that all refrigerants are removed safely.

When transferring refrigerant into cylinders, ensure that only appropriate refrigerant recovery cylinders are employed. Ensure that the correct number of cylinders for holding the total system charge is available. All cylinders to be used are designated for the recovered refrigerant and labelled for that refrigerant (i.e. special cylinders for the recovery of refrigerant). Cylinders shall be complete with pressure relief valve and associated shut-off valves in good working order.

Empty recovery cylinders are evacuated and, if possible, cooled before recovery occurs.

The recovery equipment shall be in good working order with a set of instructions concerning the equipment that is at hand and shall be suitable for the recovery of flammable refrigerants. In addition, a set of calibrated weighing scales shall be available and in good working order.

Hoses shall be complete with leak-free disconnect couplings and in good condition. Before using the recovery machine, check that it is in satisfactory working order, has been properly maintained and that any associated electrical components are sealed to prevent ignition in the event of a refrigerant release. Consult manufacturer if in doubt.

The recovered refrigerant shall be returned to the refrigerant supplier in the correct recovery cylinder, and the relevant Waste Transfer Note arranged. Do not mix refrigerants in recovery units and especially not in cylinders. If compressors or compressor oils are to be removed, ensure that they have been evacuated to an acceptable level to make certain that flammable refrigerant does not remain within the lubricant. The evacuation process shall be carried out prior to returning the compressor to the suppliers. Only electric heating to the compressor body shall be employed to accelerate this process. When oil is drained from a system, it shall be carried out safely.

IMPORTANT SAFETY INSTRUCTIONS

STOP BEFORE YOU BEGIN

Read these instructions completely and carefully.

IMPORTANT- Save these instructions for local inspector's use.

IMPORTANT- Observe all governing codes and ordinances.

Note to Installer- Be sure to leave these instructions with the Consumer.

Note to Consumer- Keep these instructions for future reference.

Skill level- Installation of this appliance requires basic mechanical skills.

Completion time- Approximately 1 hour. We recommend that two people install this product.

Proper installation is the responsibility of the installer.

Product failure due to improper installation is not covered under the Warranty.

You **MUST** use all supplied parts and use proper installation procedures as described in these instructions when installing this air conditioner.

! WINDOW REQUIREMENTS

Your air conditioner is designed to install in standard double hung windows with opening widths of 23 to 36 inches (584mm to 914mm).

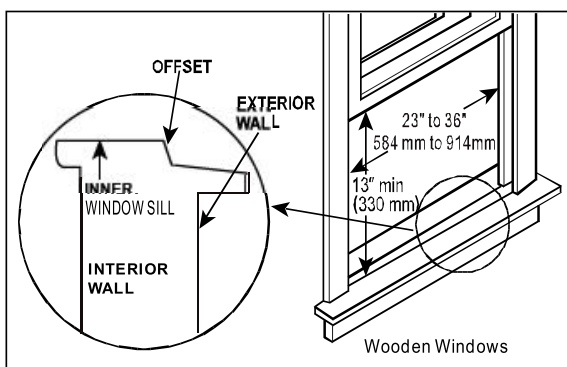


Table 1

! CAUTION

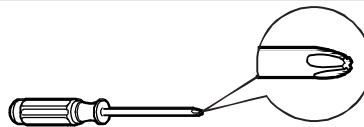
Do not, under any circumstances, cut or remove the third (ground) prong from the power cord.

Do not change the plug on the power cord of the air conditioner.

Aluminum house wiring may present special problems- consult a qualified electrician.

When handling unit, be careful to avoid cuts from sharp metal edges and aluminum fins on front and rear coils.

TOOLS YOU WILL NEED



Screwdriver



Level

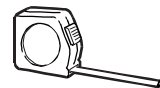
TOOLS YOU MAY USE



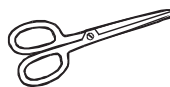
Screwdriver



Pencil



Ruler or tape measure



Scissors or knife

! NOTE:

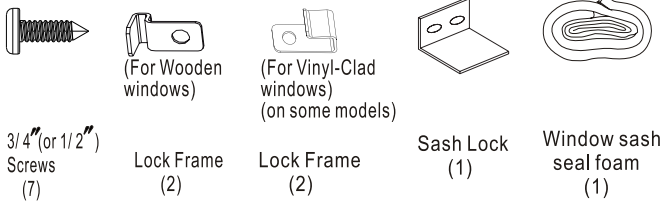
Save Carton and these Installation Instructions for future reference. The carton is the best way to store unit during winter, or when not in use.

INSTALLATION INSTRUCTIONS (for 5000 to 12000Btu/h)

1 PREPARE THE WINDOW

Lower sash must open sufficiently to allow a clear vertical opening of 13 inches (330mm). Side louvers and the rear of the AC must have clear air space to allow enough airflow through the condenser, for heat removal. The rear of the unit must be outdoors, not inside a building or garage.

Mounting Hardware



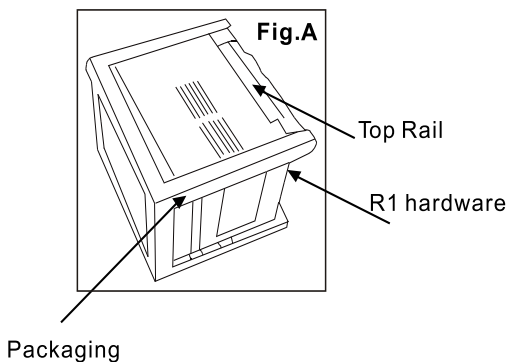
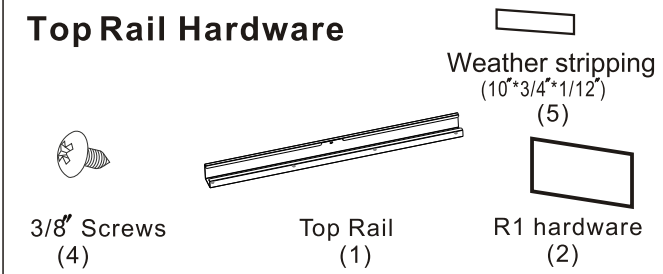
NOET: Weather stripping is only for Energy star models.

2 PREPARE AIR CONDITIONER

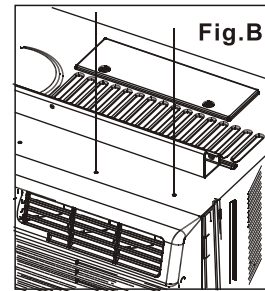
A: Remove the air conditioner from the carton and place on a flat surface.

B: Remove top rail and R1 hardware (R1 hardware only for Energy star models) from the rear of the packaging material as shown in Fig. A.

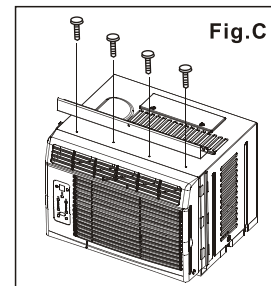
Top Rail Hardware



C: Align the hole in the top rail with those in the top of the unit as shown in Fig.B



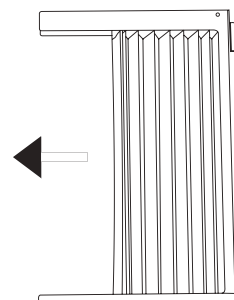
D: Secure the top rail to the unit with the 3/8" Screws as shown in Fig.C.



NOTE: For safety reasons, all four(4) screws MUST be securely fastened.

3 INSTALL THE ACCORDION PANELS

NOTE: Top rail and Sliding Panels at each side are offset to provide the proper pitch to the rear of (5/16"). This is necessary for proper condensed water utilization and drainage. If you are not using the Side Panels for any reason, this pitch to the rear must be maintained.



A. Place unit on floor, a bench or a table. Hold the Accordion Panel in one hand and gently pull back the center to free the open end. See Fig.1

Fig.1

INSTALLATION INSTRUCTIONS

- B. Slide the free end " I " section of the panel directly into the cabinet as shown in Fig. 2. Slide the panel down. Be sure to leave enough space to slip the top and bottom of the frame into the rails on the cabinet.

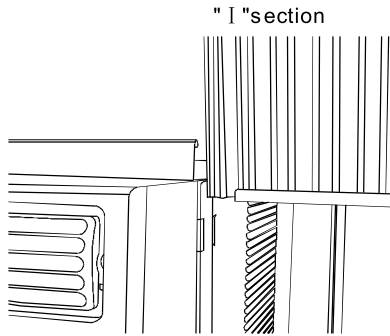


Fig.2

- C. Once the panel has been installed on the side of the cabinet, make sure it sits securely inside the frame channel by making slight adjustments. Slide the top and bottom ends of the frame into the top and bottom rails of the cabinet. Fig.3.

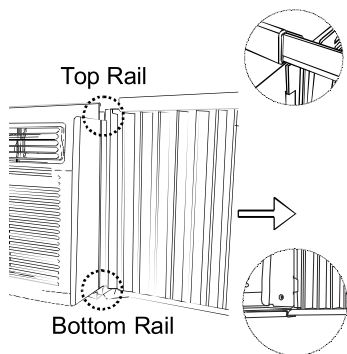
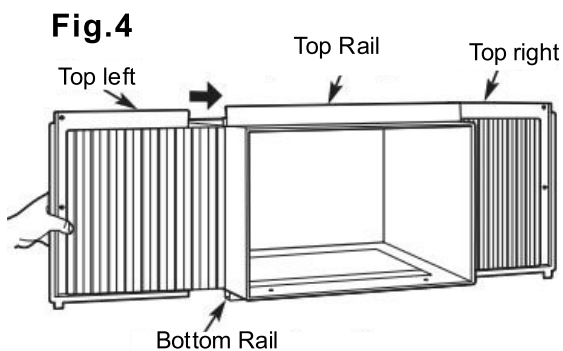


Fig.3

- D. Slide the panel all the way in and repeat on the other side.



NOTE: If storm window blocks AC, see Fig. 11.

4 SECURE THE ACCORDION PANELS

- A. Keep a firm grip on the air conditioner, carefully place the unit into the window opening so the bottom of the air conditioner frame is against the window sill (Fig.5). Carefully close the window behind the top rail of the unit.

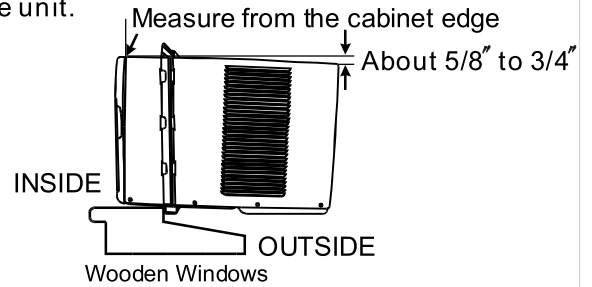


Fig.5

NOTE: Check that air conditioner is tilted back about $5/8''$ to $3/4''$ (tilted about 3° to 4° downward to the outside). After proper installation, condensate should not drain from the overflow drain hole during normal use, correct the slope otherwise.

- B. Extend the side panels out against the window frame (Fig.6).

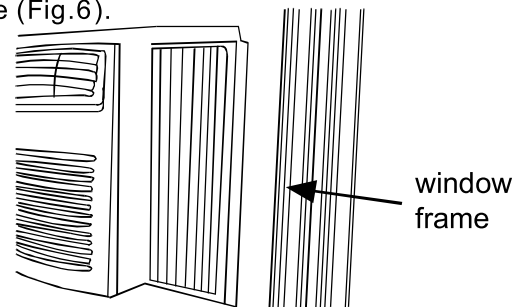


Fig.6

5 INSTALL SUPPORT BRACKET

- A. Place the frame lock between the frame extensions and the window sill as shown (Fig.7). Drive $3/4''$ (19mm) or $1/2''$ (12.7mm) locking screws through the frame lock and into the sill.

NOTE: To prevent window sill from splitting, drill $1/8''$ (3mm) pilot holes before driving screws.

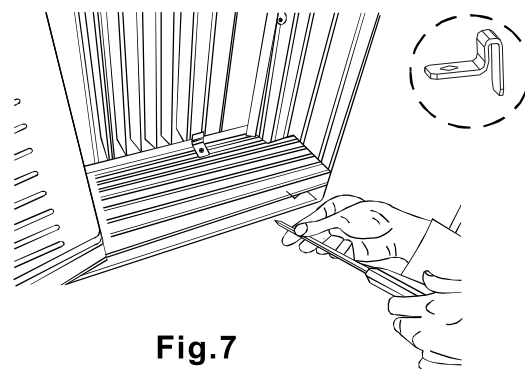


Fig.7

INSTALLATION INSTRUCTIONS

B. Drive 3/4" (19mm) or 1/2" (12.7mm) locking screws through frame holes into window sash (Fig.8).

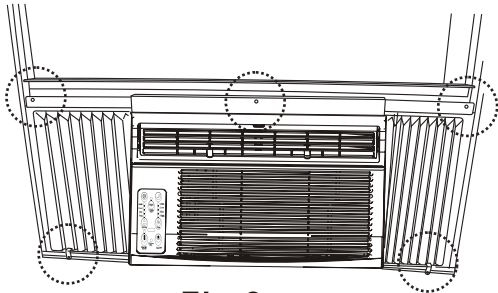


Fig.8

C. To secure lower sash in place, attach right angle sash lock with 3/4" (19mm) or 1/2" (12.7mm) screw as shown (Fig.9).



Fig.9

D. Cut Window sash seal foam and insert it in the space between the upper and lower sashes (Fig.10).

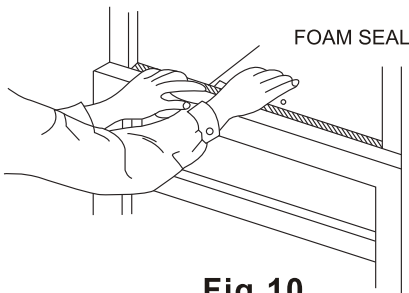


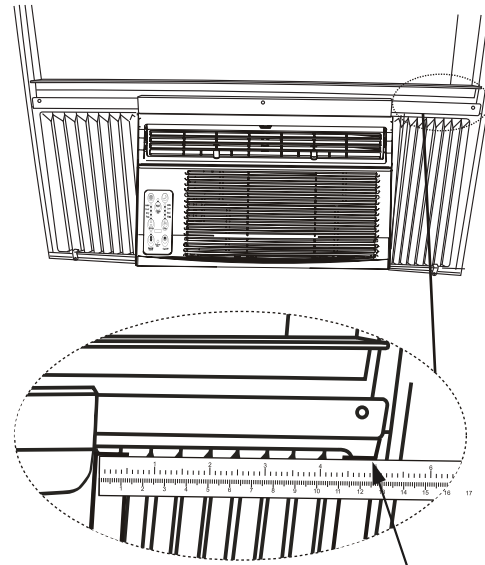
Fig.10

6 INSTALL R1 HARDWARE (only be applicable to Energy star models)

In order to minimize air leaks and ensure optimal insulation, it is necessary to install the included R1 hardware to the side curtain. Follow the instructions below.

Step 1. After the unit is installed to the window, measure the inner width of the side curtain as shown (Fig.11).

Step 2. Remark a line on the provide R1 insulation panel according to a length 1/8" (3mm) less than the measured width in step 1, then cut the R1 insulation panel along the line (Fig.12).



Measure the inner width of the side curtain

Fig.11

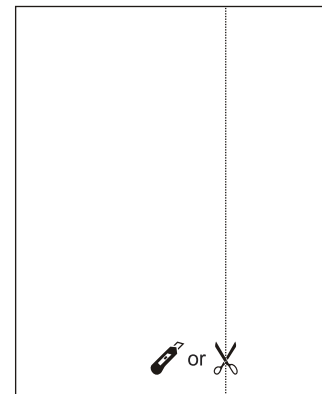


Fig.12

Step 3. Slide the R1 insulation panel into the side curtain, the side with pattern should facing the indoor side. (Fig.13).

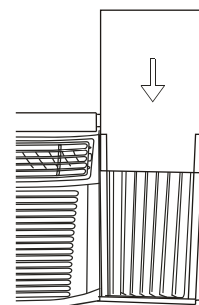


Fig.13

Step 4. Repeat on the other side.

INSTALLATION INSTRUCTIONS

7 INSTALL WEATHER STRIPPING (only be applicable to Energy star models)

In order to minimize air leaks between the room air conditioner and the window opening, trim the weather stripping with a proper length, peel off the protective backing and plug any gaps if needed (Fig. 14).

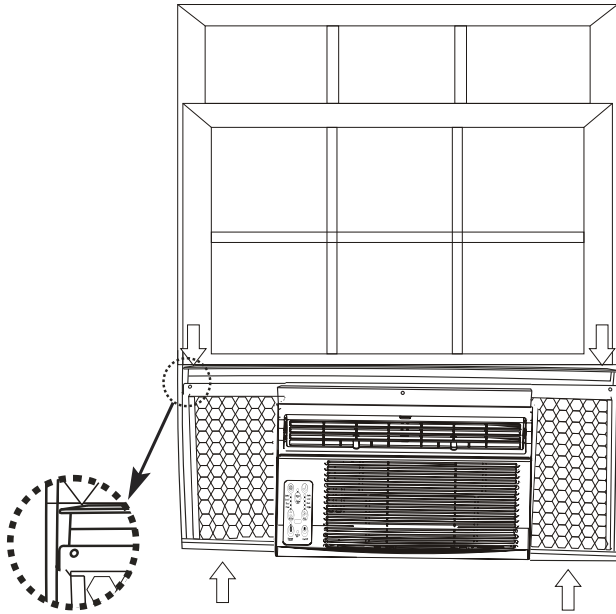


Fig.14

If AC is Blocked by Storm Window

Add wood as shown in Fig. 15, or remove storm window before air conditioner is installed.

If Storm Window Frame must remain, be sure the drain holes or slots are not caulked or painted shut. Accumulated Rain Water or Condensation must be allowed to drain out.

Removing AC From Window

Turn AC off, and disconnect power cord.

Remove sash seal from between windows, and unscrew safety sash lock.

Remove screws installed through frame and frame-lock.

Remove the R1 Panel and close (slide) side panels into frame.

Keeping a firm grip on air conditioner, raise sash and carefully remove.

Be carefully not to spill any remaining water while lifting unit from window. Store parts WITH air conditioner.

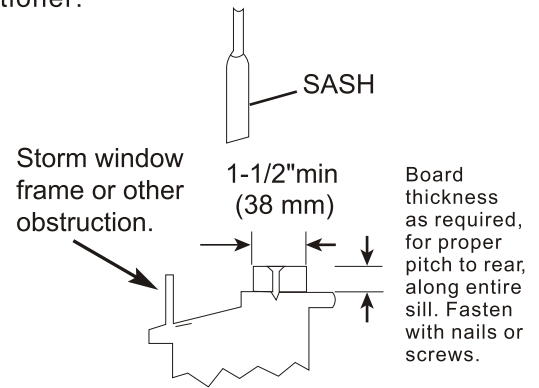


Fig.15

NORMAL SOUNDS

Sound of Rushing Air

At the front of the unit, you may hear the sound of rushing air being moved by the fan

Gurgle/Hiss

"Gurgling or hissing" noise may be heard due to refrigerant passing through evaporator during normal operation.

High Pitched Chatter

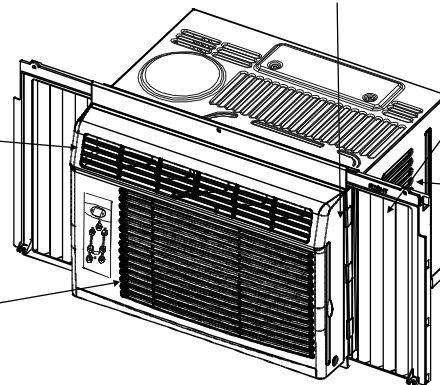
High efficiency compressors may have a high pitched chatter during the cooling cycle.

Vibration

Unit may vibrate and make noise because of poor wall or window "construction or incorrect installation.

Pinging or Switching

Droplets of water hitting condenser during normal operation may cause "pinging or switching" sounds.



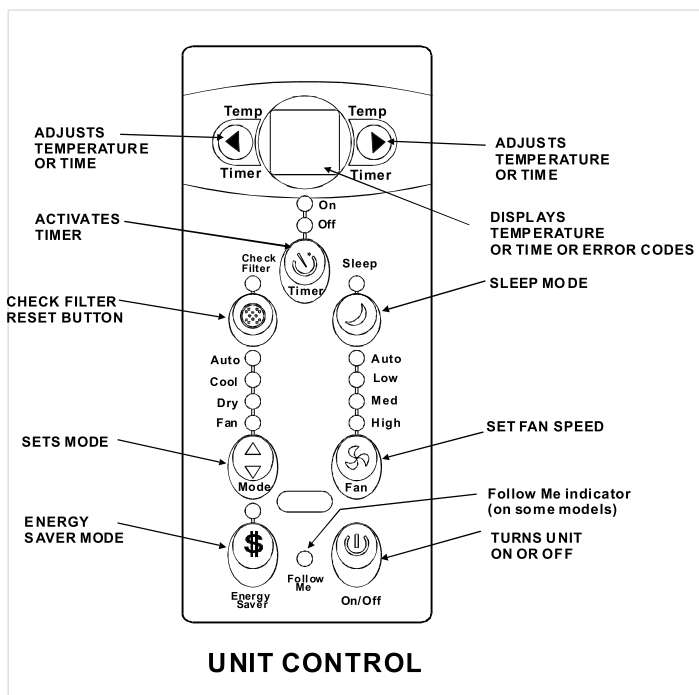
NOTE:

All the illustrations in this manual are for explanation purpose only. Your air conditioner may be slightly different. The actual shape shall prevail.

AIR CONDITIONER FEATURES

ELECTRONIC CONTROL OPERATING INSTRUCTIONS

Before you begin, thoroughly familiarize yourself with the control panel as shown below and all its functions, then follow the symbol for the functions you desire. **The unit can be controlled by the unit control alone or with the remote.**



TO TURN UNIT ON OR OFF:

Press ON/OFF button to turn unit on or off.

NOTE: The unit will initiate automatically the Energy Saver function under Cool, Dry, Auto (only Auto-Cooling and Auto-Fan) modes.


TO CHANGE TEMPERATURE SETTING:

Press UP/DOWN button to change temperature setting.


NOTE: Press or hold either UP () or DOWN () button until the desired temperature is seen on the display. This temperature will be automatically maintained anywhere between 62°F (17°C) and 86°F (30°C). If you want the display to read the actual room temperature, see "To Operate on Fan Only" section.

AIR CONDITIONER FEATURES


TO ADJUST FAN SPEEDS:

Press  to select the Fan Speed in four steps-Auto, Low, Med or High. Each time the button is pressed, the fan speed mode is shifted. On Dry mode, the fan speed is controlled at Low automatically.


SLEEP FEATURE:

Press  Sleep button to initiate the sleep mode. In this mode the selected temperature will increase by 2°F/1(or 2)°C 30 minutes after the mode is selected. The temperature will then increase by another 2°F/1(or 2)°C after an additional 30 minutes. This new temperature will be maintained for 6 hours before it returns to the originally selected temperature. This ends the Sleep mode and the unit will continue to operate as originally programmed. The Sleep mode program can be cancelled at any time during operation by pressing the Sleep button again.

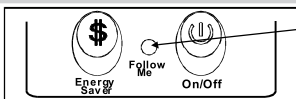
CHECK FILTER FEATURE:

Press  Check filter button to initiate this feature. This feature is a reminder to clean the Air Filter for more efficient operation. The LED(light) will illuminate after 250 hours of operation. To reset after cleaning the filter, press the Check Filter button and the light will go off.

ENERGY SAVER FEATURE:

Press  Energy saver button to initiate this function. This function is available on COOL, DRY, AUTO (only AUTO-COOLING and AUTO-FAN) modes. The fan will continue to run for 3 minutes after the compressor shuts off. The fan then cycles on for 2 minutes at 10 minute intervals until the room temperature is above the set temperature, at which time the compressor turns back on and Cooling Starts.

FOLLOW ME FEATURE:(on some models)




Light flashing

This feature can be activated from the remote control ONLY. The remote control serves as a remote thermostat allowing for the precise temperature control at its location.

To activate the Follow Me feature, point the remote control towards the unit and press the Follow Me button. The remote display is actual temperature at its location. The remote control will send this signal to the air conditioner every 3 minutes interval until press the Follow Me button again. If the unit does not receive the Follow Me signal during any 7 minutes interval, the unit will beep to indicate the Follow Me mode has ended.

TO SELECT THE OPERATING MODE:

To choose operating mode, press  Mode button. Each time you press the button, a mode is selected in a sequence that goes from Auto, Cool, Dry and Fan. The indicator light beside will be illuminated and remained on once the mode is selected.

The unit will initiate automatically the Energy Saver function under Cool, Dry, Auto(only Auto-Cooling and Auto-Fan) modes.

To operate on Auto feature:

- When you set the air conditioner in AUTO mode, it will automatically select cooling, heating(cooling only models without), or fan only operation depending on what temperature you have selected and the room temperature.
- The air conditioner will control room temperature automatically round the temperature point set by you.
- In this mode, the fan speed cannot be adjusted, it starts automatically at a speed according to the room temperature.


To operate on Fan Only:

- Use this function only when cooling is not desired, such as for room air circulation or to exhaust stale air(on some models). (Remember to open the vent during this function, but keep it closed during cooling for maximum cooling efficiency.) You can choose any fan speed you prefer.
- During this function, the display will show the actual room temperature, not the set temperature as in the cooling mode.
- In Fan only mode, the temperature is not adjusted.

To operate on Dry mode:

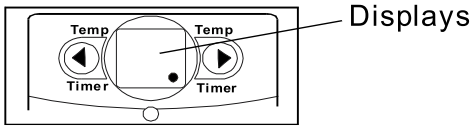
- In this mode, the air conditioner will generally operate in the form of a dehumidifier. Since the conditioned space is a closed or sealed area, some degree of cooling will continue.

TIMER: AUTO START/STOP FEATURE:

- When the unit is on or off, first press  Timer button, the TIMER ON indicator light illuminates. It indicates the Auto Start program is initiated.
- When the time of TIMER ON is displayed, press the Timer button again, the TIMER OFF indicator light illuminates. It indicates the Auto Stop program is initiated.
- Press or hold the UP or DOWN button to change the Auto time by 0.5 hour increments, up to 10 hours, then at 1 hour increments up to 24 hours. The control will count down the time remaining until start.
- The selected time will register in 5 seconds, and the system will automatically revert back to display the previous temperature setting or room temperature when the unit is on.(when the unit is off, there is no display.)
- Turning the unit ON or OFF at any time or adjusting the timer setting to 0.0 will cancel the Auto Start/Stop timed program.

AIR CONDITIONER FEATURES

DISPLAYS:



DISPLAYS:

Shows the set temperature in " °C" or " °F" and the Auto-timer settings. While on Fan only mode, it shows the room temperature.

Error codes:

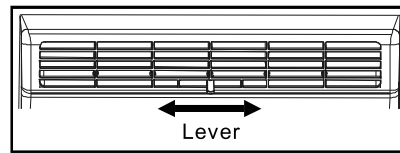
- AS**-Room temperature sensor error-Unplug the unit and plug it back in.If error repeats, call for service.
NOTE:In Fan only mode,it will display "LO" or "HI" .
- Evaporator temperature sensor error-Unplug the unit and plug it back in.If error repeats, call for service.
NOTE: "•" is displayed as shown in the left picture.
- HS**-Electric heating sensor error-Unplug the unit and plug it back in.If error repeats, call for service.

NOTE:

If the unit breaks off unexpectedly due to the power cut, it will restart with the previous function setting automatically when the power resumes.

Air Directional Louvers

Air Directional Louvers



Air Direction

The louvers will allow you to direct the air flow Left or Right throughout the room as needed.

Move the Levers from side to side until the desired Left/Right direction is obtained.

ADDITIONAL THINGS YOU SHOULD KNOW

Now that you have mastered the operating procedure, here are more features in your control that you should become familiar with.

- The Cool circuit has an automatic 3 minute time delayed start if the unit is turned off and on quickly. This prevents overheating of the compressor and possible circuit breaker tripping.The fan will continue to run during this time.
- The control is capable of displaying temperature in degrees Fahrenheit or degrees Celsius. To convert from one to the other, press and hold the Left and Right Temp/Timer buttons at the same time, for 3 seconds.

CARE AND CLEANING

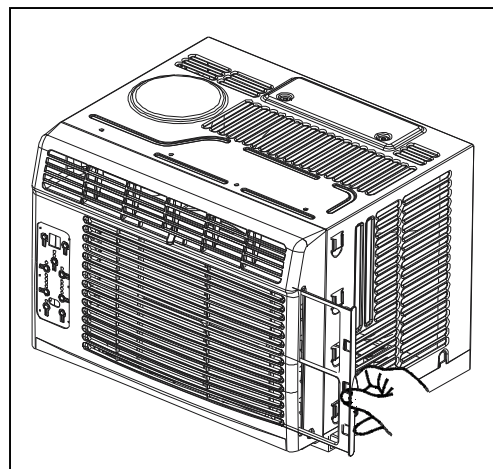
CAUTION

Clean your air conditioner occasionally to keep it looking new. **Be sure to unplug the unit before cleaning to prevent shock or fire hazards.**

Air Filter Cleaning

The air filter should be checked at least once a month to see if cleaning is necessary. Trapped particles in the filter can build up and cause an accumulation of frost on the cooling coils.

Air Filter Cleaning



INSTALLATION INSTRUCTIONS (for 15000 Btu/h)

STOP BEFORE YOU BEGIN

Read these instructions completely and carefully.

IMPORTANT- Save these instructions for local inspector's use.

IMPORTANT- Observe all governing codes and ordinances.

Note to Installer- Be sure to leave these instructions with the Consumer.

Note to Consumer- Keep these instructions for future reference.

Skill level- Installation of this appliance requires basic mechanical skills.

Completion time- Approximately 1 hour. We recommend that two people install this product.

Proper installation is the responsibility of the installer.

Product failure due to improper installation is not covered under the Warranty.

You **MUST** use all supplied parts and use proper installation procedures as described in these instructions when installing this air conditioner.

CAUTION

Do not, under any circumstances, cut or remove the third (ground) prong from the power cord.

Do not change the plug on the power cord of the air conditioner.

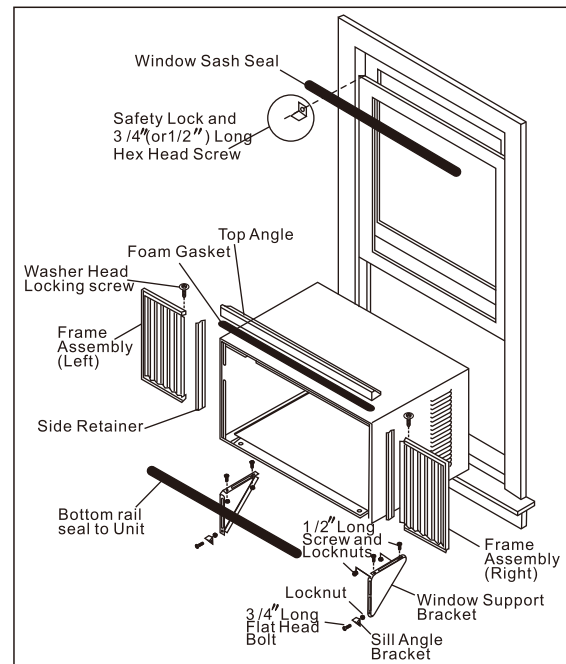
Aluminum house wiring may present special problems- consult a qualified electrician.

When handling unit, be careful to avoid cuts from sharp metal edges and aluminum fins on front and rear coils.

NOTE:

Save Carton and these Installation Instructions for future reference. The carton is the best way to store unit during winter, or when not in use.

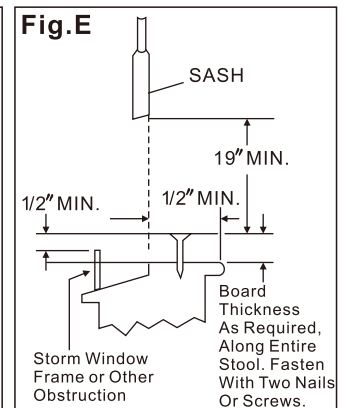
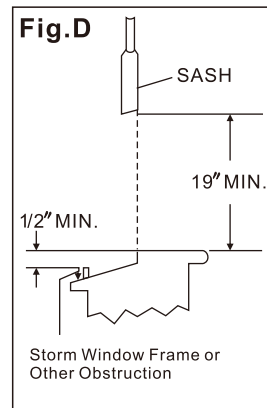
Preliminary Instructions



Do the following before starting to install unit. See illustrations below.

Check dimensions of your unit to determine model type:

Unit Height:	18 5/8"	17 5/8"
Unit Width:	26 1/2"	23 5/8"
Min. Window Opening:	19 1/2"	18 1/2"
Min. Window Width:	31"	28"
Max. Window Width:	42"	40 1/2"



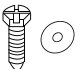


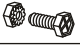
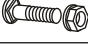


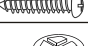

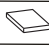



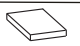

- 1. Check window opening size--** the mounting parts furnished with this air conditioner are made to install in a wooden sill double-hung window. The standard parts are for window dimensions listed above. Open sash to a minimum of 19 inches (483mm). See Fig.D.
- 2. Check condition of window--** all wood parts of window must be in good shape and able to firmly hold the needed screws. If not, make repairs before installing unit.

INSTALLATION INSTRUCTIONS

Preliminary Instructions

3. **Check your storm windows**-- if your storm window frame does not allow the clearance required, correct by adding a piece of wood as shown in Fig. E, or by removing storm window while room air conditioner is being installed.
4. **Check for anything that could block airflow**-- check area outside of window for things such as shrubs, trees, or awnings. Inside, be sure furniture, drapes, or blinds will not stop proper airflow.
5. **Check the available electrical service**- Power supply must be the same as that shown on the unit serial nameplate. Power cord is 48 inches long. Be sure you have an outlet near.
6. **Carefully unpack air conditioner**- Remove all packing material. Protect floor or carpet from damage. Two people should be used to move and install unit.

Hardware(Packed with the unit)

	7/16 inch Locking screw and Flat washer for window panels	2 ea.
	3 / 4 (or 1/2) inch Long Hex-head Screw	7
	Safety Lock	1
	1 / 2 inch Long screw and Locknut	4ea.
	3 / 4 inch Long Flat Head Bolt and Locknut	2ea.
	Sill Angle Bracket	2
	Lock Frame(For Wooden windows)(on some models)	2
	3 / 4 inch Long Screw(on some models)	2
	Long hex-head locking screw for top angle, side retainer 5 / 16 inch Long	10
	Foam insert	2
	Window sash seal foam	1
	Safety Lock (for Vinyl-Clad window)(on some models)	2
	Locking screw # 10X 1 / 4 panhead Phillips screws (for Vinyl-Clad window)(on some models)	2
	R1 hardware	2
	Weather stripping (10*3/4*1/12')	5
NOET: R1 hardware and Weather stripping is only for Energy star models.		

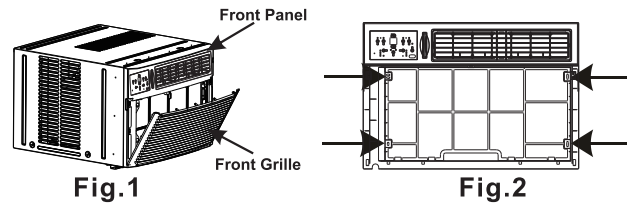
Tools Required

A large flat blade screwdriver; Tape measure
Adjustable wrench or pliers; Pencil; Level
Socket wrenches; Phillips Screwdriver

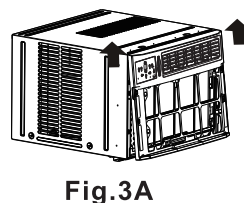
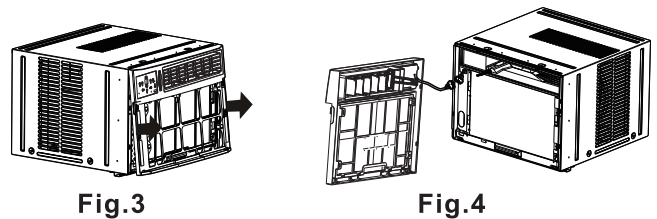
A. Window Mounting

1 Remove Chassis

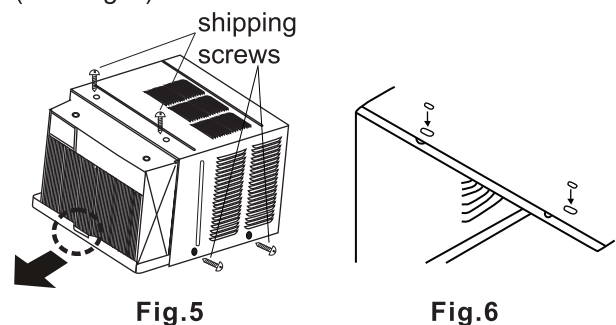
1. Pull down front grille and remove filter.
(See Fig. 1).
2. Lift front grille upwards and place to one side.
3. Locate the four front screws and remove.
These screws will be needed to re-install the front panel (see Fig.2).



4. Push metal cabinet side to release plastic tabs on each side of front panel (see Fig.3).
5. Gently lift front panel off unit(see Fig.3A).
6. Disconnect the connector plug of the display panel from the unit and place front panel to one side(see Fig.4).



7. Remove shipping screws from top of unit and also on the side by the base if installed (see Fig.5).
8. Hold the cabinet while pulling on the base pan handle, and carefully remove the unit.
9. Add two foam inserts to holes in top of cabinet where shipping screws were removed from (see Fig.6).



INSTALLATION INSTRUCTIONS

10. Your unit may come with internal packaging. This packaging must be removed prior to installing the air conditioner back into the cabinet. (see Fig.7).

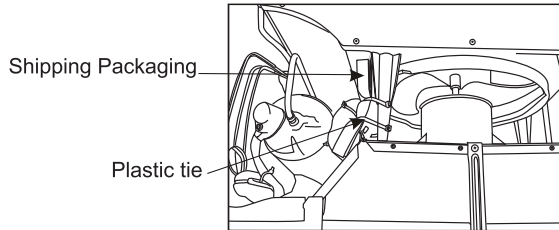


Fig.7

2 Install Top Angle and Side Bracket

1. Attach foam gasket to top angle above holes as shown in Fig.6.
2. Install top angle and side retainers to cabinet as shown in Fig.8 (10 screws).

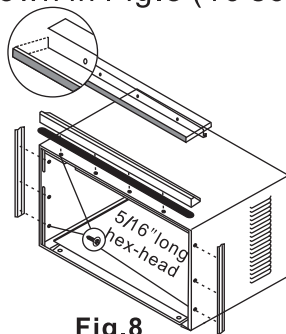


Fig.8

3 Assemble Window Filler Panels

1. Place cabinet on floor, a bench, or a table.
2. Slide "I" section of window filler panel into side retainer on the side of the cabinet (see Fig.9 & Fig.10). Do both sides.

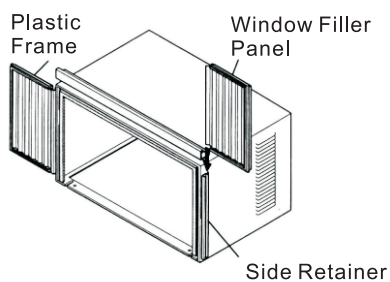


Fig.9

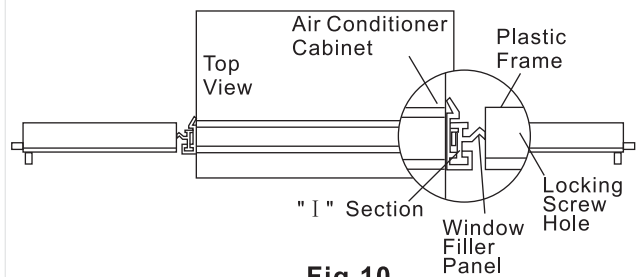


Fig.10

3. Insert top and bottom legs of window filler panel frame into channel in the top angle and bottom rail. Do both sides.
4. Insert washer head locking 7/16" screws (2) into holes in top leg of filler panel frame (see step 6). Do not totally tighten. Allow leg to slide freely. Screws will be tightened after section 6.

4 Place Cabinet in

1. Open window and mark center of window stool as shown (Fig.11).
2. Place cabinet in window with bottom stool angle firmly seated over window stool as shown. Bring window down temporarily behind top angle to hold cabinet in place (Fig.12).

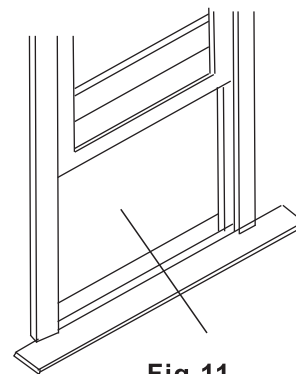


Fig.11

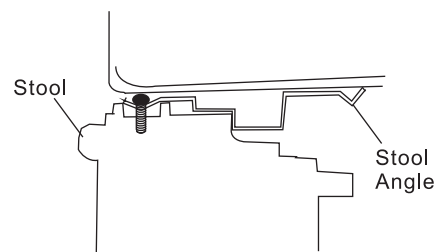


Fig.12

3. Shift cabinet left or right as needed to line up center of cabinet on center line marked on stool.
4. Fasten cabinet to window stool with 2 screws into holes (You may wish to pre-drill pilot holes).
5. Add bottom rail seal over screws to window stool.

INSTALLATION INSTRUCTIONS

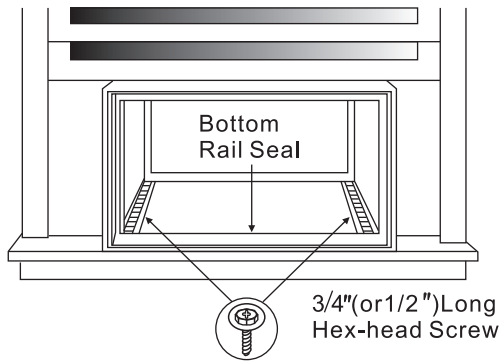
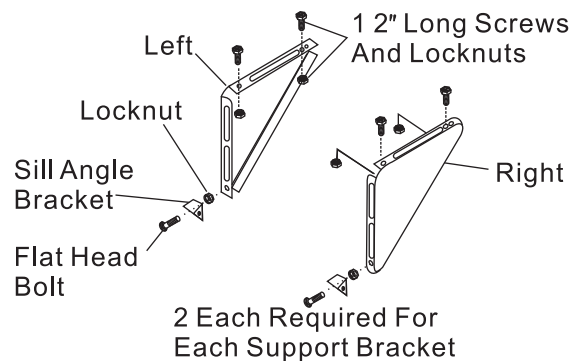
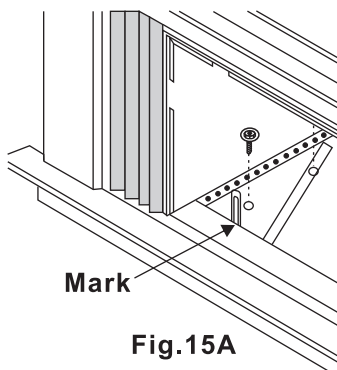
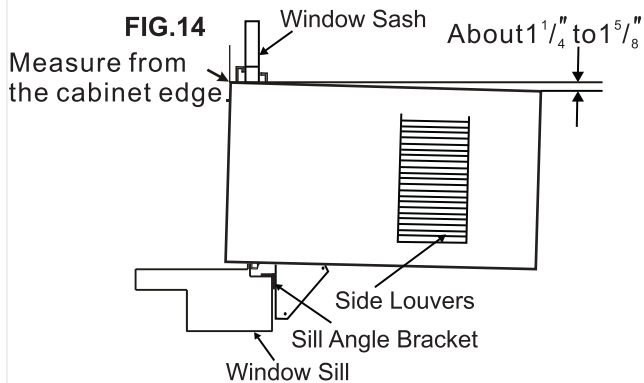


Fig.13

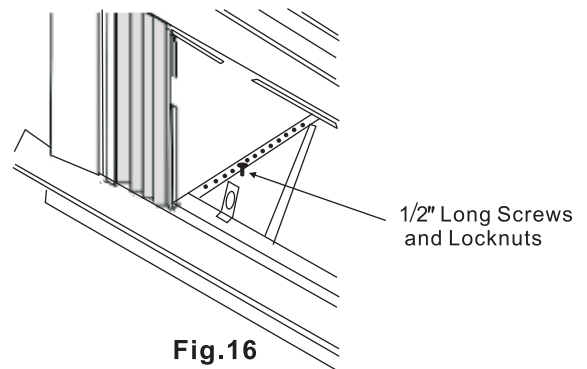
5 Install Support Bracket

1. Hold each support bracket flush against outside of sill, and tight to bottom of cabinet as shown in Fig. 15A. Mark brackets at top level of sill, and remove.
2. Assemble sill angle bracket to support brackets at the marked position (Fig. 15B). Hand tighten, but allow for any changes later.

NOTE: Check that air conditioner is tilted back about $1\frac{1}{4}"$ to $1\frac{5}{8}"$ (tilted about 3° to 4° downward to the outside). After proper installation, condensate should not drain from the overflow drain hole during normal use, correct the slope otherwise (Fig. 14).

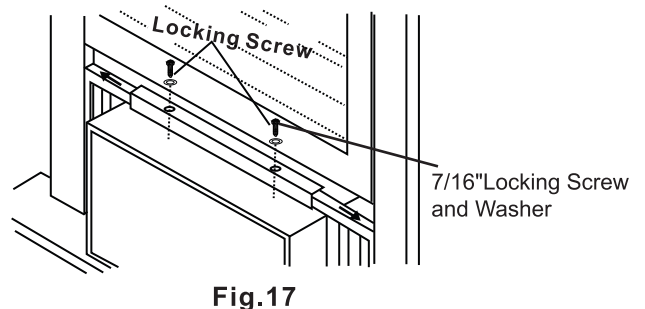


3. Install support brackets (with sill angle brackets attached) to correct hole in bottom of cabinet as shown in Fig. 16.
4. Tighten all 6 bolts securely.



6 Extend Window Filler Panels

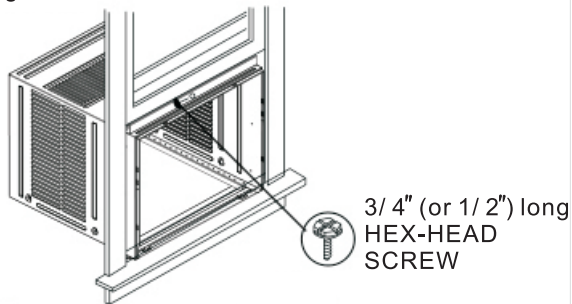
1. Carefully raise window to expose filler panel locking screws. Loosen screws so filler panels slide easily.
2. Extend panels to fill window opening completely. Tighten locking screws on top (Fig. 17).
3. Close window behind top angle.



INSTALLATION INSTRUCTIONS

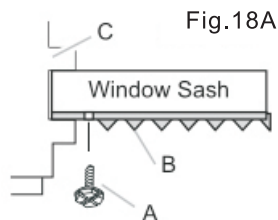
4. Attach the top angle to window frame: Use a $3/32$ " drill bit to drill one hole through the hole in the middle of top angle into the window frame, and drive one $3/4$ " (or $1/2$ ") HEX-HEAD locking screw through hole in the middle of top angle into the window frame as shown (Fig.17A).

Fig.17A

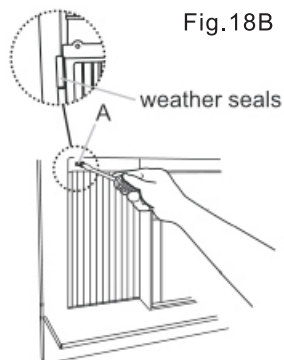


7 Attach Window Filler Panels to Window Frame

1. Extend the window filler panels out against the window frame.
2. Use a $1/8$ " drill bit to drill a starter hole through the hole in the top leg of each window filler panel and into the window sash (Fig. 18A and Fig. 18B). Connect with one $3/4$ " (or $1/2$ ") long hex head screw.



- A. $3/4$ " (or $1/2$ ") long hex head screw
B. Left-hand Window Filler Panel Top Leg
C. Window channel



- A. $3/4$ " (or $1/2$ ") long hex head screw

8 Install Window Sash Seal and Safety Lock

1. Trim sash seal to fit window width. Insert into space between upper and lower sashes (Fig.18).

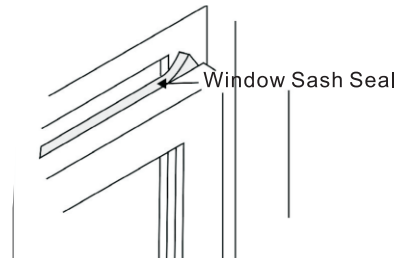


Fig.18

2. Attach right angle safety lock (Fig.19).

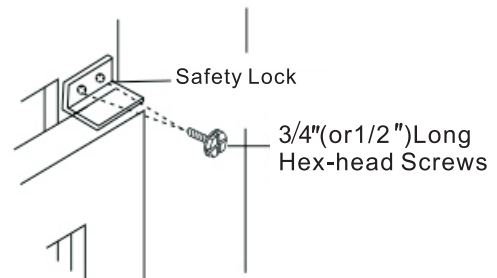


Fig.19

9 Install Chassis into Cabinet and Install Front to Unit

1. Lift air conditioner and carefully slide into cabinet leaving 6 inches protruding.
2. DO NOT push on controls or finned coils.
3. Be sure chassis is firmly seated towards rear of cabinet.
4. Installation of front is the reverse of removal outlined in Section 1.

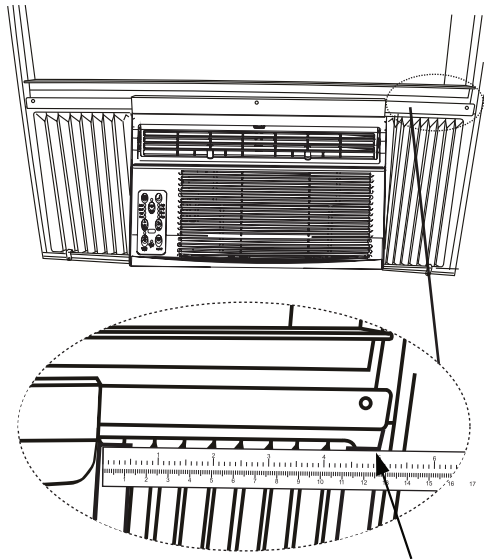
10 INSTALL R1 HARDWARE (only be applicable to Energy star models)

In order to minimize air leaks and ensure optimal insulation, it is necessary to install the included R1 hardware to the side curtain. Follow the instructions below.

Step 1. After the unit is installed to the window, measure the inner width of the side curtain as shown (Fig.20).

Step 2. Remark a line on the provide R1 insulation panel according to a length $1/8$ " (3mm) less than the measured width in step 1, then cut the R1 insulation panel along the line (Fig.12).

INSTALLATION INSTRUCTIONS



Measure the inner width of the side curtain

Fig.20

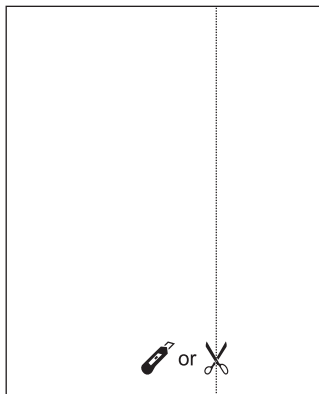


Fig.21

Step 3. Slide the R1 insulation panel into the side curtain, the side with pattern should facing the indoor side.(Fig.22).

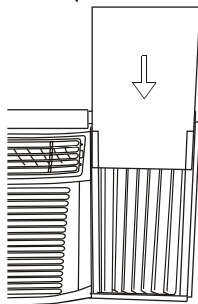


Fig.22

Step 4. Repeat on the other side.

11 INSTALL WEATHER STRIPPING (only be applicable to Energy star models)

In order to minimize air leaks between the room air conditioner and the window opening, trim the weather stripping with a proper length, peel off the protective backing and plug any gaps if needed (Fig.23).

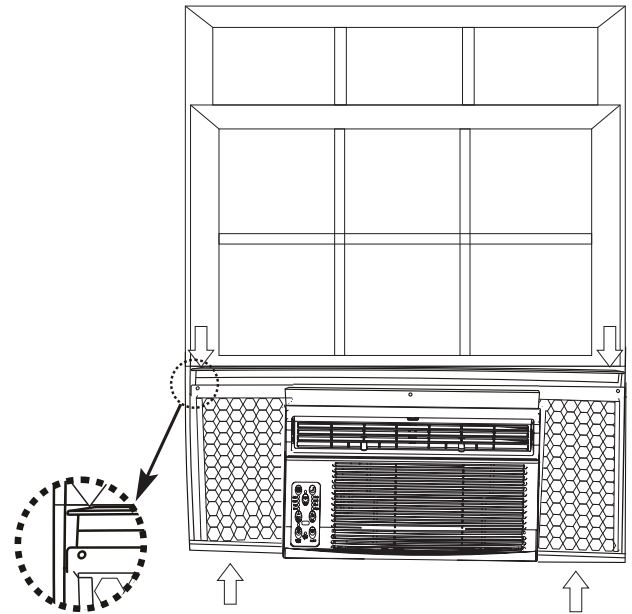


Fig.23

INSTALLATION INSTRUCTIONS

B.Thru-The-Wall Installation

NOTE: Consult local building codes prior to installation, or a qualified carpenter.

1 Select Wall Location

The air conditioner has a slide-out chassis, so that it can be installed through an outside wall as specified below:

Max. Wall thickness: 12" or 10"

IMPORTANT: Side louvers must never be blocked.

NOTE: All parts needed for Thru-The-Wall Installation are provided, except a wood frame, shims, and 10 wood screws (#10-1" long minimum).

Select a wall surface that:

1. does not support major structural loads such as the frame construction at ends of windows, and under truss-bearing points, etc.
2. does not have plumbing or wiring inside.
3. is near existing electrical outlets, or where another outlet can be installed.
4. faces, and is not blocked to the area to be cooled.
5. allows unblocked airflow from rear sides and end(outside) of installed air conditioner.

2 Prepare Wall

1. Prepare wall in frame construction (including brick and stucco veneer). Working from inside the room, find wall stud nearest the center of area where air conditioner will be installed (by sounding wall, or by magnetically finding nails).
2. Cut or knock out a hole on each side of center stud.
3. Measure between inside edges of every other stud as shown in Fig.1.

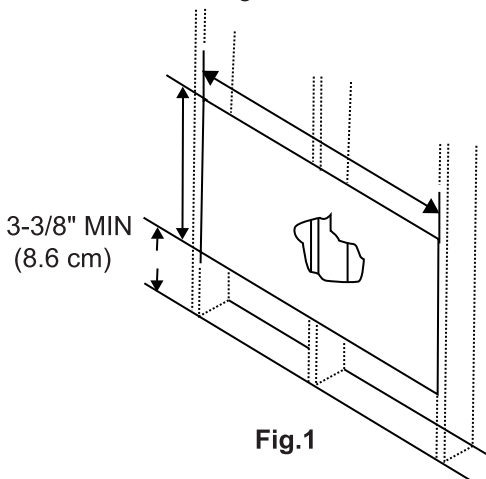


Fig.1

Carefully measure and cut an opening with the following dimensions depending on your model. See Fig.1 and Fig.2.

WIDTH "X" = inside model width plus twice the thickness of framing material used.

HEIGHT "Y" = inside model height plus twice the thickness of framing material used.

Inside Frame Height: 18-7/8"(47.9cm) or 18" (45.7cm)
Inside Frame Width: 26-3/4"(67.9cm) or 23-7/8"(60.6cm)

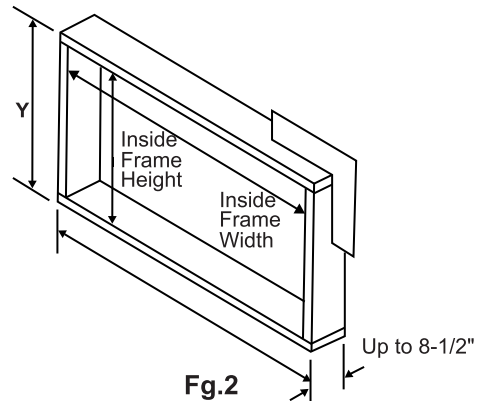


Fig.2

4. Build a wooden frame with the INSIDE dimensions of your model listed above. (Measure twice remember). Frame depth should be the same as wall thickness. Fill in the space from the opening to the studs with wood spacers, as shown.
5. Nail frame to spacers to spacers with front flush with drywall.

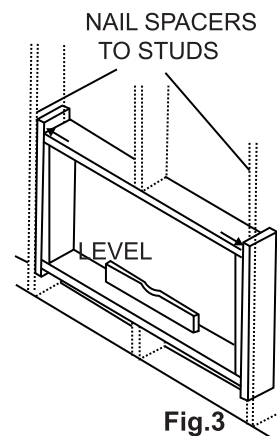


Fig.3

NOTE: If wall thickness is 8-1/2" or more, add aluminum flashing over bottom of frame opening to assure no water can enter area between inner and outer wall.

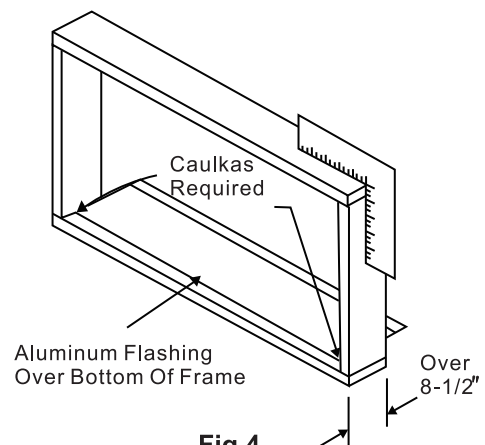


Fig.4

INSTALLATION INSTRUCTIONS

3 Prepare and Install Cabinet

1. Slide chassis from cabinet. Refer back to Step one of Window Mounting.
2. Place cabinet into opening with bottom rail resting firmly on bottom board of wooden frame.
3. Position cabinet to achieve proper slope for water removal. (See Fig.5 below.)
4. Secure bottom rail to wood frame with two large wood screws 1" (2.5cm) long using the two holes in the bottom of the channel resting on frame. (See Fig.6).

NOTE: Check that air conditioner is tilted back about $1\frac{1}{4}"$ to $1\frac{5}{8}"$ (tilted about 3° to 4° downward to the outside). After proper installation, condensate should not drain from the overflow drain hole during normal use, correct the slope otherwise (Fig.14).

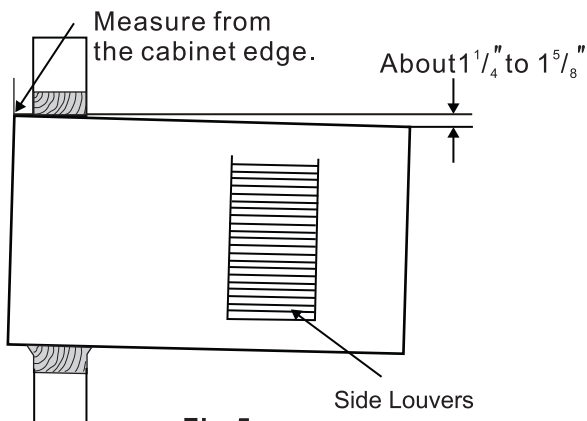


Fig.5

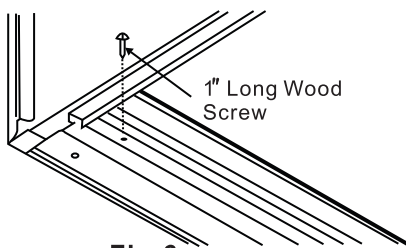


Fig.6

Refer to Step 5 of Window Mounting for assembly of support brackets. A wooden strip nailed to the outside wall should be used in conjunction with sill support angle brackets.

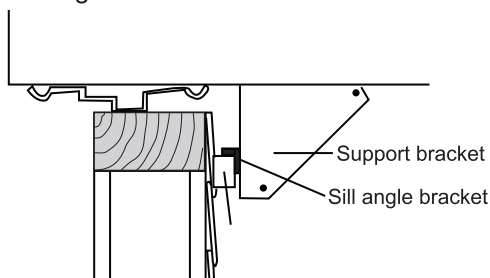
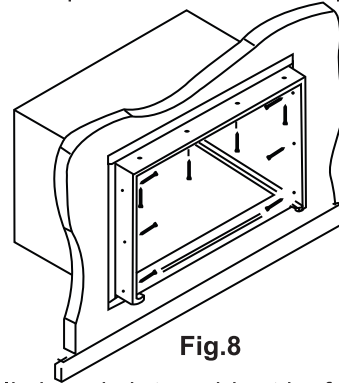


Fig.7

5. Screw or nail cabinet wooden frame using shims if frame is oversized, to eliminate distortion. See Fig.8. Remember to maintain proper slope as described in Step 3.



6. Install chassis into cabinet by following all steps in Step 8 of Window Mounting.

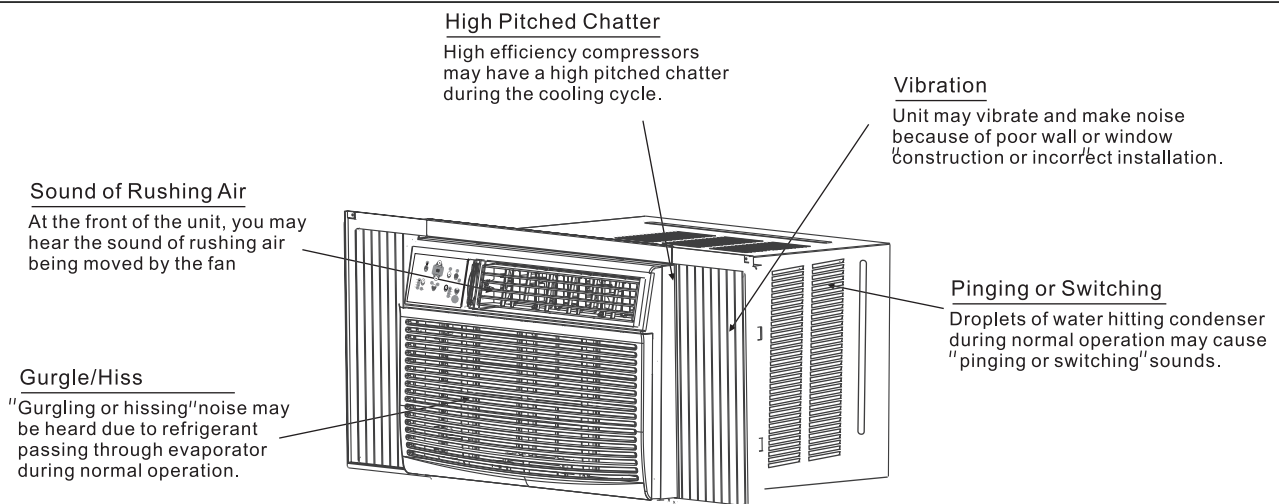
OPTIONAL: Caulking and installation of trim on interior wall may be done. You can buy wood from your local lumber or hardware supply. On the outside, caulk openings around top and sides of cabinet, and all sides of wood sleeve to the opening.

NOTE: See Step 5, Item 3 of Window Mounting Instructions for bottom rail seal location.

C.Masonry Construction

1. Cut or build a wall opening in the masonry wall similar to the frame construction (refer to Step 2 of Thru-the-wall Installation for a wall thickness greater than $8\frac{1}{2}"$).
2. Secure cabinet in place using masonry nails, or the right masonry anchor screws. (Another way to do this is to build an in-between frame of 2x4's as shown in the Step 2 Prepare Wall illustrations-but make it double framed on either side, and install between masonry wall opening and cabinet. Frame must be securely anchored to masonry wall opening). This way gives very good louver clearance on either side of cabinet.
3. Install a lintel to support masonry wall above cabinet. Existing holes in cabinet can be used and/ or additional holes can be drilled to fasten cabinet at various positions. Be sure that side louver clearance is in accordance with Step 1 above.
4. Install exterior cabinet support brackets as shown in Step 2 of Thru-the-wall installation. Caulk or flash if needed, to provide a weather-tight seal around top and sides of cabinet.
5. To complete installation, apply wood trim molding around room side projection of cabinet.

NORMAL SOUNDS



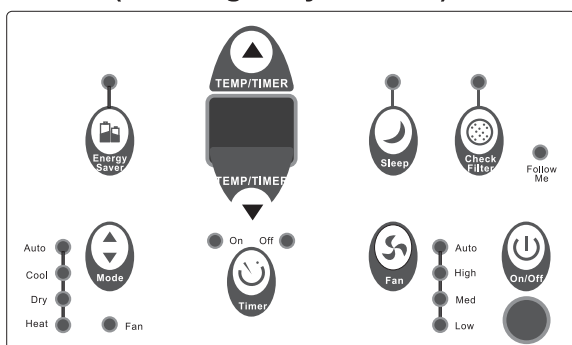
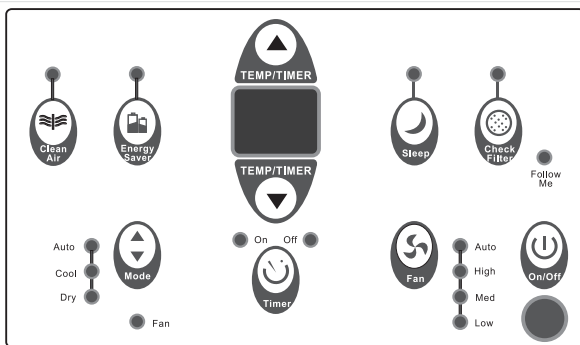
NOTE:

All the illustrations in this manual are for explanation purpose only. Your air conditioner may be slightly different. The actual shape shall prevail.

AIR CONDITIONER FEATURES

ELECTRONIC CONTROL OPERATING INSTRUCTIONS

Before you begin, thoroughly familiarize yourself with the control panel as shown below and all its functions, then follow the symbol for the functions you desire. **The unit can be controlled by the unit control alone or with the remote.**



TO TURN UNIT ON OR OFF:

Press ON/OFF button to turn unit on or off.

NOTE: The unit will initiate automatically the Energy Saver function under Cool, Dry, Auto (only Auto-Cooling and Auto-Fan) modes.

TO CHANGE TEMPERATURE SETTING:

Press UP/DOWN button to change temperature setting.


NOTE: Press or hold either UP () or DOWN () button until the desired temperature is seen on the display. This temperature will be automatically maintained anywhere between 62°F (17°C) and 86°F (30°C). If you want the display to read the actual room temperature, see To Operate on Fan Only section.

CLEAN AIR FEATURE: (on some models)


Press Clean Air button, the ion generator is energized and will help to remove pollen and impurities from the air, and trap them in the filter.

AIR CONDITIONER FEATURES


TO ADJUST FAN SPEEDS:

Press  to select the Fan Speed in four steps-Auto, Low, Med or High. Each time the button is pressed, the fan speed mode is shifted. For some models, the fan speed can not be adjusted under HEAT mode. On Dry mode, the fan speed is controlled at Low automatically.


SLEEP FEATURE:

Press  Sleep button to initiate the sleep mode. In this mode the selected temperature will increase (cooling) or decrease (heating) by 2°F/1(or 2)°C 30 minutes after the mode is selected. The temperature will then increase (cooling) or decrease (heating) by another 2°F/1(or 2)°C after an additional 30 minutes. This new temperature will be maintained for 6 hours before it returns to the originally selected temperature. This ends the Sleep mode and the unit will continue to operate as originally programmed. The Sleep mode program can be cancelled at any time during operation by pressing the Sleep button again.

CHECK FILTER FEATURE:

Press  Check filter button to initiate this feature. This feature is a reminder to clean the Air Filter for more efficient operation. The LED(light) will illuminate after 250 hours of operation. To reset after cleaning the filter, press the Check Filter button and the light will go off.

ENERGY SAVER FEATURE:

Press  Energy saver button to initiate this function. This function is available on COOL, DRY, AUTO (only AUTO-COOLING and AUTO-FAN) modes. The fan will continue to run for 3 minutes after the compressor shuts off. The fan then cycles on for 2 minutes at 10 minute intervals until the room temperature is above the set temperature, at which time the compressor turns back on and Cooling Starts.


FOLLOW ME FEATURE:(on some models)



This feature can be activated from the remote control ONLY. The remote control serves as a remote thermostat allowing for the precise temperature control at its location.

To activate the Follow Me feature, point the remote control towards the unit and press the Follow Me button. The remote display is actual temperature at its location. The remote control will send this signal to the air conditioner every 3 minutes interval until press the Follow Me button again. If the unit does not receive the Follow Me signal during any 7 minutes interval, the unit will beep to indicate the Follow Me mode has ended.

TO SELECT THE OPERATING MODE:

To choose operating mode, press  Mode button. Each time you press the button, a mode is selected in a sequence that goes from Auto, Cool, Dry, heat (cooling only models without) and Fan. The indicator light beside will be illuminated and remained on once the mode is selected.

The unit will initiate automatically the Energy Saver function under Cool, Dry, Auto (only Auto-Cooling and Auto-Fan) modes.

To operate on Auto feature:

- When you set the air conditioner in AUTO mode, it will automatically select cooling, heating (cooling only models without), or fan only operation depending on what temperature you have selected and the room temperature.
- The air conditioner will control room temperature automatically round the temperature point set by you.
- In this mode, the fan speed cannot be adjusted, it starts automatically at a speed according to the room temperature.

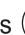
To operate on Fan Only:

- Use this function only when cooling is not desired, such as for room air circulation or to exhaust stale air (on some models). (Remember to open the vent during this function, but keep it closed during cooling for maximum cooling efficiency.) You can choose any fan speed you prefer.
- During this function, the display will show the actual room temperature, not the set temperature as in the cooling mode.
- In Fan only mode, the temperature is not adjusted.

To operate on Dry mode:

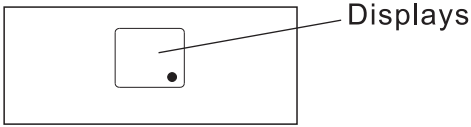
- In this mode, the air conditioner will generally operate in the form of a dehumidifier. Since the conditioned space is a closed or sealed area, some degree of cooling will continue.

TIMER: AUTO START/STOP FEATURE:

- When the unit is on or off, first press  Timer button, the TIMER ON indicator light illuminates. It indicates the Auto Start program is initiated.
- When the time of TIMER ON is displayed, press the Timer button again, the TIMER OFF indicator light illuminates. It indicates the Auto Stop program is initiated.
- Press or hold the UP or DOWN button to change the Auto time by 0.5 hour increments, up to 10 hours, then at 1 hour increments up to 24 hours. The control will count down the time remaining until start.
- The selected time will register in 5 seconds, and the system will automatically revert back to display the previous temperature setting or room temperature when the unit is on. (when the unit is off, there is no display.)
- Turning the unit ON or OFF at any time or adjusting the timer setting to 0.0 will cancel the Auto Start/Stop timed program.

AIR CONDITIONER FEATURES

DISPLAYS:



DISPLAYS:

Shows the set temperature in " °C" or " °F" and the Auto-timer settings. While on Fan only mode, it shows the room temperature.

Error codes:

AS-Room temperature sensor error-Unplug the unit and plug it back in.If error repeats, call for service.
NOTE:In Fan only mode,it will display "LO" or "HI".

- -Evaporator temperature sensor error-Unplug the unit and plug it back in.If error repeats, call for service.
NOTE: "•" is displayed as shown in the left picture.

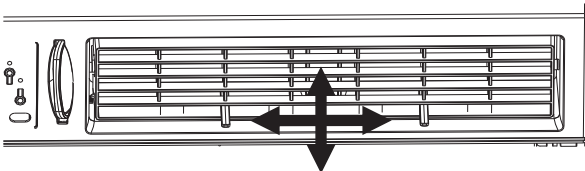
HS -Electric heating sensor error-Unplug the unit and plug it back in.If error repeats, call for service.

NOTE:

If the unit breaks off unexpectedly due to the power cut, it will restart with the previous function setting automatically when the power resumes.

Air Directional Louvers

Air Directional Louvers



Air Direction(4- way)

The 4-way air directional louvers allow you to direct the air flow Up or Down(on some models) and Left or Right throughout the room as needed. To adjust the air directional louvers side-to-side, use the center handles as you move it side-to-side.

ADDITIONAL THINGS YOU SHOULD KNOW

Now that you have mastered the operating procedure, here are more features in your control that you should become familiar with.

- The Cool circuit has an automatic 3 minute time delayed start if the unit is turned off and on quickly. This prevents overheating of the compressor and possible circuit breaker tripping. The fan will continue to run during this time.
- The control is capable of displaying temperature in degrees Fahrenheit or degrees Celsius. To convert from one to the other, press and hold the Left and Right Temp/Timer buttons at the same time, for 3 seconds.

Fresh Air Vent Control

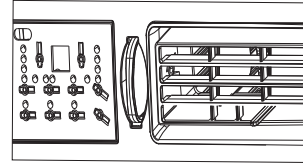


Fig. A (VENT CLOSED)

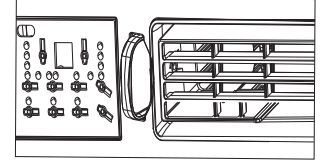


Fig. B (VENT OPEN)

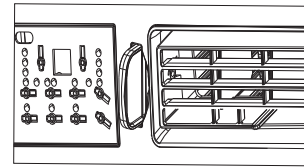


Fig. C (VENT & EXHAUST³ OPEN)

The Fresh Air Vent allows the air conditioner to:

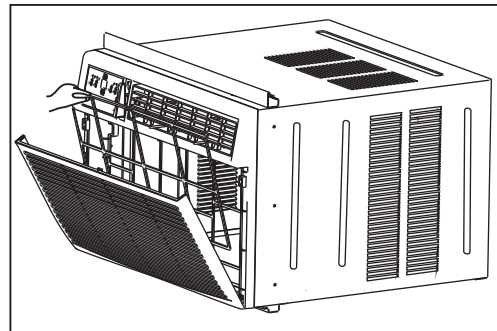
1. Recirculate inside air - Vent Closed (See Fig.A)
2. Draw fresh air into the room- Vent Open (see Fig.B)
3. Exchange air from the room and draws fresh air into the room - Vent and Exhaust Open (see Fig.C)

CARE AND CLEANING

CAUTION

Clean your air conditioner occasionally to keep it looking new. **Be sure to unplug the unit before cleaning to prevent shock or fire hazards.**

Air Filter Cleaning



The air filter should be checked at least once a month to see if cleaning is necessary. Trapped particles in the filter can build up and cause an accumulation of frost on the cooling coils.

CARE AND CLEANING

Air Filter Cleaning

- Remove the filter by sliding out from the right-hand side.
- Wash the filter using liquid dishwashing detergent and warm water. Rinse filter thoroughly. Gently shake excess water from the filter. Be sure the filter is thoroughly dry before replacing. Or, instead of washing you may vacuum the filter clean.

Note: Never use hot water over 40°C(104°F) to clean the air filter. Never attempt to operate the unit without the air filter.

Cabinet Cleaning

- Be sure to unplug the air conditioner to prevent shock or fire hazard. The cabinet and front may be dusted with an oil-free cloth or washed with a cloth dampened in a solution of warm water and mild liquid dishwashing detergent. Rinse thoroughly and wipe dry.
- Never use harsh cleaners, wax or polish on the cabinet front.
- Be sure to wring excess water from the cloth before wiping around the controls. Excess water in or around the controls may cause damage to the air conditioner.
- Plug in air conditioner.

Winter Storage

If you plan to store the air conditioner during the winter, remove it carefully from the window according to the installation instructions. Cover it with plastic or return it to the original carton.

TROUBLESHOOTING TIPS

Before calling for service, review this list. It may save your time and expense. This list includes common occurrences that are not the result of defective workman-ship or materials in this appliance.

Problem	Solution
Air conditioner does not start	<i>Wall plug disconnected. Push plug firmly into wall outlet.</i>
	<i>House fuse blown or circuit breaker tripped. Replace fuse with time delay type or reset circuit breaker.</i>
	<i>Plug Current Device Tripped. Press the RESET button.</i>
	<i>Power is OFF. Turn power ON.</i>
Air from unit does not feel cold enough	<i>Room temperature below 62°F(17°C). Cooling may not occur until room temperature rises above 62°F(17°C).</i>
	<i>Temperature sensing behind air filter element touching cold coil. Keep it from the cold coil.</i>
	<i>Set to a Lower temperature.</i>
	<i>Compressor stopped when changing modes. Wait for 3 minutes after set to the COOL mode.</i>
Air conditioner cooling, but room is too warm- ice forming on cooling coil behind decorative front.	<i>Outdoor temperature below 64°F(18°C). To defrost the coil, set FAN ONLY mode.</i>
	<i>Air filter may be dirty. Clean filter. Refer to Care and Cleaning section. To defrost, set to FAN ONLY mode.</i>
	<i>Thermostat set too cold for night-time cooling. To defrost the coil, set to FAN ONLY mode. Then, set temperature to a Higher setting.</i>

TROUBLESHOOTING TIPS

Problem	Solution
Air conditioner cooling, but room is too warm- NO ice forming on cooling coil behind decorative front.	<i>Dirty air filter- air restricted. Clean air filter. Refer to Care and Cleaning section.</i>
	<i>Temperature is set too High, set temperature to a Lower setting.</i>
	<i>Air directional louvers positioned improperly. Position louvers for better air distribution.</i>
	<i>Front of units is blocked by drapes, blinds, furniture, etc. - restricts air distribution. Clear blockage in front of unit.</i>
	<i>Doors, windows, registers, etc. Open- cold air escapes. Close doors, windows, registers.</i>
	<i>Unit recently turned on in hot room. Allow additional time to remove " Stored heat" from walls, ceiling, floor and furniture.</i>
Air conditioner turns on and off rapidly	<i>Dirty air filter- air restricted. Clean air filter.</i>
	<i>Outside temperature extremely hot. Set FAN speed to a Higher setting to bring air past cooling coils more frequently.</i>
Noise when unit is cooling	<i>Air movement sound. This is normal . If too loud, set to a slower FAN setting.</i>
	<i>Window vibration - poor installation. Refer to installation instructions or check with installer.</i>
Water dripping INSIDE when unit is cooling.	<i>Improper installation. Tilt air conditioner slightly to the outside to allow water drainage. Refer to installation instructions - check with installer.</i>
Water dripping OUTSIDE when unit is cooling.	<i>Unit removing large quantity of moisture from humid room. This is normal during excessively humid days.</i>
Remote Sensing Deactivating Prematurely (some models)	<i>Remote control not located within range. Place remote control within 20 feet & 180°, radius of the front of the unit.</i>
	<i>Remote control signal obstructed. Remove obstruction.</i>
Room too cold	<i>Set temperature too low. Increase set temperature.</i>

AIR CONDITIONER WARRANTY

Your product is protected by this warranty:

Warranty service must be obtained from Midea Consumer Services or an authorized Midea servicer.

	WARRANTY PERIOD	MIDEA, THROUGH ITS AUTHORIZED SERVICERS, WILL:	THE CONSUMER WILL BE RESPONSIBLE FOR:
FULL ONE-YEAR WARRANTY	One year from original purchase date	Pay all costs for repairing or replacing parts of this appliance which prove to be defective in materials or workmanship.	Transportation and costs of service calls that are listed under NORMAL RESPONSIBILITIES OF THE CONSUMER*

Midea replacement parts shall be used and will be warranted only for the period remaining on the original warranty.

NORMAL RESPONSIBILITIES OF THE CONSUMER*

This warranty applies only to products in ordinary household use, and the consumer is responsible for the items listed below:

1. Proper use of the appliance in accordance with instructions provided with the product.
2. Proper installation by an authorized service professional in accordance with instructions provided with the appliance and in accordance with all local plumbing, electrical and / or gas codes.
3. Proper connection to a grounded power supply of sufficient voltage, replacement of blown fuses, repair of loosen connections or defects in house wiring.
4. Expenses for making the appliance accessible for servicing.
5. Damages to finish after installation.

EXCLUSIONS

This warranty does not cover the following:

- 1) Failure caused by damage to the unit while in your possession (other than damage caused by defect or malfunction), by its improper installation, or by unreasonable use of the unit, including without limitation, failure to provide reasonable and necessary maintenance or to follow the written Installation and Operating Instructions.
- 2) Damages caused by services performed by persons other than authorized Midea servicers; use of parts other than Midea replacement parts; obtained from persons other than such Midea customer service; or external causes such as abuse, misuse, inadequate power supply or acts of God.
- 3) If the unit is put to commercial, business, rental, or other use or application other than for consumer use, we make no warranties, express or implied, including but not limited to, any implied warranty of merchantability or fitness for particular use or purpose.
- 4) Products without original serial numbers or products that have serial numbers which have been altered or cannot be readily determined.

Note: Some states do not allow the exclusion or limitation of incidental or consequential damages. So this limitation or exclusion may not apply to you.

IF YOU NEED SERVICE

Keep your bill of sale, delivery slip, or some other appropriate payment record.

The date on the bill established the warranty period should service be required.

If service is performed, it is your best interest to obtain and keep all receipts.

This written warranty gives you specific legal rights. You may also have other rights that vary from state to state.

Service under this warranty must be obtained by following these steps, in order:

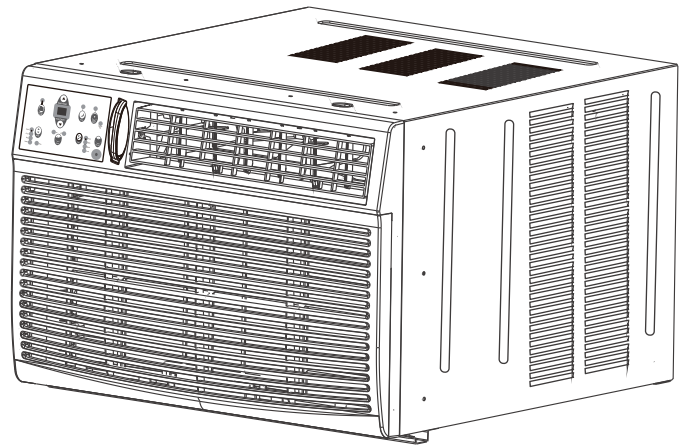
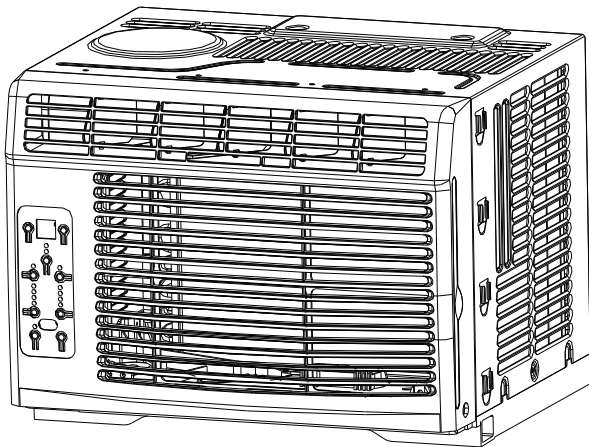
1. Contact Midea Consumer Services or an authorized Midea servicer at **1-866-646-4332**
2. If there is a question as to where to obtain service, contact our consumer relations Department.

The design and specifications are subject to change without prior notice for product improvement. Consult with the sales agency or manufacturer for details.

AIRE ACONDICIONADO DEL CUARTO DEL TIPO DE VENTANA / PARED

Keystone™

MANUAL DEL USUARIO



Model: KSTAW05BE KSTAW06BE KSTAW08CE KSTAW12BE KSTAW05CE KSTAW06CE
KSTAW08BE KSTAW10BE KSTAW10CE KSTAW12CE KSTAW15CE

TABLA DE CONTENIDO

Instrucciones importantes de la seguridad.....	1-11	Sonidos normales(for 15000Btu)	26
Instrucción de instalación(for 5000 to 12000Btu/h).....	12-15	Características del aire acondicionado(for 15000Btu)...	17-29
Sonidos normales(for 5000 to 12000Btu/h).....	16	Mantenimiento y limpieza.....	30
Características del aire acondicionado(for 5000 to 12000Btu/h),	16-18	Soluciones de Problemas.....	30-31
Instrucción de instalación(for 15000Btu)	19-26	Plazo De Garantía.....	32-33





Antes de usar su aire acondicionado, por favor lea
este manual con mucho cuidado y guardelo para la referencia futura.

INSTRUCCIONES IMPORTANTES DE LA SEGURIDAD

Lea este manual

Dentro de este manual podría encontrar muchos consejos ayudables diciendo cómo usa y mantener su aire acondicionado correctamente. le cuesta un poco cuidado antes, le ahorrará mucho tiempo y dinero en su aire acondicionado. Puede encontrar muchas respuestas a los problemas comunes en el cuadro de las soluciones de problemas. Si lea nuestro cuadro de las soluciones de problemas primero, quizá no será necesario llamar por servicio.

Para evitar los daños a los usuarios u otra persona, deben seguir las instrucciones siguientes. Las operaciones incorrectas por la ignora de las instrucciones puede causar lesiones o daños. El grado de seriedad está clasificado por lo que indica siguiente.

 WARNING	Este símbolo indica la posibilidad de muerte o lesiones graves.		
 CAUTION	Este símbolo indica la posibilidad de lesiones o daños a la propiedad.		
	Nunca lo hace.		Siempre hacerlo.

WARNING

<p> Encúfalo en el enchufe adecuadamente</p> <ul style="list-style-type: none"> ● Si no, podría causar una descarga eléctrica o incendio por la generación del calor. 	<p> No la enciende o apaga la unidad con la manera de meter o tirar su calbe en la encufa.</p> <ul style="list-style-type: none"> ● Podría causar una descarga eléctrica por la generación del calor 	<p> No lo hace daño o usar un cable eléctrico sospechoso.</p> <ul style="list-style-type: none"> ● Podría causar descarga eléctrica o incendio. ● Si el cable eléctrico está dañado, para evitar el peligro, debe reemplazarlo por un fabricante o un servicio autorizado o unidad con cualificación similar.
<p> Siempre instala el interruptor y un circuito de potencia dedicado.</p> <ul style="list-style-type: none"> ● La instalación incorrecta podría causar incendio o descarga eléctrica. 	<p> No lo maneje con las manos mojados o en un ambiente húmedo.</p> <ul style="list-style-type: none"> ● Podría causar una descarga eléctrica. 	<p> No dirige el flujo del aire solamente a un ocupante de la habitación.</p> <ul style="list-style-type: none"> ● Podría hacer daños a su salud.
<p> Siempre asegúrese que está puesto a una tierra eficaz.</p> <ul style="list-style-type: none"> ● La tierra incorrecto podría causar una descarga eléctrica. 	<p> No permite entrar el agua en las piezas eléctricas.</p> <ul style="list-style-type: none"> ● Podría causar un fallo de esta máquina o una descarga eléctrica. 	<p> No modifique la longitud del cable eléctrica ni compartiri el enchufe con otros aparatos.</p> <ul style="list-style-type: none"> ● Podría causar una descarga eléctrica o incendio por la generación del calor.
<p> Si emite sonido, olor o humo extraño , desenchuúfelo.</p> <ul style="list-style-type: none"> ● Podría causar incendio u descarga eléctrica. 	<p> No lo usa el enchufe si está suelto o dañado.</p> <ul style="list-style-type: none"> ● Podría causar incendio u descarga eléctrica. 	<p> No la abre la unidad durante su operación.</p> <ul style="list-style-type: none"> ● Podría causar descarga eléctrica.
<p> Mantener las armas de fuego lejos.</p> <ul style="list-style-type: none"> ● Podría causar incendio. 	<p> No lo use el cable electrico que está cerca de los aparatos de calefacciones.</p> <ul style="list-style-type: none"> ● Podría causar incendio y una descarga eléctrica. 	<p> No lo usa el cable electrico cerca de gas inflamable o combustibles, como gasolina, benceno, disolvente, etc.</p> <ul style="list-style-type: none"> ● Podría causar una explosión o incendio.
<p> Ventile la habitación antes de operar el aire acondicionado si hay una fuga de gas desde otros aparatos.</p> <ul style="list-style-type: none"> ● Podría causar una explosion, incendio y quemaduras. 	<p> No desmonte ni modifique la unidad.</p> <ul style="list-style-type: none"> ● Podría causar fallo y descarga eléctrica. 	

INSTRUCCIONES IMPORTANTES DE LA SEGURIDAD

⚠ CAUTION

⊘ Cuando el filtro del aire está eliminado, no la toca las partes metálicas de la unidad.

- Podría causar una lesión.

⊘ No utilice detergente fuerte como cera o algo más delgado, sino usa un paño suave.

- La apariencia podría deteriorarse por el cambio del color del producto u arañazos en su superficie.

Ⓜ Detenga el funcionamiento y cierre la ventana en la tormenta o huracán.

- La operación con la ventana abierta podría causar humedecimiento y remojo de muebles dentro de la casa.

Ⓜ Siempre inserte el filtro correctamente. Limpie el filtro una vez cada dos semanas.

- La operación sin filtro podría causar fallo.

⊘ No coloque obstáculos en alrededor de la entrada de aire o dentro de la salida del aire.

- Podría causar fallos de aplicación o accidente.

Ⓜ Tenga cuidado al desembalar e instalarlo. Su bordes afilados podrían provocar lesiones.

⊘ No lo guarda una mascota o planta donde sera expuesto al flujo del aire directo.

- Podría hacer daño a su mascota o planta.

⊘ No lo limpie el aire acondicionado con agua.

- El agua podría entrar en la unidad y disminuir la aislación. Podría causar una descarga eléctrica.

Ⓜ Cuando la unidad se va a limpiar, apague y desconecte el disyuntor.

- No la limpie la unidad cuando está encendido porque podría causar incendio y una descarga eléctrica, lo cual produciría lesiones.

Ⓜ Sujete la clavija por la cabeza de la clavija de alimentación cuando la saque.

- Podría causar descarga eléctrica y daños.

⊘ No coloque objetos pesados sobre el cable eléctrico y asegúrese que el cable no está comprimido.

- Hay peligro de incendio o descarga eléctrica.

Ⓜ Si entra agua en la unidad, apague la energía fuera y apague el disyuntor. Aisla el suministro mediante la tira de su cable energético y contactelo a un servicio técnico cualificado.

Ⓜ Ventile bien la habitación cuando se utilize junto con una estufa, etc.

- Podría ocurrir la escasez de oxígeno.

⊘ No lo usa para fines especiales.

- No lo use este aire acondicionado a conservar dispositivos de precisión, alimentos, mascotas, plantas y objetos artísticos. Podría causar deterioro de su calidad, etc.

Ⓜ Asegúrese de que el soporte de la instalación del aparato al aire libre no está dañado por una exposición prolongada.

- Si el soporte está dañado, podría producir daños por el fallo de la unidad.

Ⓜ Apague el interruptor principal de la alimentación cuando la unidad ni hace ruido un largo tiempo.

- Podría causar fallo del producto o incendio.

⊘ No beba el agua drenada del aire acondicionado.

- Contiene producir contaminación y podría hacerle enfermo.

⚠ CAUTION

- Este aparato no está diseñado para ser utilizado por las personas (incluso los niños) con capacidad reducida o falta de experiencia o los conocimientos físicos, sensoriales o mentales, a menos que sean enseñado o instruidos el uso del aparato por la gente responsable de su seguridad.

- Los niños deben ser supervisados para asegurar que no lo jueguen con el aparato.

- Si el cable eléctrico está dañado, debe ser reemplazado por un fabricante, agente de servicio o personas cualificadas para evitar peligro.

- El aparato debe ser instalado de acuerdo con reglas escritas nacionales.

- No lo utilice el aire acondicionado en una habitación mojada como el baño o lavandería.

- Este aparato con su calentador eléctrico deben tener al menos 1 metro lejos a los materiales combustibles.

- Póngase en contacto con el servicio técnico autorizado para la reparación o mantenimiento de esta unidad.

- Póngase en contacto con el instalador autorizado para la instalación de esta unidad.

INSTRUCCIONES IMPORTANTES DE LA SEGURIDAD

NOTA:

El cable de energía con el aire acondicionado contienen un dispositivo de detección de corriente, lo cual está diseñado para reducir el riesgo de incendio. Por favor consulte la sección de Operación del dispositivo de Corriente los detalles. En el caso que el cable de energía está dañado, no puede ser reparado, debe reemplazarlo por un cable del Fabricante del Producto.

WARNING

Evita el incendio o descarga eléctrica. No utilice cable de extensión ni enchufe adoptado. No remueve ninguna clavaja del cable de energía.

Varada Tipo Pared Receptáculo



El cable de energía con conexión a tierra de 3 patas y un dispositivo de detección de corriente

WARNING

Para su seguridad

No guarda o usar gasolina u otros vapors y líquidos inflamables en la proximidad de este o cualquier otro electrodoméstico.

WARNING

Evitar accidentes

Para reducir el riesgo de incendio, descarga eléctrica o lesiones a la gente cuando usted usa el aire acondicionado, siga las precauciones básicas, incluyendo las siguientes:

- Asegúrese de que el servicio eléctrico sea adecuado para el modelo elegido. Esta información podría ser encontrado en este serie de placas, los cuales están situado en un lado del armario y detrás de la rejilla.
- Si el aire acondicionado va a ser instalado en una ventana, quizá quiere limpiar ambos lados de los vidrios primero. Si la ventana es un tipo de triple pista con un panel de pantalla incluido, remueva la pantalla completamente antes de la instalación.
- Asegúrese de que el aire acondicionado está instalado a una manera segura y correcta según las instrucciones de instalación en este manual. Guarda este manual para quitar lo instalarlo en el future.
- Al manipular el aire acondicionado, tenga cuidado para evitar cortes de las aletas metálicas afiladas en los serpentines frontales y traseros.

WARNING

Información Eléctrica

Las especificaciones eléctricas completas de su nuevo aire acondicionado de la habitación está indicada en el serie de placa. Consulte a las especificaciones cuando compraba los requisitos eléctricos.

- Asegúrese de que al aire acondicionado está puesto bien. Para minimizar los riesgos de choque eléctrico e incendio, es muy important ponerlo bien. El cable de energía está equipado con un enchufe de 3 clavijas conectado a la tierra para protección contra posibles descargas eléctricas.
- Su aire acondicionado debe ser utilizado en una manera correcta puesta en la tierra. Si el tomacorriente que pretende usar no está adecuadamente conectado a tierra o protegido por un fusible de retard o un interruptor de circuito, pida a un electricista calificado que instale el tomacorriente adecuado. Asegúrese de que el recipiente sea accesible después de la instalación de la unidad.
- No funciona el aire acondicionado sin cubierta protectora lateral. Este podría resultar daño mecánico dentro del aire acondicionado.
- **No utilice un cable de extensión ni un adaptador.**

Operación de Dispositivos de Corriente (Sólo aplicable a la unidad que adopta dispositivo de detección de corriente)

El cable de energía contiene un dispositivo que detecta daños en el cable eléctrico. Para comprobar su cable eléctrico sigue los siguientes:

1. Enchufe el aire acondicionado.
2. El cable de suministro de corriente tendrá dos botones en el enchufe. Pulse el botón de TEST, le darás cuenta de un clic cuando el botón TEST salta.
3. Pulse el botón RESET, vuelve a ver un clic cuando el botón activa.
4. El cable de suministro de corriente ahora suministra la electricidad a la unidad. (En algunos productos este también está indicado por una luz en la cabeza del enchufe.)

NOTA:

- No utilice este dispositivo a encender o apagar la unidad.
- Siempre asegúrese de que el botón RESET está presionado bajo una operación correcta.
- La fuente de corriente debe ser reemplazado si falle a restablecerlo ni con el botón TEST o RESET. Se puede obtener un nuevo del fabricante del producto. Si el cable de energía está dañado, no puede ser reparado.
- DEBE ser reemplazado por uno obtenido del fabricante del producto.

NOTA: Este aire acondicionado es diseñado para funcionar bajo las siguientes condiciones:

Funcionamiento de enfriamiento	Temperatura fuera	64-109°F/18-43°C (64-125°F/18-52°C Para los modelos tropicales especiales)
	Temperatura interior:	62-90°F/17-32°C
Funcionamiento de calefacción	Temperatura fuera	23-76°F/°C -5-2
	Temperatura interior:	32-80°F/ 0-27°C

Nota: Su rendimiento podría reducir fuera de estas temperaturas operativas.

ADVERTENCIA (SOLAMENTE CON REFRIGERANTE R290/R32)

- NO usar ningún medio para acelerar el proceso de descongelamiento ni para limpiar distinto a los recomendados por el fabricante.
- El aparato se deberá almacenar en una habitación donde no haya fuentes de ignición constantemente funcionando (por ejemplo, llamas abiertas, un aparato a gas funcionando, o con fuentes de ignición (por ejemplo, un calentador eléctrico funcionando) cercanas. El aparato se deberá almacenar en una habitación donde no haya fuentes de ignición constantemente funcionando (por ejemplo, llamas abiertas, un aparato a gas funcionando o un calentador eléctrico funcionando).
- No perforar ni quemar.
- Tener presente que los refrigerantes pueden ser inodoros.
- Se deberán obedecer las reglamentaciones nacionales relativas a gases.
- Mantener despejadas las aberturas de ventilación.
- Almacenar el aparato de manera tal que no sufra daños mecánicos.
- Una advertencia de que el aparato se deberá almacenar en un sitio bien ventilado, en el que las dimensiones de la habitación corresponden al área especificada para la operación.
- Toda persona que participe en el trabajo o intervenga en el circuito del refrigerante deberá contar con un certificado válido y actualizado otorgado por una autoridad de evaluación acreditada por la industria que autorice su competencia para manipular refrigerantes de modo seguro, de conformidad con las especificaciones de evaluación reconocidas por la industria.
- Solo se procederá a dar servicio de acuerdo a lo recomendado por el fabricante del equipo.
- El mantenimiento y reparación que requieran de la participación de otro personal capacitado se deberán realizar bajo la supervisión de una persona competente en el uso de refrigerantes inflamables.
- NO MODIFICAR la longitud del cable de alimentación ni usar un cable de alambre para energizar el equipo.
- NO COMPARTIR un tomacorriente sencillo con otros aparatos eléctricos. Una fuente de alimentación incorrecta puede causar un incendio o una descarga eléctrica.
- Para evitar daños o peligros, seguir cuidadosamente las instrucciones de manipulación, instalación, limpieza o servicio al acondicionador de aire. En el acondicionador de aire se usa refrigerante inflamable R32. Al dar mantenimiento o disponer del acondicionador de aire, se deberá recuperar el refrigerante (R32 o R290) de la forma correcta, no descargarlo al aire.
- Alrededor del acondicionador de aire no deberá haber llamas abiertas ni un dispositivo que pueda generar chispas o la formación de arco, para evitar la ignición del refrigerante inflamable usado. Seguir cuidadosamente las instrucciones de almacenaje o mantenimiento del acondicionador de aire para evitar daños mecánicos.
- En el acondicionador de aire se usa refrigerante inflamable R32. Seguir cuidadosamente las instrucciones para evitar todo peligro.







NOTA IMPORTANTE

Leer atentamente este manual antes de instalar u operar el equipo nuevo de acondicionamiento de aire. Conservar este manual para futura referencia.

PRECAUCIÓN

Riesgo de incendio/materiales inflamables (Requerido solamente para equipos R32/R290)

Explicación de los símbolos exhibidos en el equipo (pues emplea exclusivamente refrigerante R32/R290):

	ADVERTENCIA	Este símbolo muestra que este aparato usa un refrigerante inflamable. Si hay una fuga de refrigerante o este se expone a una fuente de ignición externa, hay riesgo de incendio.
	PRECAUCIÓN	Este símbolo indica que se deberá leer el manual de operación con detenimiento.
	PRECAUCIÓN	Este símbolo indica que el personal de servicio deberá manipular este equipo con referencia al manual de instalación.
	PRECAUCIÓN	Este símbolo muestra que hay información disponible, por ejemplo, en un manual de operación o en un manual de instalación.

ADVERTENCIAS (solamente con refrigerante R290/R32)

1. Transporte de equipos que contengan refrigerante inflamable

Véanse las reglamentaciones de transporte.

2. Marcado de equipos mediante símbolos

Véanse las reglamentaciones locales.

3. Eliminación de equipos que usan refrigerante inflamable

Véanse las reglamentaciones nacionales.

4. Almacenaje de equipos/aparatos

El almacenaje del equipo se deberá realizar de conformidad con las instrucciones del fabricante.

5. Almacenaje de equipos embalados (sin vender)

La protección del embalaje de almacenaje se deberá construir de manera tal que los daños mecánicos al equipo dentro del embalaje no causen la pérdida de la carga de refrigerante.

La máxima cantidad de piezas de equipos que se permite almacenar juntas quedará determinada por las reglamentaciones locales.

6. Información sobre servicios

- a) Controles del área: Antes de comenzar a trabajar en sistemas que contengan refrigerantes inflamables, es necesario realizar controles de seguridad para asegurarse de que se minimice el riesgo de ignición. Al reparar el sistema refrigerante, se deberán cumplir las siguientes precauciones antes de trabajar en el sistema.
- b) Procedimiento de trabajo: El trabajo se deberá emprender bajo un procedimiento controlado con el objeto de minimizar el riesgo de que haya gases o vapores inflamables mientras se realiza el trabajo.
- c) Área de trabajo general: Se deberá informar a todo el personal de mantenimiento y a toda otra persona que trabaje en el área sobre la naturaleza de la labor que se está realizando. Evítese el trabajo en espacios confinados. Delimitar y separar el área alrededor del espacio de trabajo. Asegurarse de que las condiciones dentro de esa área sean seguras mediante el control del material inflamable.
- d) Control de la presencia de refrigerante: Controlar el área con un detector de refrigerantes apropiado antes del trabajo y durante el trabajo, para asegurarse de que el técnico esté alerta ante atmósferas potencialmente inflamables. Asegurarse de que el equipo para detección de fugas usado sea adecuado para refrigerantes inflamables, es decir, que no produzca chispas, que esté debidamente sellado o que sea intrínsecamente seguro.

- e) Presencia de extintor: Si se realizarán trabajos en caliente en el equipo de refrigeración o cualquier parte asociada, de deberá tener a mano equipos de extinción apropiados. Tener un extintor de polvo seco o CO2 cerca del área de carga.
- f) Ausencia de fuentes de ignición: Ninguna persona que realice un trabajo relacionado con el sistema de refrigeración que implique la exposición de una tubería que contenga o haya contenido refrigerante inflamable debe usar fuentes de ignición de manera tal que puedan conducir a riesgos de incendio o explosión. Todas las posibles fuentes de ignición, incluido el fumar cigarrillos, se deberán mantener lo suficientemente alejadas del lugar de la instalación, reparación, retirado y eliminación, mientras haya posibilidades de que se libere el refrigerante inflamable al espacio circundante. Antes del trabajo, inspeccionar el área alrededor del equipo para corroborar que no haya peligros inflamables ni riesgos de ignición. Se exhibirán carteles que digan Prohibido fumar.
- g) Área ventilada: Asegurarse de que el área se encuentre en un sitio abierto o adecuadamente ventilado antes de intervenir en el sistema o de realizar cualquier trabajo en caliente. Se deberá mantener un grado de ventilación durante el periodo en el que se realice el trabajo. La ventilación deberá dispersar de modo seguro todo refrigerante libre y preferiblemente expulsarlo externamente hacia la atmósfera.
- h) Controles del equipo de refrigeración: Cuando se cambien componentes eléctricos, estos deberán ser adecuados para el propósito y la especificación correcta. Seguir en todo momento las pautas de mantenimiento y servicio del fabricante. En caso de dudas, consultar y solicitar asistencia al departamento técnico del fabricante. En instalaciones en las que se usen refrigerantes inflamables, se deberán realizar los siguientes controles:
- El tamaño de la carga corresponde a la dimensión de la habitación donde se instalan las partes que contienen refrigerante;
 - El funcionamiento de la maquinaria y las salidas de ventilación es adecuado y no hay obstrucciones;
 - Si se usa un circuito de refrigeración indirecto, revisar el circuito secundario para determinar la presencia de refrigerante;
 - Las marcas en los equipos siguen siendo visibles y legibles. Reparar toda marca y cartel ilegibles;
 - La tubería o componentes de refrigeración están instalados en una posición en la que sea poco probable que queden expuestos a alguna sustancia que corroa los componentes que contengan el refrigerante, a menos que los componentes estén fabricados de materiales inherentemente resistentes a corrosión o que estén adecuadamente protegidos a la corrosión.
- i) Controles de los dispositivos eléctricos: La reparación y el mantenimiento de los componentes eléctricos deberán incluir controles de seguridad iniciales y procedimientos de inspección de componentes. En caso de falla que pueda poner en peligro la seguridad, entonces no se deberá conectar ningún suministro eléctrico al circuito hasta tanto la falla satisfactoriamente corregida. Si no es posible corregir la falla de inmediato, pero es necesario continuar con las operaciones, entonces se deberá usar una solución temporal adecuada. Dar aviso de la situación al propietario del equipo para que todas las partes sean notificadas. Los controles de seguridad iniciales incluyen:
- Que los capacitores estén descargados: esto se realizará de manera segura para evitar la posibilidad de chispas;
 - Que no hay componentes y cables eléctricos energizados expuestos mientras se carga,

recupera o purga el sistema;

- Que hay continuidad en la toma a tierra.

7. Reparaciones en componentes sellados

- a) Durante las reparaciones de componentes sellados, se deberán desconectar todos los suministros eléctricos de los equipos sobre los que se está trabajando, antes de que se quiten las tapas selladas, etc. Si es absolutamente necesario tener un suministro eléctrico para los equipos durante el servicio, entonces se deberá colocar un sistema de detección de pérdidas permanentemente operando en el punto más crítico para advertir de una situación potencialmente peligrosa.
- b) Prestar particular atención a lo siguiente para garantizar que, al trabajar sobre los componentes eléctricos, no se alterará de ninguna forma el revestimiento de modo tal que se perjudique el nivel de protección. Esto incluirá daños a cables, cantidad excesiva de conexiones, terminales que no correspondan a la especificación original, daños a sellos, inadecuado ajuste de empaquetaduras, etc.
 - Asegurarse de que el aparato esté montado de modo seguro.
 - Asegurarse de que los sellos o material de sellado no se han degradado, de forma tal que ya no sirvan para prevenir la entrada de atmósferas inflamables. Las piezas de reemplazo deberán estar de conformidad con las especificaciones del fabricante.

▲ NOTA: El uso de selladores de siliconas podría inhibir la efectividad de algunos tipos de equipos de detección de fugas. No es necesario aislar los componentes intrínsecamente seguros antes de trabajar sobre ellos.

8. Reparación de componentes intrínsecamente seguros

No aplicar cargas capacitivas ni inductivas permanentes al circuito sin asegurarse de que estas no superarán la tensión admisible y la corriente permitida para el equipo en uso.

Los componentes intrínsecamente seguros son los únicos que se pueden trabajar mientras están energizados en presencia de una atmósfera inflamable. El aparato de ensayos deberá tener la capacidad correcta.

Reemplazar los componentes solamente por otros especificados por el fabricante. Otras partes podrían causar la ignición del refrigerante en la atmósfera debido a una fuga.

9. Cableado

Verificar que los cables no estarán sujetos a desgaste, corrosión, presión excesiva, vibraciones, cantos filosos o ningún otro efecto ambiental adverso. El control deberá también tener en cuenta los efectos del envejecimiento o de las vibraciones continuas de elementos como compresores o ventiladores.

10. Detección de refrigerantes inflamables

Bajo ninguna circunstancia se usarán potenciales fuentes de ignición en la búsqueda o detección de fugas de refrigerante. No usar un soplete de haluro (ni ningún otro detector que use una llama desnuda).

11. Métodos para detección de fugas

Los siguientes métodos para detección de fugas se consideran aceptables para sistemas que contengan refrigerantes inflamables. Se deberán usar detectores de fugas electrónicos para detectar refrigerantes inflamables, sin embargo, su sensibilidad podría no ser adecuada o podría ser necesario recalibrarlos. (Calibrar el equipo de detección en un lugar donde no haya refrigerante) Asegurarse de que el detector no sea una potencial fuente de ignición y que sea adecuado para el

refrigerante usado. El equipo de detección de fugas se deberá fijar a un porcentaje del límite inferior de inflamabilidad (LII) del refrigerante y se calibrará según el refrigerante empleado y el porcentaje de gas apropiado (25% máximo) está confirmado. Aunque los fluidos para detección de fugas son adecuados para usar con la mayoría de refrigerantes, se deberá evitar el uso de detergentes que contengan cloro pues este podría reaccionar con el refrigerante y corroer la tubería de cobre. Si se sospecha que hay una fuga, se deberán eliminar/extinguir toda llama desnuda. Si se encontrara una fuga de refrigerante que deba ser reparada mediante soldadura fuerte, se deberá recuperar todo el refrigerante del sistema o se lo deberá aislar (mediante válvulas de corte) en una parte del sistema alejada de dicha fuga. El nitrógeno sin oxígeno se deberá purgar entonces a través del sistema antes y durante el proceso de soldadura fuerte.

12. Eliminación y evacuación

Cuando se intervenga dentro del circuito refrigerante para hacer reparaciones o por cualquier otro motivo, se deberán usar procedimientos convencionales. Sin embargo, es importante seguir las mejores prácticas ya que la inflamabilidad es una consideración. No abrir los sistemas de refrigeración mediante soldadura fuerte. Sígase el procedimiento a continuación:

- Quitar el refrigerante;
- Purgar el circuito con gas inerte;
- Evacuar;
- Volver a purgar con gas inerte;
- Abrir el circuito mediante corte o soldadura fuerte.

Recuperar la carga refrigerante en los cilindros de recuperación correctos. Enjuagar el sistema con nitrógeno sin oxígeno para volver seguro el equipo. Podría ser necesario repetir este proceso muchas veces. Para esta tarea, no usar oxígeno ni aire comprimido.

La limpieza se deberá realizar quitando el vacío en el sistema con nitrógeno sin oxígeno y luego llenando hasta alcanzar la presión de trabajo, luego ventilar hacia la atmósfera y por último extraer hasta lograr el vacío. Repetir el proceso hasta que no quede refrigerante dentro del sistema.

Cuando se usa la carga de nitrógeno sin oxígeno final, se ventilará el sistema hasta que alcance la presión atmosférica y permitir que se pueda realizar el trabajo. Esta operación es absolutamente vital si se van a realizar operaciones de soldadura fuerte en la tubería.

Corroborar que la salida de la bomba de vacío no esté cerca de ninguna fuente de ignición y que se disponga de ventilación.

13. Procedimiento de carga

Además de los procedimientos de carga convencionales, se deberán respetar los requisitos siguientes:

- Asegurarse de que no se contaminen los distintos refrigerantes cuando se use un equipo de carga. Las mangueras o líneas deberán ser lo más cortas posibles para minimizar la cantidad de refrigerante en ellas contenidas.
- Los cilindros se deberán mantener erguidos.
- Asegurarse de que el sistema de refrigeración esté conectado a tierra antes de cargarlo con refrigerante.
- Etiquetar el sistema cuando se haya completado la carga (si todavía no lo está).
- Proceder con sumo cuidado para no cargar en exceso el sistema de refrigeración.
- Antes de recargar el sistema, efectuar a un ensayo de presión con nitrógeno sin oxígeno.

Efectuar un ensayo de fugas al terminar la carga pero antes de la puesta en servicio. Efectuar un ensayo de fugas de seguimiento antes de abandonar el sitio.

14. Puesta fuera de servicio

Antes de este procedimiento, es fundamental que el técnico esté completamente familiarizado con el equipo y todos sus detalles. Es una buena práctica recomendada que todos los refrigerantes sean recuperados de manera segura. Antes de poder proceder a la tarea, tomar una muestra de aceite y de refrigerante por si se llegara a necesitar un análisis antes de la reutilización del refrigerante recuperado. Es fundamental disponer de una fuente de energía eléctrica antes de comenzar la tarea.

- a) Familiarizarse con el equipo y su operación.
- b) Aislar eléctricamente el sistema.
- c) Antes de intentar el procedimiento, verificar que: El equipo de manipulación mecánica esté disponible, si fuera necesario, para manipular los cilindros de refrigerante; todos los equipos de protección personal estén disponibles y sean usados correctamente; el proceso de recuperación sea supervisado en todo momento por una persona competente; los equipos de recuperación y los cilindros estén conformes a las normas apropiadas.
- d) Reducir la presión del sistema refrigerante con una bomba, si es posible.
- e) Si no es posible realizar un vacío, emplear un múltiple de modo que se pueda quitar el refrigerante desde diversas partes del sistema.
- f) Asegurarse de que el cilindro esté dentro de las escalas antes de que la recuperación tenga lugar.
- g) Arrancar la máquina de recuperación y operarla de conformidad con las instrucciones del fabricante.
- h) No sobrellenar los cilindros. (No más que el 80 % de carga de volumen líquido).
- i) No superar la presión de trabajo máxima del cilindro, ni siquiera temporalmente.
- j) Cuando los cilindros han sido llenados correctamente y el proceso ha sido completado, asegurarse de que los cilindros y el equipo sean retirados del sitio con celeridad y que todas las válvula de aislamiento que se encuentran en el equipo sean cerradas.
- k) No cargar el refrigerante recuperado en otro sistema de refrigeración a menos que se lo haya limpiado y revisado.

15. Etiquetado

Se deberá etiquetar el equipo para indicar que ha sido puesto fuera de servicio y que se le ha vaciado el refrigerante. La etiqueta deberá estar fechada y firmada. Asegurarse de que las etiquetas indiquen que el equipo contiene refrigerante inflamable.

16. Recuperación

Cuando se retira refrigerante de un sistema, ya sea para servicio o puesta fuera de servicio, es una buena práctica recomendada que todos los refrigerantes sean retirados de manera segura. Al transferir refrigerante a un cilindro, asegurarse de que solo se empleen cilindros de recuperación de refrigerante apropiados. Asegurarse de que se disponga de la cantidad correcta de cilindros necesarios para contener la carga total del sistema. Todos los cilindros están diseñados para el refrigerante recuperado y están etiquetado para ese refrigerante (es decir, cilindros especiales para la recuperación del refrigerante). Los cilindros deberán contener una válvula de alivio de seguridad y válvulas de cierre apropiadas en buen estado de funcionamiento.

Los cilindros de recuperación vacíos se evacúan y, de ser posible, enfrían antes de que tenga lugar la recuperación.

El equipo de recuperación deberá estar en buen estado de funcionamiento, estar acompañado por un conjunto de instrucciones relativas al equipo a mano y adecuado para la recuperación de refrigerantes inflamables. Además, se deberá disponer de un conjunto de escalas de peso calibradas, que estén en buen estado de funcionamiento.

Las mangueras se deberán completar con conexiones a prueba de fugas, que estén en buen estado. Antes de usar la máquina de recuperación, verificar si está en buen estado de funcionamiento, si ha sido mantenida de la forma correcta y que cualquier componente eléctrico asociado esté sellado para prevenir ignición en caso de una liberación del refrigerante. En caso de duda, consultar al fabricante.

El refrigerante recuperado deberá ser devuelto al proveedor del refrigerante en el cilindro de recuperación correcto, con la nota de transferencia de residuos pertinente preparada. No mezclar refrigerantes en equipos de recuperación y, especialmente, no en cilindros. Si se van a retirar compresores o aceites de compresor, asegurarse de que han sido evacuados a un nivel aceptable para asegurarse de que no quede refrigerante inflamable dentro del lubricante. El proceso de evacuación se deberá efectuar antes de devolver el compresor al proveedor. Para acelerar este proceso, solamente se deberá aplicar calefacción eléctrica al cuerpo compresor. Cuando se drene aceite de un sistema, se deberá realizar el proceso de modo seguro.

INSTRUCCIONES DE INSTALACIÓN



Antes de Empezar

Lea esta instrucción completamente y con mucho cuidado.

IMPORTANTE- Guarda esta instrucción en un lugar del insperctor o el usuario.

IMPORTANTE- Consulte todos los códigos y ordenanzas vigentes.

Nota para instalar- Asegúrese de dejar las instrucciones al cliente.

Nota para el cliente- Guarda la instrucción para el uso futuro.

Nivel de habilidad- Para instalarla requiere una habilidad básica mecánica.

Plazo de ejecución- Aproximadamente 1 horas.

Le recomendamos que dos personas lo instalen. Una instalación correcta es la responsabilidad del instalador.

El fallo del product por una instalación incorrect no está incluido en la garantía.

DEBE usar todas las partes suministradas y los productos de instalación correctamente según la descripción en la instrucción cuando instala esta aire acondicionado.



REQUISITOS DE LA VENTANA

Su aire acondicionado es diseñado para instalar en ventanas estandar de doble panel con un ancho de apertura de 23 a 36 pulgadas(584mm a 914mm).

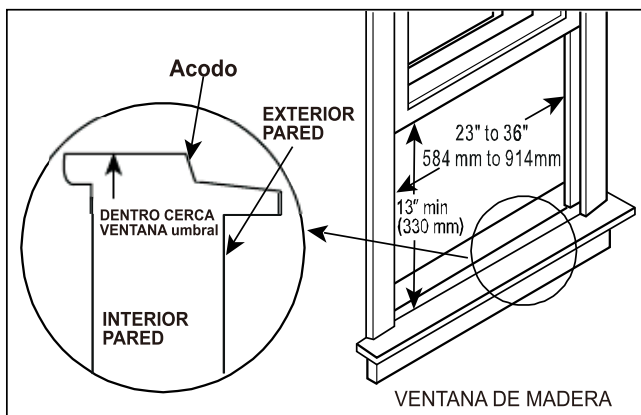


Tabla 1



CAUTION

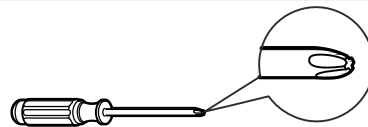
Nunca, en ningún caso corta o remueve la tercera(teirra) clavija del cable de energía.

No lo cambie el enchufe en el cable de energía del aire acondicionado.

Cableado domestic de aluminio podría causar problemas especiales—consulte a un electricista calificado.

Al manipular la unidad, tenga cuidado de evitar cortes de los bordes metálicos afilados y aletas de aluminio en las bobinas frontales y posteriors.

HEERAMIENTOS QUE NECESITE



Destornillador



RANGO

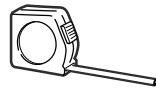
HERRAMIENTOS QUIZÄ NECESITE



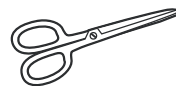
Destornillador



Lápiz



Regla o cinta métrica



Tijera o cuchillo



NOTA:

Guarde los cartones y estas instrucciones de instalación para el uso futuro.El carton es la major manera a almacenar la unidad en el invierno o cuando no lo use.

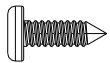
INSTALLATION INSTRUCTIONS (for 5000-12000Btu/h)

1 PREPARE LA VENTANA

El marco interior debe poder abrirse un espacio suficiente para la limpieza con una apertura(H) de los siguientes tamaños(consulte la Tabla 1).

Rejillas laterales y la parte trasera de la AC debe tener un espacio libre de aire que permite suficiente flujo de aire a través del condensador, para la eliminación del calor. La parte trasera de la unidad debe estar fuera, no dentro de un edificio ni garaje.

Accesorios de montaje



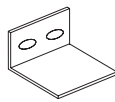
3/4" (or 1/2")
Tornillos
(7)



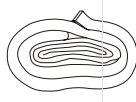
(Para ventanas de madera)
Bloqueo de marco
(2)



(Para Ventanas con revestimiento de vinilo)
Bloqueo de marco
(2)

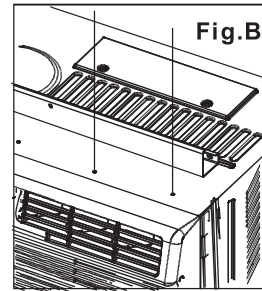


Bloqueo de la ventana
(1)

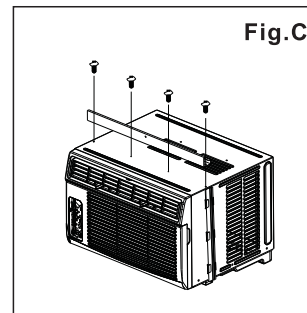


Guillotina de ventana
Sello de espuma
(1)

C: Alinee el agujero en la barra superior con los de la parte superior de la unidad, como se muestra en la Fig.B.



D: Instala el riel superior a la unidad con un tronillo de 3/8" como se muestra en la Fig.C.



NOTA: Para su seguridad, todos los cuatro(4) tornillos DEBEN estar bien sujetos

NOTA: El hardware del carril superior y la Fig.A, Fig.B y Fig.C no son aplicables para la unidad más que 10000Btu/h. Antes de instalarla, el carril superior debe ser montado en la unidad(Sólo para el modelo de <10000Btu/h).

2 PREPARA EL AIRE ACONDICIONADO

A: Remueva el aire acondicionado desde la caja y coloquelo sobre una superficie plana.

B: Retire el carril superior de la parte posterior del material de envase como se muestra en Fig. A.

Hardware del carril superior



3/8" Tornillos
(4)



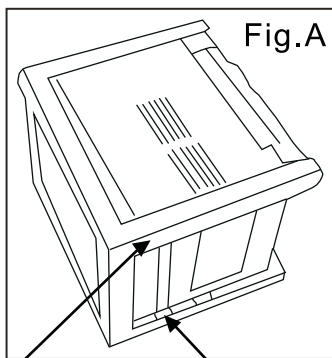
Carril superior
(1)



Burlete
(5)



Hardware R1
(2)



Embalaje

Carril superior

3 INSTALAR LOS PANELES DEL AIRE ACONDICIONADO

NOTA: El carril superior y los paneles deslizantes en cada lado se sirve para ofrecer un paso adecuado a la parte trasera(5/16"). Es necesario para la utilización del agua condensada y el drenaje adecuado. Si no use los paneles laterales por ningún razón, debe mantener este paso hacia la parte trasera.

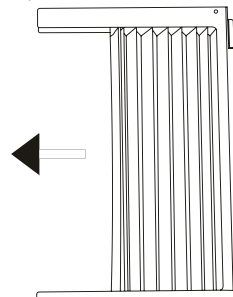


Fig.1

A. Ponga la unidad en el suelo, un banco o una mesa. Sujete el panel de acordeón en una mano y suavemente tire hacia atrás el centro para sacarla fuera. Consulte Fig.1.

INSTRUCCIONES DE INSTALACIÓN

B. Deslice la sección "I" del labo libre del panel directamente entre el gabinete como se muestra en Fig.2. Deslice el panel abajo. Asegúrese de dejar suficiente espacio para deslizar el parte superior y inferior del marco entre el carril del gabinete.

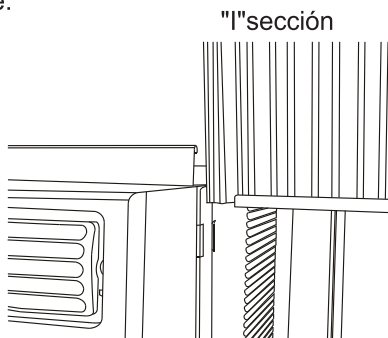


Fig.2

C. Una vez el panel está instalado en un lado del gabinete, asegúrese de que esté correctamente dentro del canal del marco con ajustes suaves. Deslice los extremos superior e inferior del marco en el carril del gabinete. Fig.3.

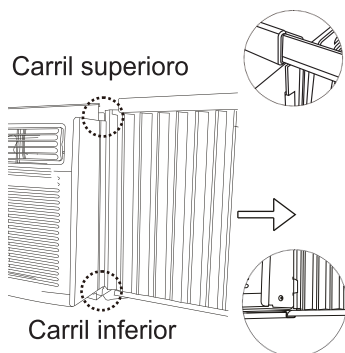
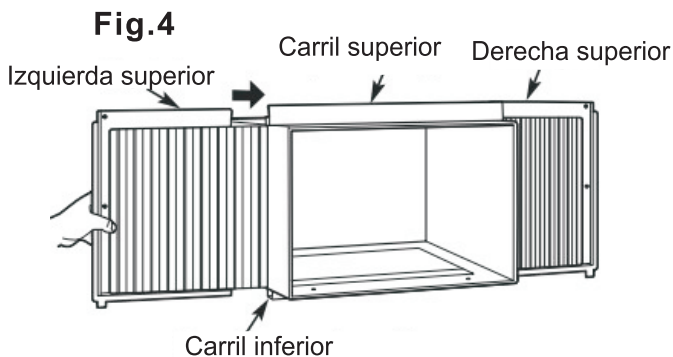


Fig.3

D. Deslice el panel hasta el fondo y repítalo al otro lado.



NOTA: Si la ventana de la tormenta bloquea AC, consulte Fig.11.

4 INSTALA LOS PANELES DE ACORDEÓN

A. Agarre firme al aire acondicionado, ponga la unidad en la apertura de la ventana con mucho cuidado para que el fondo del marco del aire acondicionado está contra el umbral de la ventana (Fig. 5). Acerque la ventana detrás el carril superior de la unidad con mucho cuidado.

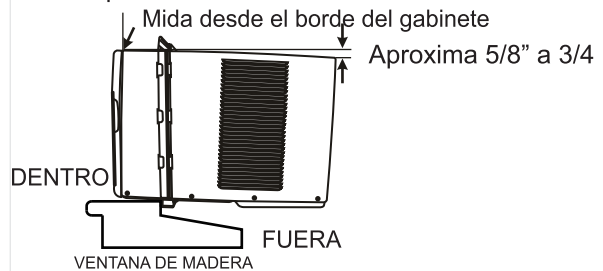


Fig.5

NOTA: Comprueba que el aire acondicionado está inclinada hacia atrás casi H (Fig.5) (inclinado unos 3° a 4° desde el fondo hacia la fuera) después de la instalación, correcta, el condensado no debe bajar desde el orificio de drenaje de desbordamiento durante su uso normal, corrija la pendiente de otro modo.

B. Extienda los paneles laterales en contra del marco de la ventana. (Fig.6)

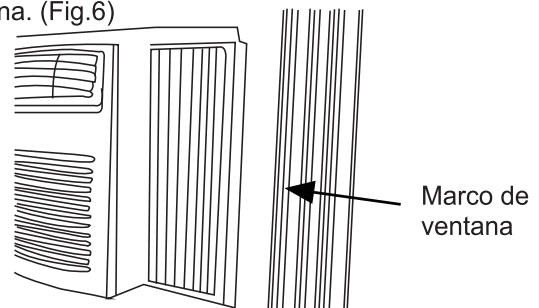


Fig.6

5 INSTALAR EL SOPORTE

A. Ponga el bloqueo del marco entre la extensión de los marcos y el umbral de la ventana como se muestra (Fig.7). Llave 3/4 "(19 mm) o 1/2" (12.7 mm) tornillos de bloqueo a través de la cerradura de marco y en el alféizar.

NOTA: Para evitar la división del umbral de la ventana, taladre un agujero piloto de 1/8" (3mm) antes de conducir los tornillos.

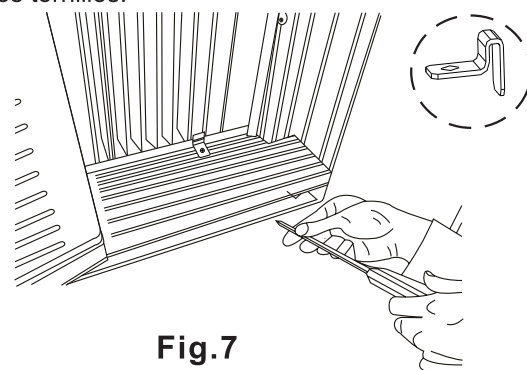


Fig.7

INSTRUCCIONES DE INSTALACIÓN

B. Conduzca tornillos de bloqueo de 3/4" (19mm) or 1/2" (12.7mm) entre los agujeros del marco en la hoja de la ventana. (Fig.8).

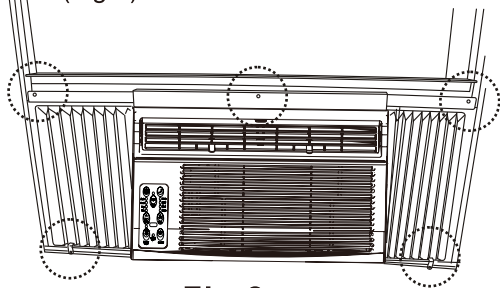


Fig.8

C. Para instalar la baja hoja inferior en un lugar correcto, coloque bien el bloqueo de la hoja ángulo con tornillos de 3/4" (19mm) o 1/2" (12.7mm) como se muestra(Fig.9).



Fig.9

D. Corte el sello de espuma de la hoja de la ventana y pongala en el lugar entre las hojas superiores e inferiores. (Fig.10).

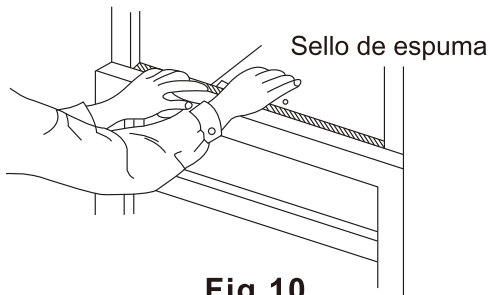


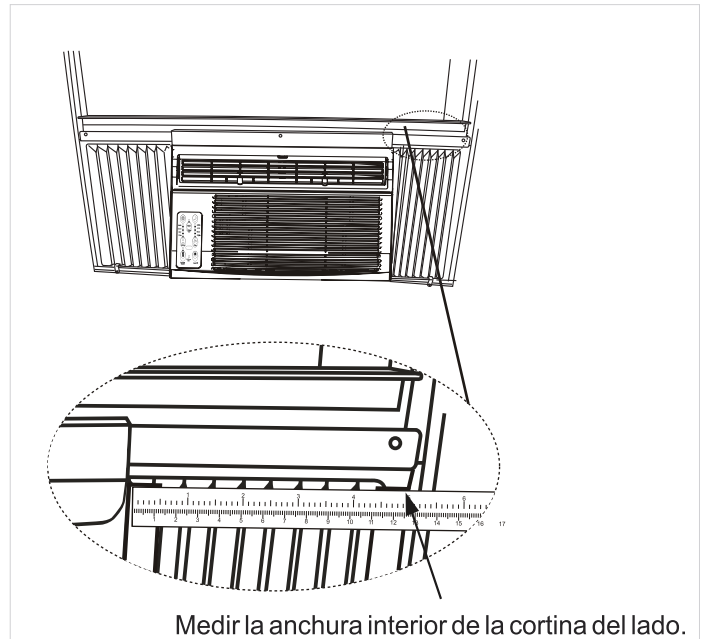
Fig.10

6 ACESORIOS PARA MONTAJE R1 (Solo aplica para los modelos Energy star)

Para minimizar las fugas de aire y asegurar un aislamiento óptimo, es necesario instalar en la cortina lateral los accesorios para montaje R1 incluidos. Siga las siguientes instrucciones.

Paso 1: Después de que la unidad esté instalada en la ventana, mida el ancho interno de la cortina lateral como se ilustra en (Figura 11).

Paso 2: Marque una línea en el panel de aislamiento R1 provisto de acuerdo con una longitud de 1/8 (3mm) menor al ancho medido en el paso 1, luego corte el panel de aislamiento R1 siguiendo la línea (Figura 12).



Medir la anchura interior de la cortina del lado.

Fig.11

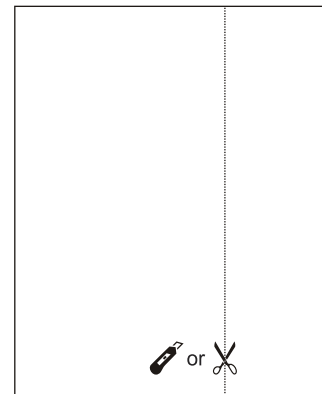


Fig.12

Paso 3. Deslice el panel de aislamiento en la cortina lateral R1, El lado con patrón debe enfrentar el lado interior. (Figura 13).

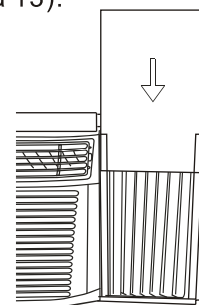


Fig.13

Paso 4. Repetir en el otro lado.

INSTRUCCIONES DE INSTALACIÓN

7 INSTALACIÓN DE BURLETE (Solo aplica para los modelos Energy star)

Para minimizar las fugas de aire entre el aire acondicionado de la habitación y la apertura de la ventana, corte el burlete a una longitud apropiada, quite el revestimiento protector y rellene cualquier espacio de ser necesario (Figura 14).

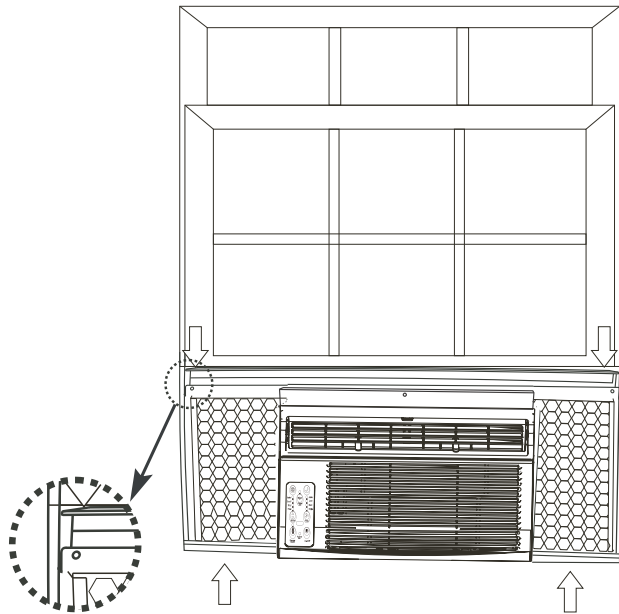


Fig.14

Si AC esté bloqueado por la Ventana de Tormenta de Tormenta

Añada maderas como se muestra en Fig.11, o elimine la ventana de tormenta antes del aire acondicionado. Si el marco de la Ventana de Tormenta debe permanecer, asegúrese de que los agujeros de drenaje o ranuras no se calafatea o se pinta cerrada. El agua de lluvia acumulada o condensada debe poder drenar.

Eliminar AC de la Ventana

- ◆ Apaga el AC y separalo con el suministro de energía.
- ◆ Retire el sello de la hoja de ventana y desenrosque el bloqueo seguro de la hoja.
- ◆ Retire los tornillos instalados a través el marco y bloqueo del marco.
- ◆ Cierre(deslice) los paneles laterals entre los marcos.
- ◆ Garre firme al aire acondicionado, levanta la hoja y eliminala con cuidado.
- ◆ Tenga cuidado no derramar el agua restante mientras levante la unidad desde la ventana. Guarda las partes CON el aire acondicionado.

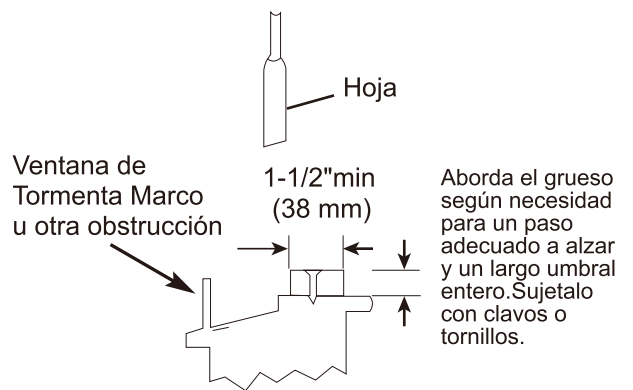


Fig.11

SONIDOS NORMALES

Sonido Agudo

Un compresor con alta eficiencia podrá tener un sonido agudo durante su ciclo de refrigeración.

Vibración

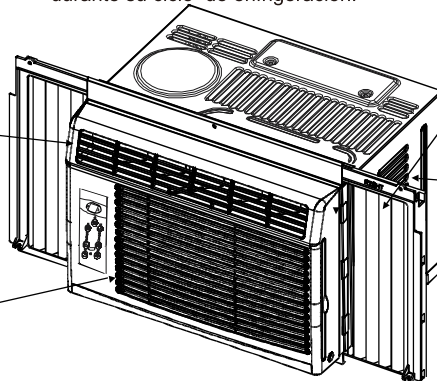
La unidad podrá vibrar y hacer "ruido por una débil pared o construcción de ventana o una instalación incorrecta.

Sonido del Corriente del Aire

En la frontera de la unidad, podría oír un sonido del corriente del aire debido al movimiento del ventilador.

Gurgle/Silbido

El sonido de Gurgle/silbido podría ser la consecuencia de que el refrigerante pasa por el evaporador durante su operación normal.



El Sonido de Ping o el Conmutador

Las gotas del agua cayendo sobre el condensador podría causar el sonido de ping o el conmutador.

NOTA:

Todas las ilustraciones en esta manual son para explicar sólo. Su aire acondicionado podría ser un poco diferente. Prevalezca a la forma real.

CARACTERÍSTICAS DEL AIRE ACONDICIONADO

INSTRUCCIONES DE LA OPERACIÓN DEL CONTROL ELECTRÓNICO

Antes de empezar, debe familiarizarse completamente con el panel de control y todas sus funciones como se muestra abajo, después sigue los símbolos para las funciones que desea. **La unidad podría ser controlado por el control sólo o con el remoto.**

Para encender o apagar la unidad

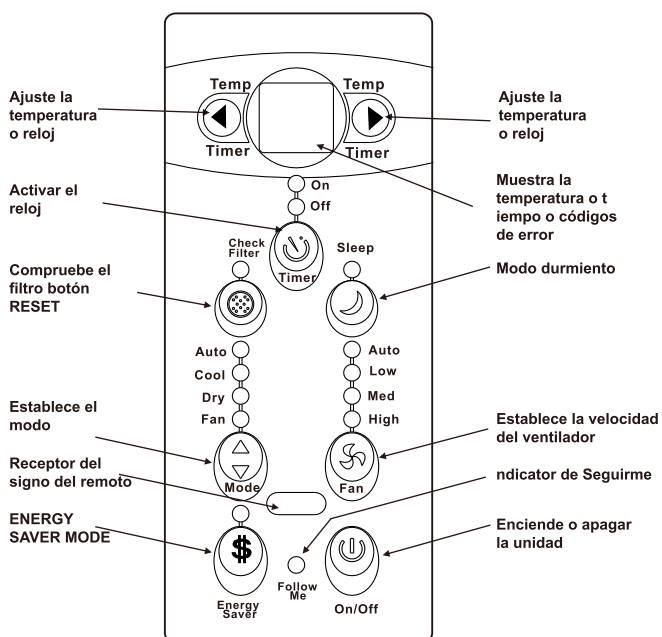
Presiona **ON/OFF** botón a encender o apagar

NOTA: la unidad iniciará automáticamente la función de Ahorro de Energía bajo los modos de Frío, Seco, Auto (Sólo Auto-Frío y Auto-Ventilador).

A cambiar las opciones de la temperatura:

Presiona **UP/DOWN** botón a cambiar las opciones de la temperatura


NOTA: Pulse o mantenga presionando el botón UP (▶) o DOWN (◀) hasta se muestra la temperatura que quiere. La mantiene automáticamente esta temperatura en cualquier lugar entre 62°F (17°C) y 86°F (30°C). Si quiere saber la temperatura actual de la habitación, elige la Operación de sección Fan Only.




CONTROL DE LA UNIDAD

CARACTERÍSTICAS DEL AIRE ACONDICIONADO


PARA MODIFICAR LA VELOCIDAD DEL VENTILADOR

Presiona  a elegir la velocidad del ventilador en cuatro grados- Auto, Bajo, Med o Alto. Cada vez presiona el botón, se modifica el modo de la velocidad del ventilador. Bajo el Modo Seco, la velocidad está controlado en Bajo automáticamente.


FUNCIÓN DURMIENTA:

Presiona  el botón durmiente a iniciar el modo durmiente. Bajo este modo la temperatura selecciona incrementará a 2°F/1(o 2)°C 30 minutos después de elegir el modo. La temperatura va a incrementar un otro 2°F/ 1(o 2)°C después de 30 minutos adicional. Esta temperatura va a mantener 6 horas antes de volver a su temperatura elegida originalmente. Esto termina el modo durmiente y la unidad continuará a funcionar según lo programado originalmente. El modo durmiente puede ser cancelado en cualquier momento durante su función con presionando el botón durmiente otra vez.

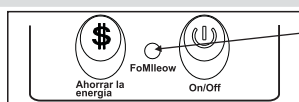
FUNCIÓN DE INSPECCIÓN:

Presiona  comprueba el botón de filtro para iniciar esta función. Esta función es un recordatorio para limpiar el filtro de aire para su funcionamiento eficaz. El LED (luz) will iluminará después de 250 horas de función. Para encenderla después de la limpieza, presiona el botón Check Filter y la luz va a apagar.

FUNCIÓN DE AHORRAR LA ENERGÍA:

Presiona  botón de ahorrar la energía para iniciar esta función. Esta función es disponible bajo los modos Frío, Seco, Auto (Sólo Auto-Frío y Auto-Ventilador). El ventilador continúa funcionando 3 minutos después de que el compresor apaga. Entonces el ventilador gira 2 minutos cada 10 minutos intervalo hasta que la temperatura interior llega a la puesta, cuando el compresor vuelve a funcionar y empieza a enfriar.

FUNCIÓN DE SEGUIRME:(en algunos modos)




Luz parpadeando

Esta función SÓLO puede ser activado por el control remoto. El control remoto sirve como un termostato remoto permitiendo el control preciso de la temperatura en su ubicación.

Para activar la función de Seguirme, apunte el control remoto hacia la unidad y presiona el botón Follow Me. El remoto muestra la temperatura actual de su ubicación. El remoto envía signos al aire acondicionado cada 3 minutos intervalos hasta la presiona del botón Follow Me otra vez. Si la unidad no recibe signos desde el Follow Me 7 minutos intervalo, la unidad emitirá un sonido indicando que el modo Follow Me ha terminado.

A elegir el modo operativo:

A elegir el modo operativo, presiona  el botón Modo. Cada vez presiona el botón, selecciona un modo siguiendo orden como Auto, Frío, Seco y Ventilador. La luz del indicador ilumina y mantiene una vez que selecciona el modo. La unidad empieza la función de ahorrar la energía bajo los modos de Frío, Seco, Auto (Sólo Auto-Frío y Auto-Ventilador).

Para operar bajo la función auto:

- Cuando elige el modo AUTO del aire acondicionado, elegirá automáticamente operación como enfriamiento, calefacción (fuera el modo de sólo-frío), o modo de ventilador sólo según la temperatura elegida y la actual de la habitación.
- El aire acondicionado controlará la temperatura de la habitación automáticamente alrededor de la temperatura elegida por usted.
- En este modo, la velocidad del ventilador no puede ser modificado, empieza automáticamente con una velocidad según la temperatura de la habitación.


Para operar bajo el modo ventilador sólo:

- Utilice esta función solamente cuando no quiere friar, sirve como una circulación de aire de la habitación o para extraer el aire viciado (bajo algunos modos). (Recuerde abrir el respiradero durante esta función, pero manténgalo cerrado durante la función de friar para una eficiencia máxima de enfriamiento.) Puede elegir cualquier velocidad del ventilador que prefiera.
- Durante esta función, la pantalla mostrará la temperatura actual de la habitación, no la temperatura elegida, como el modo frío.
- Bajo el modo de ventilador sólo, la temperatura no será ajustado.

Para operar bajo el modo Seco:

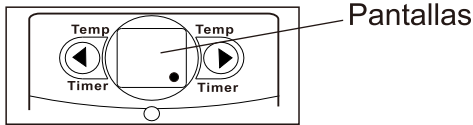
- Bajo este modo, el aire acondicionado poco a poco funciona en una manera de deshumidificador. Como el espacio condicionado es cerrado o sellado, un cierto grado de enfriamiento continuará.

RELOJ: FUNCIÓN DE AUTO EMPEZAR O TERMINAR:

- Cuando enciende la unidad, primero presiona  el botón reloj, el indicador TIMER ON luz ilumina. Este indica que el programa de Auto Empezar está iniciado.
- Cuando el tiempo del TIMER ON muestra, Presiona el botón otra vez, el indicador TIMER OFF luz ilumina, indicando que el programa de Auto Terminar está iniciado.
- Pulse o mantenga pulsando el botón UP o Down para cambiar el tiempo de Auto por incrementos de 0.5 horas hasta 10 horas, entonces una hora incrementos hasta 24 horas. El control contará regresiva del tiempo restante hasta el inicio.
- El tiempo elegido registrará en 5 segundos, y la sistema volverá automáticamente mostrar la temperatura anterior elegida o actual de la habitación una vez la unidad está encendida. (Cuando apaga la unidad, no muestra nada.)
- Enciende la unidad o apágala en cualquier tiempo o modificar el reloj a 0.0, va a cancelar el programa de Auto Empezar o Terminar el reloj.

CARACTERÍSTICAS DEL AIRE ACONDICIONADO

Pantallas:



PANTALLAS:

Muestra la temperatura en "°C" or "°F" y las opciones del Auto-reloj. Cuando bajo el modo de ventilador sólo, muestra la temperatura actual de la habitación.

Los códigos de error:

AS-Sensor de error de la temperatura de la habitación- desenchufe la unidad y conéctala otra vez. Si repite este error, llama al servicio.

- -Sensor de error del evaporador de la temperatura- Desenchufe la unidad y conéctala otra vez. Si el error repite, llama al servicio.

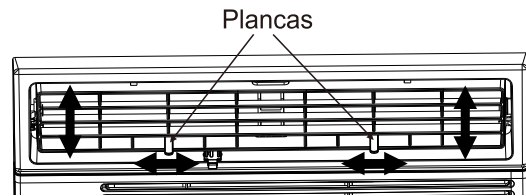
NOTA: "●" visualiza como se muestra en la imagen de la izquierda.

HS-El sensor de error de la calefacción eléctrica – Desenchufe la unidad y la conecta. Si el error repite, llama al servicio.

NOTA:

Si la unidad falla inesperadamente por el corte de suministro eléctrico, volverá a encender con la opción de la función previa automáticamente cuando el suministro reanuda.

Rejillas de la dirección del aire



Dirección del Aire

Las rejillas le permitan a dirigir el flujo de aire arriba o abajo (bajo algunos modos) y a la izquierda o derecha en toda la habitación según la necesidad. Se puede obtener las direcciones izquierda y derecha.

Mueva las palancas de lado a lado hasta que se obtenga la dirección izquierda / derecha deseada.

INFORMACIÓN ADICIONAL QUE DEBE SABER

Ahora es dueño del producto operativo, hay más funciones bajo su control que debe familiarizarse con:

- El circuito de Frío tiene un retraso de 3 minutos si la unidad enciende y apaga rápidamente. Este evita el sobrecalentamiento del compresor y la posibilidad del disparo del disyuntor. El ventilador continuará funcionando durante este tiempo.
- El control es capaz de mostrar la temperatura en grados Fahrenheit o grados Celsius. Para cambiar uno a otro, presiona y mantenga pulsando los botones izquierda y derecha de Temp/Timer al mismo tiempo durante 3 segundos.

MANTENIMIENTO Y LIMPIEZA

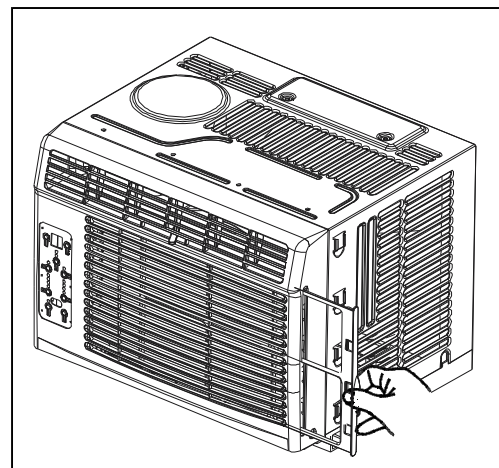
CAUTION

Limpe su aire acondicionado de vez en cuando para mantenerlo un buen aspecto. **Asegúrese de desenchufar la unidad antes de limpiarla para evitar el riesgo de cuña o incendio.**

Limpieza del Filtro de Aire

El filtro de aire debe ser revisado al menos una vez al mes para ver si es necesario a limpiarlo. Las atrapadas partículas en el filtro podrán acumularse y causar una acumulación de escarchas en las bobinas de enfriamiento

Limpieza del Filtro de Aire



INSTRUCCIONES DE INSTALACIÓN (for 15000 Btu/h)



ANTES DE EMPEZAR

Lea esta instrucción completamente y con mucho cuidado.

IMPORTANTE- Guarda esta instrucción en un lugar del inspector o el usuario.

IMPORTANTE- Consulte todos los códigos y ordenanzas vigentes.

Nota para instalar- Asegúrese de dejar las instrucciones al cliente.

Nota para el cliente- Guarda la instrucción para el uso futuro.

Nivel de habilidad- Para instalarla requiere una habilidad básica mecánica.

Plazo de ejecución- Aproximadamente 1 hora.

Le recomendamos que dos personas lo instalen..

Una instalación correcta es la responsabilidad del instalador.

El fallo del product por una instalación incorrect no está incluido en la garantía.

DEBE usar todas las partes suministradas y los productos de instalación correctamente según la descripción en la instrucción cuando instala esta aire acondicionado.

ADVERTENCIA

No bajo ninguna circunstancia corte o remueva la tercera púa (tierra) del cable de alimentación.

No cambie el enchufe del cable de alimentación del aparato de aire acondicionado.

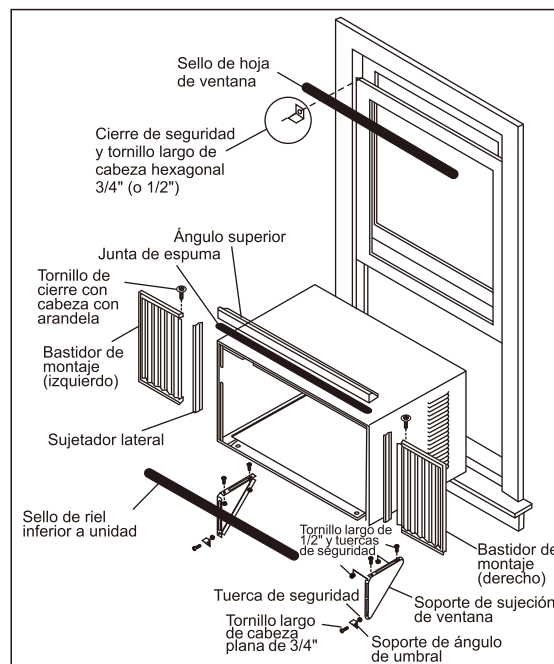
Cableado doméstico de aluminio podría presentar problemas especiales consultar a electrician calificado.

Al manipular la unidad, tenga cuidado de evitar cortes de bordes metálicos afilados y aletas de aluminio en las bobinas frontal y posterior.

NOTA:

Guardar cartón y estas instrucciones de instalación para referencia futura. La caja de cartón es la mejor manera de almacenar la unidad durante el invierno, o cuando no esté en uso.

Instrucciones preliminares

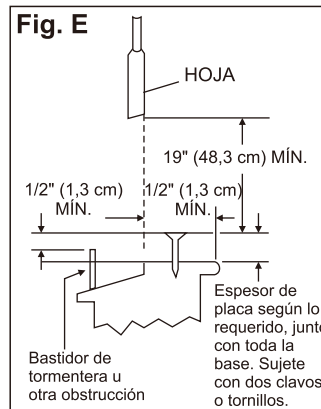
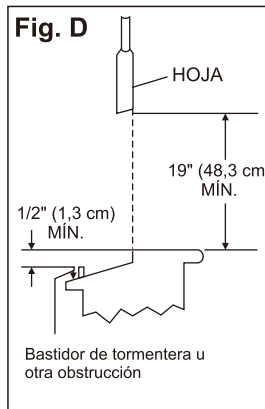


Haga lo siguiente antes de instalar la unidad.

Vea las siguientes ilustraciones.

Revise las dimensiones de la unidad para determinar el tipo de modelo:

Altura de la unidad:	18 5/8" (47,3 cm)	17 5/8" (44,8 cm)
Ancho de la unidad:	26 1/2" (67,3 cm)	23 5/8" (60 cm)
Apertura mín. de la ventana:	19 1/2" (49,5 cm)	18 1/2" (47 cm)
Ancho mín. de la ventana:	31" (78,8 cm)	28" (71,1 cm)
Ancho máx. de la ventana:	42" (106,7 cm)	40 1/2" (102,9 cm)







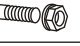

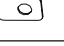








- Revise el tamaño de la apertura de la ventana:** las piezas de montaje proporcionadas con este acondicionador de aire sirven para instalarlo en una ventana de guillotina doble con umbral de madera. Las piezas estándares son para las dimensiones de ventana detalladas anteriormente. Abra la hoja a un mínimo de 19 pulgadas (483 mm). Consulte la Fig. D.
- Revise el estado de la ventana:** todas las partes de la ventana deben estar en buen estado y para soportar firmemente los tornillos necesarios. Caso contrario, realice reparaciones antes de instalar la unidad.

INSTRUCCIONES DE INSTALACIÓN

Instrucciones preliminares

- Revise sus tormenteras:** si su bastidor de tormentera no tiene el espacio necesario, corrija agregando una madera como se muestra en la Fig. E o quite la tormentera al instalar el acondicionador de aire.
- Revise que nada bloquee el flujo de aire:** revise que no haya cosas como arbustos, árboles o toldos en la parte exterior de la ventana. En el interior, asegúrese de que no haya muebles, cortinas ni persianas que interrumpen el flujo de aire adecuado.
- Revise el servicio eléctrico disponible:** la fuente de alimentación debe ser la misma que la que se muestra en la placa de serie de la unidad. El cable de alimentación tiene 48" (1,21 m) de largo. Asegúrese de que haya un enchufe cerca.
- Desempaque el acondicionador de aire con cuidado:** quite todo material de empaque. Proteja el piso o la alfombra de daños. Se recomienda que dos personas muevan e instalen la unidad.

Accesorio (incluido con la unidad)

	Tornillo de bloqueo de 7/16 pulgadas y arandela plana para paneles de ventanas	2 cada uno
	Tornillo de cabeza hexagonal largo de 3/4 (o 1/2) de pulgada	7
	Cerradura de seguridad	1
	Tornillo largo de 1/2 pulgada y contratuerca	4 each
	Perno largo de cabeza plana de 3/4 de pulgada y contratuerca	2 each
	Soporte de ángulo del alféizar	2
	Bloqueo de marco (Para ventanas de madera) (En algunos modelos)	2
	Tornillo de cabeza largo de 3/4 (o 1/2) de pulgada (En algunos modelos)	2
	Tornillo largo de bloqueo de cabeza hexagonal para el ángulo superior, retenedor lateral de 5/16" de largo	10
	Relleno de espuma	2
	Espuma de sello de la guillotina de la ventana	1
	Cerradura de seguridad (Para Ventanas con revestimiento de vinilo)	2
	Tornillo de bloqueo # 10X 1/4 cabeza redonda Phillips Tornillo (Para Ventanas con revestimiento de vinilo.)	2
	Hardware R1	2
	Burlete (10" x 3/4" x 1-1/12")	5

▲ **NOTA:** El hardware R1 y el burlete son solo para modelos Energy Star.

Herramientas necesarias

Un destornillador plano grande, cinta métrica, llave inglesa o pinzas, lápiz, llaves fijas, destornillador Philips

A. Montaje en ventana

1 Retirar chasis

- Baje la parrilla delantera y retire el filtro. (Consulte la Fig. 1).
- Levante la parrilla delantera y colóquela a un costado.
- Busque los cuatro tornillos delanteros y retírelos. Estos tornillos serán necesarios para volver a colocar el panel delantero (consulte la Fig. 2).

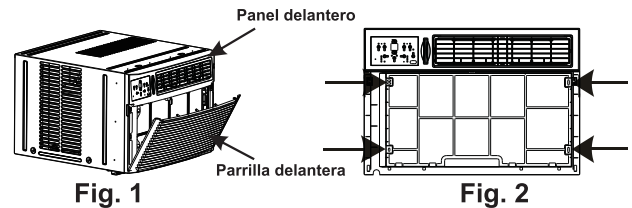


Fig. 1

Fig. 2

- Presione el lado metálico del gabinete para liberar las lengüetas plásticas de cada lado del panel delantero (consulte la Fig. 3).
- Levante con cuidado el panel delantero de la unidad (consulte la Fig. 3A).
- Desconecte el enchufe del visor de la unidad y coloque el panel delantero a un costado (consulte la Fig. 4).

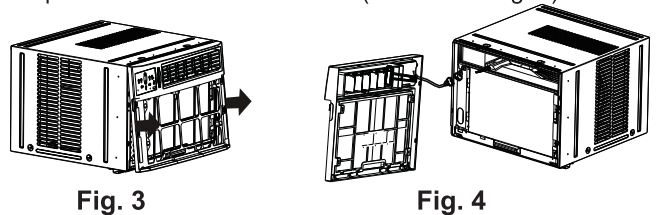


Fig. 3

Fig. 4

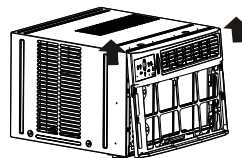


Fig. 3A

- Quite los tornillos de envío de la parte superior de la unidad y los de los lados si tuviera (consulte la Fig. 5).
- Sostenga con cuidado el gabinete al tirar de la manija de la base para retirar la unidad.
- Agregue dos insertos de espuma en los orificios superiores del gabinete donde se quitaron los tornillos de envío (consulte la Fig. 6).

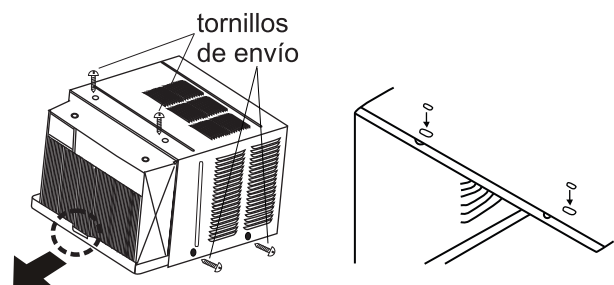


Fig. 5

Fig. 6

INSTRUCCIONES DE INSTALACIÓN

10. Su unidad puede venir con empaque interno. Este empaque debe retirarse antes de instalar el acondicionador de aire en el gabinete. (Consulte la Fig. 7).

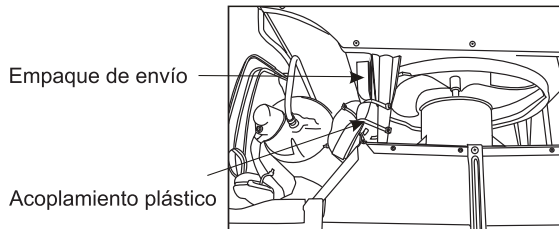


Fig. 7

2 Instalar ángulo superior y soporte lateral

1. Coloque la junta de espuma en el ángulo superior sobre los orificios como se muestra en la Fig. 6.
2. Instale el ángulo superior y los sujetadores laterales en el gabinete como se muestra en la Fig. 8 (10 tornillos).

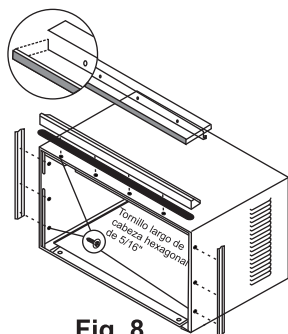


Fig. 8

3 Montar paneles de relleno de ventana

1. Coloque el gabinete en el piso, en un banco o una mesa.
2. Deslice la sección "I" del panel de relleno de ventana en el sujetador lateral en el costado del gabinete (consulte la Fig. 9 y Fig. 10). Haga esto en ambos lados.

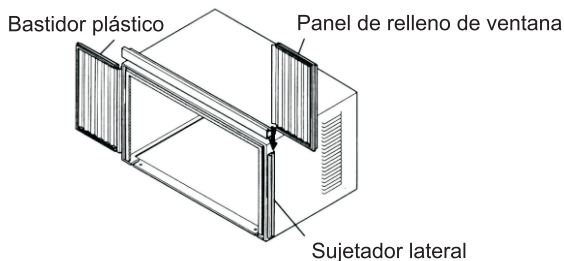


Fig. 9

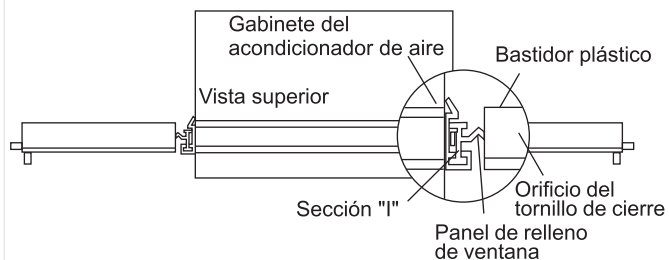


Fig. 10

3. Inserte las patas superior e inferior del bastidor de panel de relleno de ventana en el canal del ángulo superior y el riel inferior. Haga esto en ambos lados.
4. Inserte los tornillos de cierre de 7/16" con cabeza con arandela (2) en los orificios de la pata superior del bastidor de panel de relleno (consulte el paso 6). No ajuste por completo. Permita que la pata se deslice libre. Los tornillos se ajustarán después de la sección 6.

4 Colocar gabinete

1. Abra la ventana y marque el centro de la base según se muestra (Fig. 11).
2. Coloque el gabinete en la ventana con el ángulo de base inferior bien apoyado según se muestra. Baje la ventana temporalmente detrás del ángulo superior para sostener al gabinete fijo (Fig. 12).

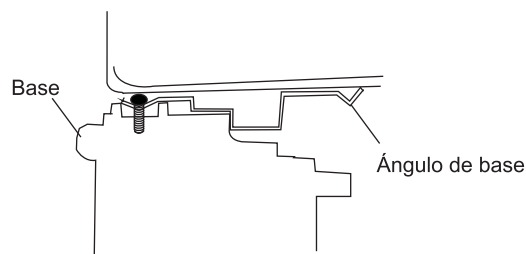
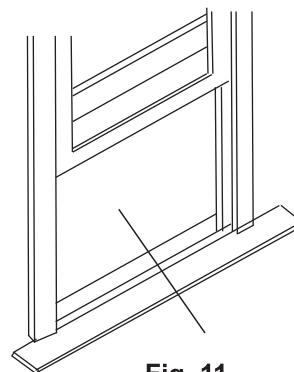


Fig. 12

3. Mueva el gabinete a derecha o izquierda según sea necesario para centrar el gabinete con la línea central marcada en la base.
4. Sujete el gabinete a la base de la ventana con 2 tornillos (puede marcar los orificios guía previamente).
5. Coloque el sello de riel inferior con tornillos en la base de la ventana.

INSTRUCCIONES DE INSTALACIÓN

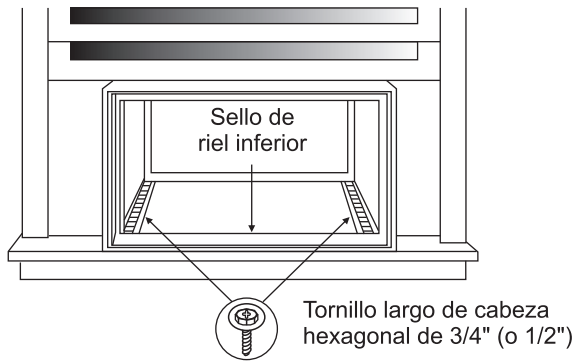


Fig. 13

5 Instalar soporte de sujeción

1. Sujete cada soporte de sujeción nivelado con la parte exterior del umbral y ajuste la parte inferior del gabinete como se muestra en la Fig. 15A. Marque los soportes en la parte superior del umbral y retírelos.
2. Monte el soporte de ángulo de umbral para sujetar los soportes en la posición marcada (Fig. 15B). Ajuste a mano para permitir cambios posteriores.

NOTA: Revise que el acondicionador de aire esté inclinado hacia atrás $1\frac{1}{4}$ " (3,2 cm) a $1\frac{5}{8}$ " (4,1 cm), inclinado unos 3° a 4° hacia abajo y afuera). Después de la instalación correcta, si la condensación no drena por el orificio de drenaje de derrame en el uso normal, corrija la inclinación (Fig. 14).

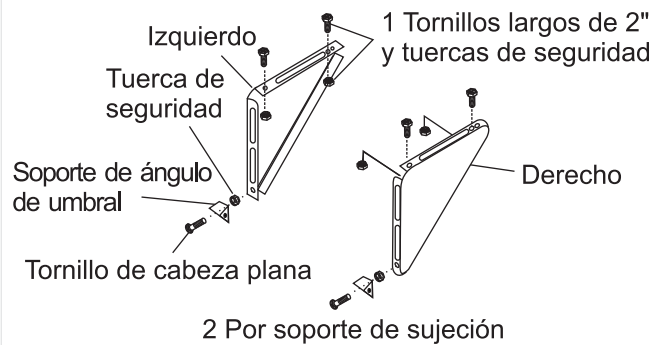
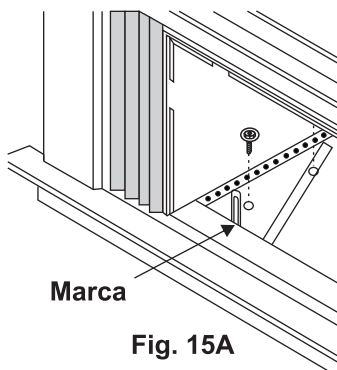
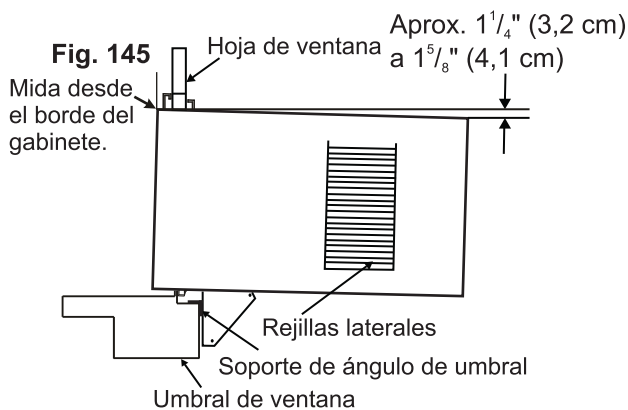
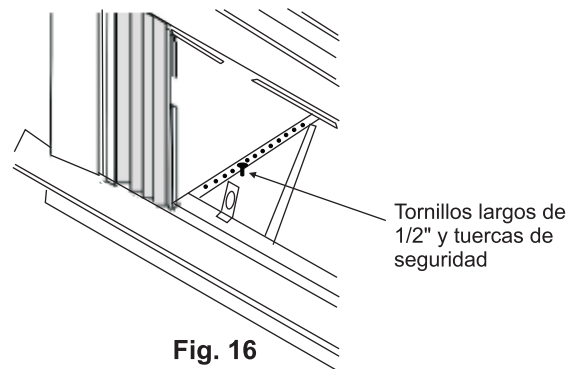


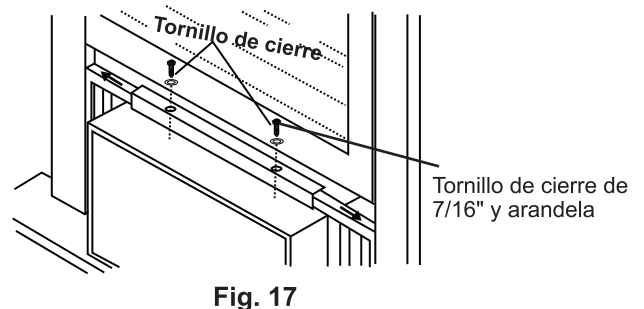
Fig. 15B

3. Instale los soportes de sujeción (con soportes de ángulo de umbral colocados) en el orificio correcto en la parte inferior del gabinete como se muestra en la Fig. 16.
4. Ajuste los 6 tornillos firmemente.



6 Extender paneles de relleno de ventana

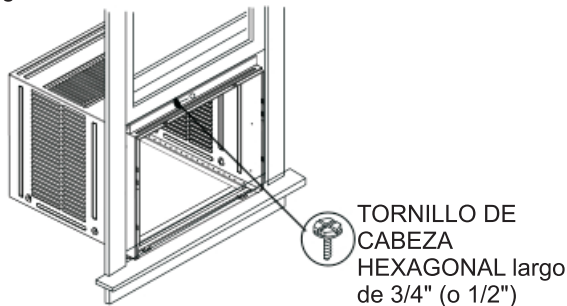
1. Levante la ventana con cuidado para exponer los tornillos de cierre del panel de relleno. Afloje los tornillos para que los paneles de relleno se deslicen fácilmente.
2. Extienda los paneles para llenar la apertura de la ventana por completo. Ajuste los tornillos de cierre en la parte superior (Fig. 17).
3. Cierre la ventana detrás del ángulo superior.



INSTRUCCIONES DE INSTALACIÓN

4. Coloque el ángulo superior en el bastidor de ventana: Utilice un taladro de 3/32" para perforar un orificio guía en el medio del ángulo superior en el bastidor de ventana, y coloque un tornillo de cierre de CABEZA HEXAGONAL de 3/4" (o 1/2") en el orificio del medio del ángulo superior y en el bastidor de ventana como se muestra (Fig. 17A).

Fig. 17A



7 Colocar paneles de relleno de ventana en bastidor de ventana

1. Extienda los paneles de relleno de ventana contra el bastidor de la ventana.
2. Utilice un taladro de 1/8" para perforar un orificio guía en el orificio de la pata superior de cada panel de relleno de ventana y en la hoja de ventana (Fig. 18A y Fig. 18B). Conecte con un tornillo largo de cabeza hexagonal de 3/4" (o 1/2").

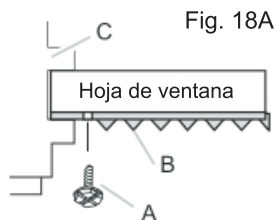


Fig. 18A

- A. Tornillo largo de cabeza hexagonal de 3/4" (o 1/2")
B. Pata superior izquierda del panel de relleno de ventana
C. Canal de ventana

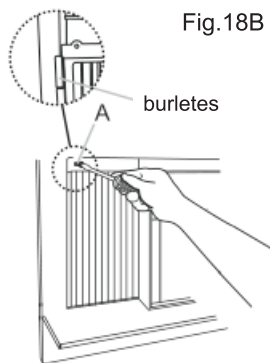


Fig. 18B

- A. Tornillo largo de cabeza hexagonal de 3/4" (o 1/2")

8 Instalar sello de hoja de ventana y cierre de seguridad

1. Corte el sello de hoja para encajar con el ancho de ventana. Inserte en el espacio entre las hojas superiores e inferiores (Fig. 18).



Fig. 18

2. Coloque el cierre de seguridad en ángulo recto (Fig. 19).

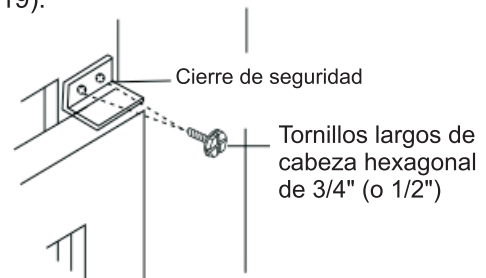


Fig. 19

9 Instalar chasis en gabinete e instalar parte delantera en unidad

1. Levante el acondicionador de aire y deslícelo con cuidado en el gabinete dejando que sobresalga 6" (15 cm).
2. NO presione los controles ni las bobinas con aletas.
3. Asegúrese de que el chasis esté bien apoyado en la parte posterior del gabinete.
4. La instalación de la parte delantera es opuesta a la extracción detallada en la Sección I.

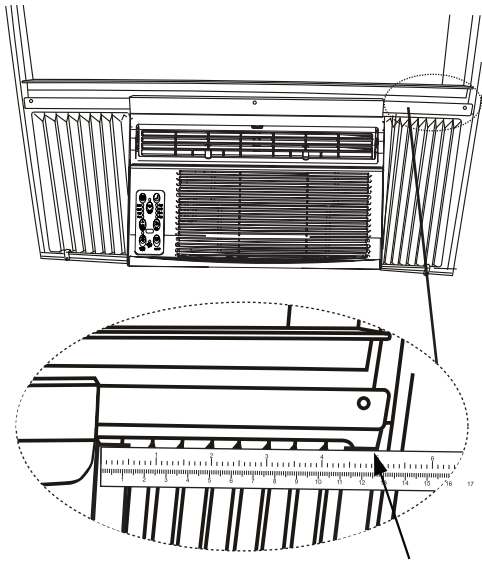
10 INSTALAR ACCESORIO R1 (solo se aplica a modelos Energy Star)

Para minimizar las filtraciones de aire y garantizar el aislamiento óptimo, es necesario instalar el accesorio R1 incluido en la cortina lateral. Siga las instrucciones a continuación.

Paso 1. Después de instalar la unidad en la ventana, mida el ancho interno de la cortina lateral como se muestra (Fig. 20).

Paso 2. Remarque una línea en el panel de aislamiento R1 según un largo de 1/8" (3 mm) menor que el ancho medido en el paso 1, luego corte el panel de aislamiento R1 por la línea (Fig. 12).

INSTRUCCIONES DE INSTALACIÓN



Medida del ancho interno de la cortina lateral

Fig. 20

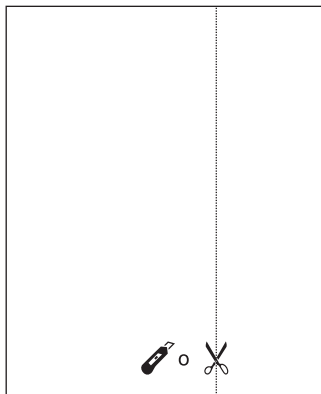


Fig. 21

Paso 3. Deslice el panel de aislamiento R1 en la cortina lateral, el lado con forma debe ir hacia adentro (Fig. 22).

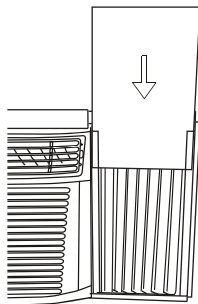


Fig. 22

Paso 4. Repita en el otro lado.

11 INSTALAR BURLETE (solo se aplica a modelos Energy Star)

Para minimizar las filtraciones de aire entre el acondicionador de aire y la apertura de la ventana, recorte el burlete con la longitud correcta, quite la parte trasera y tape huecos si es necesario (Fig. 23).

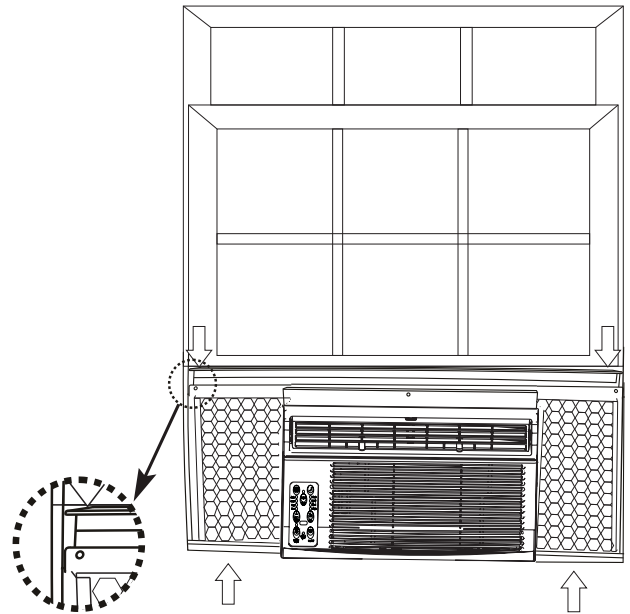


Fig. 23

INSTRUCCIONES DE INSTALACIÓN

B. Instalación a través de la pared

NOTA: Consulte los reglamentos de construcción o a un carpintero calificado antes de la instalación.

1 Seleccionar pared de instalación

El acondicionador de aire tiene un chasis deslizable para poder instalarlo en una pared exterior según se especifica a continuación:

Espesor máx. de pared: 10" (25,4 cm) o 12" (30,5 cm)

IMPORTANTE: Las rejillas laterales no se deben bloquear nunca.

NOTA: Se incluyen todas las piezas necesarias para la instalación a través de la pared, excepto el bastidor de madera, calces y 10 tornillos para madera (10 de 1" [2,5 cm] de largo como mínimo). Seleccione una superficie de pared que cumpla con lo siguiente:

1. No debe soportar cargas estructurales importantes, como la estructura de armazón en extremos de ventanas ni puntos debajo de vigas, etc.
2. No debe haber caños ni cables dentro.
3. Debe estar cerca de enchufes eléctricos o donde se puedan instalar.
4. Debe estar de frente y no bloqueando el área a refrigerar.
5. Debe permitir que fluya el aire sin obstáculos en la parte posterior y trasera (exterior) del acondicionador de aire instalado.

2 Preparar pared

1. Prepare la pared de estructura de armazón (con ladrillo y chapa de estuco). desde adentro de la habitación, busque el entramado más cercano al área donde se instalará el acondicionador de aire (golpeando la pared o buscando clavos magnéticamente).
2. Corte o haga un orificio a cada lado del entramado del medio.
3. Mida con los bordes internos de los entramados como se muestra en la Fig. 1.

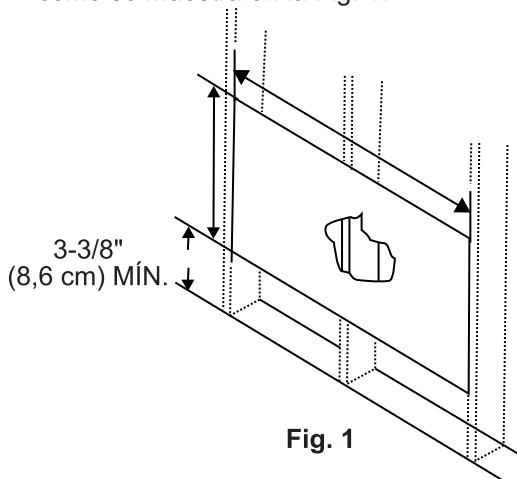


Fig. 1

Mida y corte una apertura con cuidado siguiendo las dimensiones según el modelo. Consulte la Fig. 1 y Fig. 2. ANCHO "X" = ancho de modelo interior más el doble del espesor del material de bastidor usado.

ALTO "Y" = alto de modelo interior más el doble del espesor del material de bastidor usado.

Alto de bastidor interior 18-7/8" (47,9 cm) o 18" (45,7 cm)
Ancho de bastidor interior: 26-3/4" (67,9 cm) o 23-7/8" (60,6 cm)

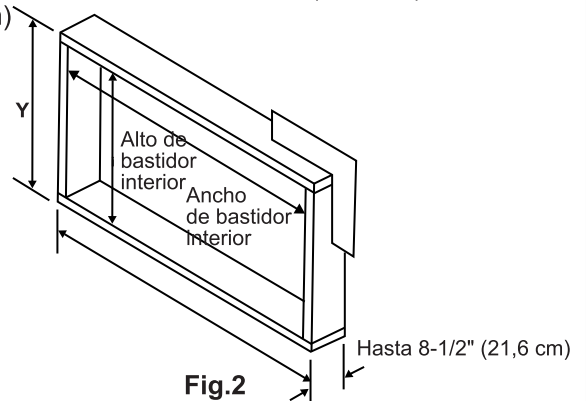


Fig. 2

4. Arme un bastidor de madera DENTRO de las dimensiones del modelo detallado arriba. (Recuerde medir dos veces). La profundidad del bastidor debe ser la misma que el espesor de la pared. Rellene el espacio de la apertura a los entramados con espaciadores de madera, según se muestra.
5. Clave el bastidor a los espaciadores nivelados con la parte delantera del panel de yeso.

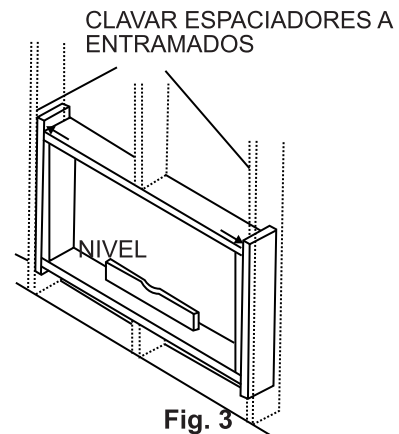


Fig. 3

NOTA: Si el espesor de la pared es de 8-1/2" (21,6 cm) o más, agregue babetas de aluminio sobre la parte inferior de la apertura del bastidor para asegurarse de que no entre agua entre la pared interior y exterior.

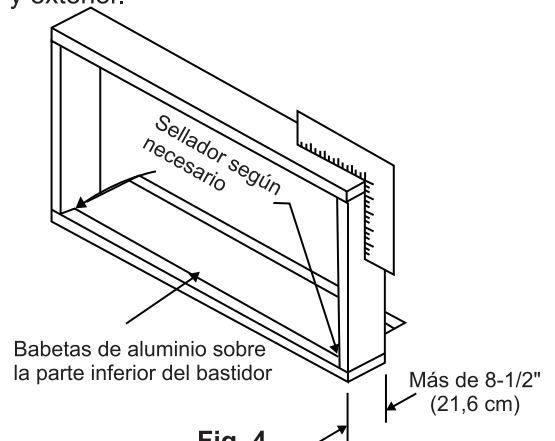


Fig. 4

INSTRUCCIONES DE INSTALACIÓN

3 Preparar e instalar gabinete

1. Deslice el chasis del gabinete. Consulte el paso uno de Montaje en ventana.
2. Coloque el gabinete en la apertura con el riel inferior apoyado sobre la placa inferior del bastidor de madera.
3. Coloque el gabinete de manera correcta con la inclinación para extracción de agua. (Consulte la Fig. 5).
4. Asegure el riel inferior al bastidor de madera con dos tornillos largos para madera de 1" (2,5 cm) en los dos orificios en la parte inferior del canal sobre el bastidor. (Consulte la Fig. 6).

NOTA: Revise que el acondicionador de aire esté inclinado hacia atrás $1\frac{1}{4}$ " (3,2 cm) a $1\frac{5}{8}$ " (4,1 cm), inclinado unos 3° a 4° hacia abajo y afuera). Después de la instalación correcta, si la condensación no drena por el orificio de drenaje de derrame en el uso normal, corrija la inclinación (Fig. 14).

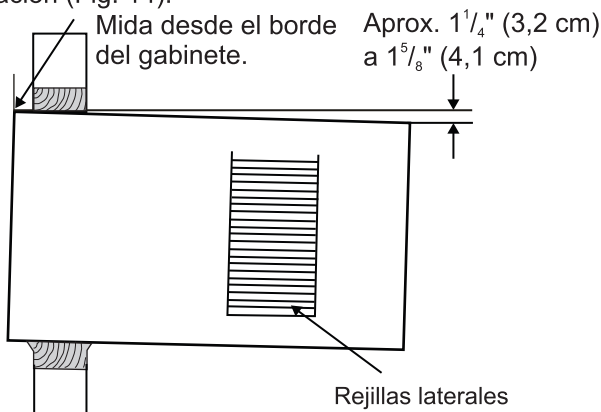


Fig. 5

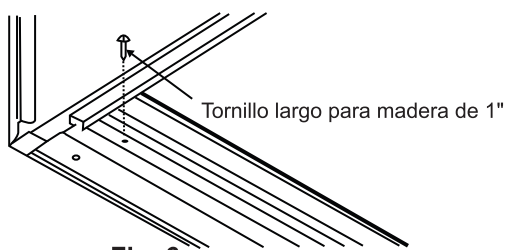


Fig. 6

Consulte el Paso 5 de Montaje en ventana para montar los soportes de sujeción. Debe usarse un listón de madera clavado en la pared exterior junto con soportes de sujeción de ángulo de umbral.

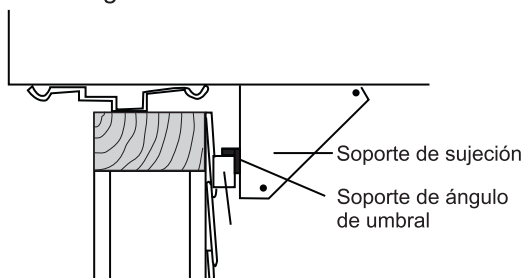
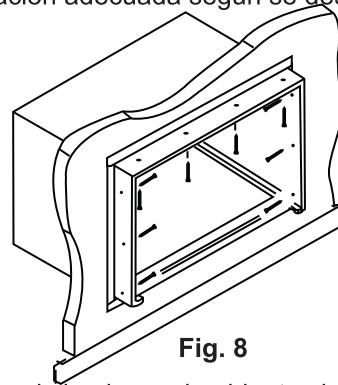


Fig. 7

5. Atornille o clave el bastidor de madera del gabinete con calces si el bastidor es más grande para eliminar distorsión. Consulte la Fig. 8. Recuerde mantener la inclinación adecuada según se describe en el Paso 3.



6. Instale el chasis en el gabinete siguiendo todos los pasos del Paso 8 de Montaje en ventana.

OPCIONAL: Se pueden sellar o instalar molduras en la pared interior. Puede comprar madera en su local o ferretería. En la parte exterior, selle las aperturas en las partes superior y laterales del gabinete y en todos los lados de la madera de la apertura.

NOTA: Consulte el Paso 5, Elemento 3 de las instrucciones de montaje en ventana para la ubicación del sello de riel inferior.

C. Construcción de mampostería

1. Corte o arme una apertura en la pared de mampostería similar a la construcción del bastidor (consulte el Paso 2 de la instalación a través de la pared para un espesor de pared superior a $8\frac{1}{2}$ ").
2. Asegure el gabinete con clavos para mampostería o con los tornillos de anclaje de mampostería adecuados. (Otra forma de hacer esto es armar un bastidor intermedio de 2x4 como se muestra en las ilustraciones del Paso 2 Preparar pared, pero hacerle un bastidor doble en cada lado e instalar entre la apertura de la pared de mampostería y el gabinete. El bastidor debe anclarse de forma segura a la apertura de la pared de mampostería). Esto permite tener buen espacio para las rejillas a cada lado del gabinete.
3. Instale un dintel para sostener la pared de mampostería sobre el gabinete. Pueden usarse los orificios existentes del gabinete o pueden perforarse nuevos para sujetar el gabinete en distintas posiciones. Asegúrese de que el espacio de la rejillas laterales cumplan con el Paso 1 anterior.
4. Instale soportes de sujeción del gabinete exterior como se muestre en el Paso 2 de la instalación a través de la pared. Selle o coloque babetas según sea necesario para generar un sello impermeable en las partes superior y lateral del gabinete.
5. Para completar la instalación, aplique molduras de madera en las proyecciones laterales del gabinete.

NORMALES SONIDOS

Sonido de ráfagas de aire

En la parte delantera de la unidad, es posible que escuches el sonido de ráfagas de aire

Gurgle / silbido

"Gorgoteo o siseo" puede ser oído debido a refrigerante que pasa a través del evaporador durante el funcionamiento normal.

Traqueteo agudo

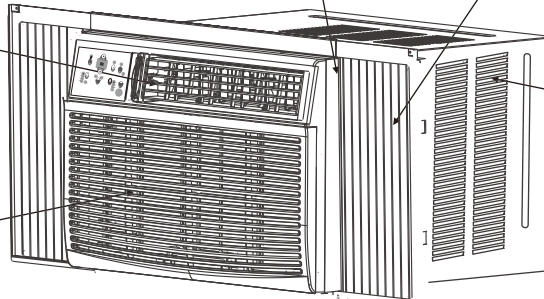
Alta eficiencia del compresor y tiene un traqueteo agudo durante el ciclo de funcionamiento.

vibración

La unidad puede vibrar y hacer ruido debido a la mala pared o ventana construcción o instalación incorrecta

Hacer ping o conmutación

Las gotas de agua que caen sobre el condensador durante el funcionamiento normal puede causar ping o cambiar los sonidos.



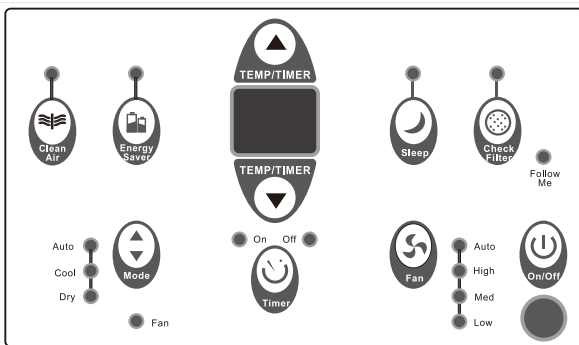
NOTA:

Todas las ilustraciones de este manual son para fines de explicación solamente. Su aire acondicionado puede ser ligeramente diferente. La forma real prevalecerá.

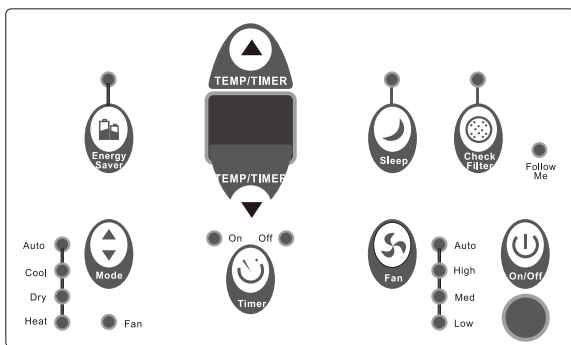
CARACTERÍSTICAS DE AIRE ACONDICIONADO

INSTRUCCIONES DE OPERACIÓN DE CONTROL ELECTRÓNICO

Antes de empezar, debe familiarizarse completamente con el panel de control como se muestra a continuación y todas sus funciones, a continuación, siga el símbolo de las funciones que usted desea. La unidad puede ser controlada por la unidad de control solo o con el mando a distancia.



(Cooling Only Models)



(Modelos sólo fríos)

PARA ENCENDER UNIDAD ON OR OFF:

Presar ON/OFF botón para encender la unidad de encendido o apagado.

NOTA: La unidad iniciará automáticamente la función de ahorro de energía bajo fresco, seco y Auto (sólo automático Refrigeración y Auto-Fan) modos.


Para cambiar Instalación de temperatura:

Presar / UP/DOWN button para cambiar Instalación de temperatura.


NOTA: Pulse o mantenga presionado el botón ARRIBA () o ABAJO () hasta que la temperatura deseada se ve en la pantalla. Esta temperatura se mantiene de forma automática en cualquier lugar entre 62°F(17°C) y 86°F(30°C). Si desea que la pantalla para leer la temperatura actual, consulte Para operar en la sección Sólo Fan.

CARACTERÍSTICAS DE AIRE ACONDICIONADO


PARA AJUSTAR VELOCIDAD DE FAN:

Pulse  para seleccionar la velocidad del ventilador en cuatro copas-Auto, Bajo, Medio o Alto. Cada vez que se pulsa el botón, el modo de velocidad del ventilador es shifted. For algunos modelos, la velocidad del ventilador no se puede ajustar en el modo CALOR. En el modo seco, la velocidad del ventilador se controla a baja automáticamente.


RASGO DE DESCANSO:

Pulse el botón  descanso para iniciar el modo de reposo. En este modo la temperatura seleccionada aumentará (enfriamiento) o disminuir (calefacción) por 2°F/1(or 2)°C 30 minutos después de que el modo está seleccionado. La temperatura entonces aumentará (enfriamiento) o disminuir (calefacción) por otro 2°F/1(or 2)°C después de un período adicional de 30 minutos. Esta nueva temperatura se mantuvo durante 6 horas antes de que vuelva a la temperatura seleccionada originalmente. Esto termina el modo de sueño y la unidad seguirá funcionando según lo programado originalmente. El programa de modo de reposo se puede cancelar en cualquier momento durante la operación pulsando de nuevo el botón de reposo.

RASGO DE FILTRO DE CHEQUE:

Presione  botón Comprobar filtro para iniciar esta función. Esta función es un recordatorio para limpiar el filtro de aire para un funcionamiento más eficiente. El LED (luz) se iluminará después de 250 horas de funcionamiento. Para reestablecer después de limpiar el filtro, presione el botón Comprobar filtro y la luz se apagará.

RASGO DE AHORRO DE ENERGÍA:

Pulse  el botón de ahorro de energía para iniciar esta función. Esta función está disponible en fresco, seco y AUTO (sólo AUTO-REFRIGERACIÓN Y AUTO-FAN) modelos. El ventilador continuará funcionando durante 3 minutos después de que el compresor se apaga. El entonces ciclos durante 2 minutos a intervalos de 10 minutos hasta que la temperatura ambiente está por encima de la temperatura del sistema, momento en el cual el compresor se vuelve a encender y comienza a refrigerar.


SIGA REPORTAJE:(en algunos modelos)



TEsta función se puede activar desde el mando a distancia controlar SOLAMENTE. El mando a distancia sirve como un termostato de control remoto que permite el preciso control de la temperatura en su ubicación.

Para activar la función Sígueme, apunte el control remoto el control hacia la unidad y pulse el Follow Me botón. La pantalla remota es la temperatura real en su ubicación. El mando a distancia envía esta señal al acondicionador de aire cada intervalo de 3 minutos hasta que pulse el botón Follow Me de nuevo. Si la unidad no recibe la señal e M seguimiento durante cualquier intervalo de 7 minutos, la unidad emitirá un sonido para indicar el modo de Follow Me ha terminado.

PARA SELECCIONAR MODELO DE OPERACIÓN:

Para elegir el modo de funcionamiento, pulse  Modo botón. Cada vez que pulse el botón, se selecciona un modo en una secuencia que va de Auto, Refrescar, Secar, el calor (modelos sólo frío y sin) y ventilador. La luz indicadora lado se ilumina y se mantuvo en una vez que se selecciona el modo.

La unidad iniciará automáticamente la función de ahorro de energía bajo fresco, seco y Auto (sólo automático Refrigeración y Auto-Fan) modos.

Para operar en función Auto:

- Cuando se programa el aire acondicionado en el modo AUTO, se seleccionará automáticamente, calefacción (modelos sólo frío fuera), o sólo ventilador de refrigeración en función de lo que la temperatura seleccionada y la temperatura ambiente.
- El aire acondicionado controla automáticamente la temperatura ambiente alrededor de la temperatura programada por usted.
- En este modo, la velocidad del ventilador no se puede ajustar, se inicia de forma automática a una velocidad de acuerdo con la temperatura ambiente.


Para operar el ventilador Sólo:

- Utilice esta función sólo cuando no se está enfriando, como la circulación de aire ambiente o aire manido del escape (en algunos modelos). (Recuerde abrir el respiradero durante esta función, pero mantenerlo cerrado durante el enfriamiento para la máxima eficiencia de enfriamiento.) Usted puede elegir cualquier velocidad del ventilador que prefiera.
- En esta función, la pantalla mostrará la temperatura ambiente actual, no la temperatura de ajuste como en el modo de refrigeración
- En el modo de sólo ventilador, la temperatura no está ajustado

Para operar en modelo de Secar:

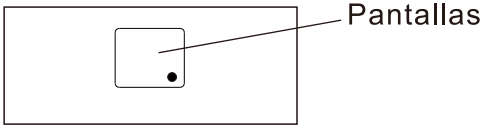
- En este modo, el acondicionador de aire, generalmente, operar en la forma de un deshumidificador. Dado que el espacio acondicionado es un sistema cerrado o sellado están, cierto grado de enfriamiento continuará.

□ TIEMPO: RASGO DE AUTO INICIO/CESO :

- Cuando enciende la unidad, primero presiona el botón reloj,  el indicador TIMER ON luz ilumina. Este indica que el programa de Auto Empezar está iniciado.
- Cuando se muestra el tiempo de temporizador, presione el botón del temporizador de nuevo, el OFF TIMER luz indicadora se ilumina. Se indica que se inició el programa de parada automática..
- Pulse o mantenga pulsado el botón ARRIBA o ABAJO para cambiar el tiempo de Auto por incrementos de 0,5 horas, hasta 10 horas, y luego a intervalos de 1 hora hasta 24 horas. El control de la cuenta regresiva del tiempo restante hasta el inicio.
- El tiempo seleccionado se registrará en 5 segundos, y el sistema volverá automáticamente a mostrar la configuración de la temperatura anterior oa temperatura ambiente cuando la unidad está encendida. (Cuando la unidad está apagada, la pantalla está apagada.)
- Encendido de la unidad o desactivar en cualquier momento o el ajuste de la configuración del temporizador de 0.0, se cancelará la función Auto Start / Stop programa asignado.

CARACTERÍSTICAS DE AIRE ACONDICIONADO

PANTALLSA:



PANTALLAS:

Muestra la temperatura programada en " °C" o " °F" y la instalación. Cuando Auto-temporizador en modo de sólo ventilador, muestra la temperatura de ambiente.

Códigos de error:

AS-sensor de temperatura ambiente de errores

Desenchufe la unidad y vuelva a conectarla in.If error se repite, llame al servicio técnico.

NOTA: En el modo sólo ventilador, se mostrará "LO" o "HI".

- -Sensor de temperatura del evaporador de errores desenchufe la unidad y vuelva a enchufarlo in.If se repite el error, llame al servicio técnico.

NOTA: "•"en la pantalla como se muestra en la imagen de la izquierda.

HS -sensor eléctrico calefacción errores Desenchufe la unidad y conéctelo de nuevo in.If error se repite, llame al servicio técnico.

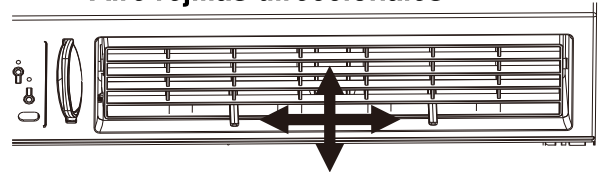
COSAS ADICIONALES QUE DEBES SABER

Ahora que ya domina los procedimientos de operación, aquí tiene más funciones en su control que usted debe estar familiarizado.

- El circuito de frío tiene un tiempo de 3 minutos de inicio automático demorado si la unidad se apaga y se enciende rápidamente. Esto evita el sobrecalentamiento del compresor y el posible interruptor tripping. The ventilador continuará funcionando durante este tiempo.
- El control es capaz de mostrar la temperatura en grados Fahrenheit o grados Celsius. Para pasar de una a otra, mantenga pulsada la Izquierda y Derecha Temporal / botones del temporizador al mismo tiempo durante 3 segundos.

Aire rejillas direccionales

Aire rejillas direccionales



Dirección de aire(4- vía)

centro maneja Air direccional rejillas de control de flujo de aire dirección. Tu acondicionador de aire tiene la 4- vía sistema direccional descrito persianas siguientes. Le permitirá dirigir el flujo de aire hacia arriba o horizontal, y la izquierda o hacia la derecha por toda la habitación como necesita. Use el centro asas para ajustar la dirección de rejillas de lado a lado del aire hasta que la dirección izquierda o derecha deseado es obtained. Pivot persianas horizontales con los dedos hasta que la desea! o dirección horizontal es obtained. Hay una de las 4 posibles orientaciones direccionales de aire disponible con este sistema

NOTAS:

Si la unidad se interrumpe de forma inesperada debido al corte de suministro eléctrico, se reiniciará con la configuración de la función anterior de manera automática cuando se restablece el suministro eléctrico.

Control de ventilación de aire fresco

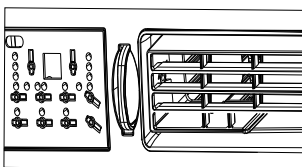


Fig. A (VENTILACIÓN CERRADA)

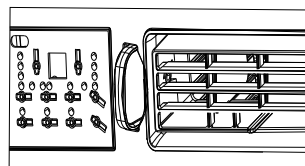


Fig. B (VENTILACIÓN ABIERTA)

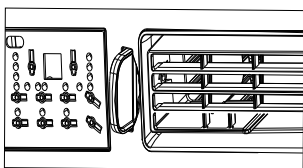


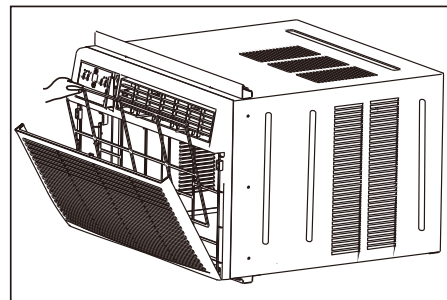
Fig. C (VENTILACIÓN Y ESCAPE ABIERTA)

La ventilación de aire fresco permite el aire acondicionado para

1. Recircular el aire interior- ventilación cerrar(Fig.A)
2. Toma aire fresco en la habitación- ventilación abierta(Fig.B)
3. Intercambia el aire de la habitación y saca aire fresco a la habitación- Ventilación y escape abierta(Fig. C)

CUIDADO Y LIMPIA

Limbia de filtro de aire



El filtro de aire debe ser revisado al menos una vez al mes para ver si es necesario limpiar. Las partículas atrapadas en el filtro pueden acumularse y causar una acumulación de escarcha en los serpentines de enfriamiento.

MANTENIMIENTO Y LIMPIEZA

La Limpieza del Filtro de Aire

- Empuje la palanca de ventilación en la posición de Cerrada Vent (en su caso). Abra el panel frontal.
- Tomar el filtro por el centro y tire hacia arriba y hacia fuera.
- Lave el filtro con un liquid detergente para lavar los platos, en agua caliente. Enjuague el filtro. Suavemente sacuda el exceso de agua del filtro. Asegúrese de que el filtro está seco antes de volver. Si no, en lugar de lavar, podría aspirar el filtro.

Nota: Nunca usar el agua más caliente que 40°C (104°F) a limpiar el filtro de aire. Nunca trata de operar la unidad sin el filtro.

La Limpieza del Gabinete

- Asegúrese de desconectar el AC para protegerlo de descarga eléctrica o incendio. El gabinete y su frontera pueden ser limpiado por un paño libre de aceite o un paño humedecido en agua caliente con liquid detergente para limpiar los platos. Enjuague bien y séquelo.
- Nunca use limpiadores abrasivos, ceras ni pulimento en el frente del gabinete.
- Asegúrese de quitar el agua en el paño antes de limpiar los controles. El exceso de agua dentro o alrededor del control podría causar daños al AC.
- Enchufe el aparato.

Almacenamiento en invierno

Si va a almacenar el aire acondicionado durante el invierno, elimínelo de la ventana con mucho cuidado según las instrucciones de la instalación. Cubralo con plástico o vuelvalo en la caja.

SOLUCIONES DE PROBLEMAS

Antes de llamar al servicio, revisa esta lista. Le podría ahorrar tiempo y molestia. Esta lista incluye las ocurrencias comunes, las cuales no son resultado por un defecto de la hechura o los materiales de la fábrica.

Problema	Solución
El aire acondicionado no funciona	<i>Enchufe de pared desconectado. Presione el enchufe con mucha fuerza en la toma de corriente.</i>
	<i>El fusible domestico estropeado o disyuntor abierto. Reemplace fusible por un retardante o volver a encender el disyuntor.</i>
	<i>Se desconecta el dispositivo de corriente. Presiona el botón RESET.</i>
	<i>Se apague. Enciéndalo.</i>
El aire de la unidad no es tan fría	<i>La temperatura de la habitación está bajo 62°F(17°C). No empieza a enfriar hasta la temperatura llega más que 62°F(17°C).</i>
	<i>Los elementos del sensor de la temperatura detrás del filtro toca la bobina fría. Déjalo lejos de la bobina fría.</i>
	<i>Ajuste a una temperatura más baja.</i>
	<i>El compresor para cuando cambia el modo. Espere 3 minutos después de elegir el modo Frío.</i>
El aire acondicionado enfría, pero la habitación hace calor – forma hielo en la bobina fría detrás el frente decorativo	<i>La temperatura fuera está bajo 64°F(18°C). Para descongelar la bobina de O O, cambie al modo FAN ONLY.</i>
	<i>El filtro de aire podría ser sucio. Limpie el filtro. Consulte la sección del Mantenimiento y Limpieza. Para descongelarlo, cambie al modo FAN ONLY.</i>
	<i>El termostato ha ajustado demasiado frío durante su funcionamiento de la noche. Para descongelarla, cambie al modo FAN ONLY. Después, elige la una temperatura más alta.</i>

SOLUCIONES DE PROBLEMAS

Problema	Solución
El aire acondicionado enfría, pero la habitación hace mucho calor – no forma hielo en la bobina fría detrás el frente decorativo	<i>Un seco filtro de aire- aire limitado. Limpie el filtro. Consulte a la sección del Mantenimiento y limpieza.</i>
	<i>Ha elegido una temperatura tan alta, elija una temperatura baja.</i>
	<i>Ha puesto la rejillas direccionales incorrectamente.. Ponga la rejilla en un lugar con mejor distribución del aire.</i>
	<i>La frontera de la unidad está cubierta con cortinas, persianas, muebles, etc. – distribución de aire limitado. Elimine la obstrucción en la frontera de la unidad.</i>
	<i>Se escape el aire frío por las puertas, ventanas, rejillas, etc. Cierre la puerta, ventana o rejilla.</i>
	<i>La unidad funciona en una habitación caliente recientemente. Perítmalo un plazo de tiempo adicional para eliminar los calores guardados por los paredes, el techo, el suelo o los muebles.</i>
El aire acondicionado se enciende y apaga rápidamente	<i>Un seco filtro de aire- aire limitado. Limpie el filtro.</i>
	<i>La temperatura fuera es demasiado alto. Elige la velocidad del FAN a una opción más alto para traer más aires pasando por la bobina fría.</i>
Hace ruido cuando la unidad enfría	<i>El sonido del movimiento del aire Es normal .Si hace tanto ruido, cambie a una opción de FAN más baja.</i>
	<i>La vibración de la ventana – mala instalación. Consulte las instrucciones de instalación o consulte al instalador.</i>
El agua que gotea INTERIOR cuando unidad está enfriando.	<i>La instalación incorrecta. Inclina acondicionador de aire ligeramente hacia el exterior para permitir el drenaje del agua.Consulte las instrucciones de instalación - consulte con el instalador.</i>
El agua que gotea EXTERIOR cuando unidad está enfriando.	<i>Unidad eliminar gran cantidad de humedad del ambiente húmedo. Esto es normal durante días excesivamente húmedos.</i>
Teledetección desactivación Antes de tiempo (algunos modelos)	<i>El control remoto no encuentra dentro del alcance. Coloque el control remoto dentro de 20 pies & 180°,radio de la parte frontal de la unidad.</i>
	<i>Señal de control remoto obstruido. Retire la obstrucción.</i>
Habitación demasiado fría	<i>Ajuste la temperatura demasiado baja. Aumente la temperatura de la unidad.</i>

GARANTIA DE AIR ACONDICIONADO

Su producto está protegido por esta garantía:

Reparaciones bajo garantía deben ser obtenidos de Centro de Servicios al Consumidor de Midea o con un administrador de Midea.

	PERIODO DE GARANTIA	MIDEA , A TRAVES DE SU CENTRO DE SERVICIO AUTORIZADO, VAA	EL CONSUMIDOR VA A SER RESPONSABLE PARA
GARANTIA COMPLETA DE UNO AÑOS	UNO años a partir de la fecha de compra original	Pago de la totalidad de los costos de reparación o reemplazo de las partes de este dispositivo que se comprueba defectuosos en materiales o mano de obra.	El transporte y los costos de las llamadas de servicio que se encuentra bajo RESPONSABILIDADES DEL CONSUMIDOR NORMALES

Repuestos de Midea se utilizarán y se justifican únicamente por el periodo restante de la garantía original

Responsabilidades de los consumidores NORMALES

Esta garantía se aplica sólo a los productos de uso doméstico ordinario, y el consumidor es el responsable de los temas que figuran a continuación;

1. El uso adecuado del dispositivo, de conformidad con las instrucciones provistas con el producto.
2. Correcta instalación por un profesional de servicio autorizado, de conformidad con las instrucciones provistas con el dispositivo, y de conformidad con todos los plomería local , electricidad y / o códigos de gas.
3. Una buena conexión a tierra a una fuente de alimentación de voltaje suficiente, de sustitución de fusibles quemados, la reparación de los defectos sueltos o las conexiones de cableado en casa.
4. Los gastos para hacer que el dispositivo llegue al centro de la prestación de servicios.
5. Los daños a perfeccionar después de la instalación.

GARANTIA DE AIR ACONDICIONADO

EXCLUSIONES

Esta garantía no incluye los siguientes:

- 1) Fallos causados por el daño a la máquina cuando está de su propiedad (salvo los daños causados por el defecto o mala función), por la instalación no correctas, o por el uso irrazonable de la máquina, incluyendo sin limitación, fracaso de proveer responsabilidad y mantenimiento necesario o de seguir las Instrucciones de Instalación y Operación.
- 2) Daños causados por los servicios realizados por personas salvo los servidores autorizados de Midea, uso de las partes no de Midea
- 3) Si la máquina se usa en el campo comercial, de negocio, renta, o de otros propósitos salvo para el uso del cliente, no ofrecemos la garantía ni expresa ni implícita, incluido pero no limitado, cualquier garantía implícita de comercializable o adaptabilidad para el uso o propósito particular.
- 4) Los productos sin números seriales originales o los que no tiene los números seriales cuales no han sido alterados o no pueden ser reconocido fácilmente.

Nota: En algunos estados no se permite la exclusión o limitación de los daños incidentales o consecuenciales. Por lo tanto, esta limitación o exclusión podría no aplicar para usted.

SI USTED NECESITA SERVICIO

Guarde su recibo de compra, tiquete de reparto, o otros comprobantes apropiados de pago.

La fecha en el recibo estable el período de garantía que se requiere el servicio.

Si el servicio se ha realizado, será su mejor interés de obtener y guardar todos los recibos.

Esta garantía escrita le ofrece los derechos específicos legales.

Usted también puede tener otros derechos que varían entre cada estado.

El servicio bajo esta garantía debe ser obtenido por los pasos siguientes en orden.

1. Contactar a los Servicios a Cliente de Midea o a un servidor autorizado de Midea a 1-866-646-4332.
2. Si se tiene una cuestión como de donde se puede obtener servicio, contacte nuestro Departamento de Relaciones con Clientes.

El diseño y especificación se publican sin previo aviso de las mejoras del producto.
Consulte a la agencia de ventas o el fabricante sobre más informaciones.