

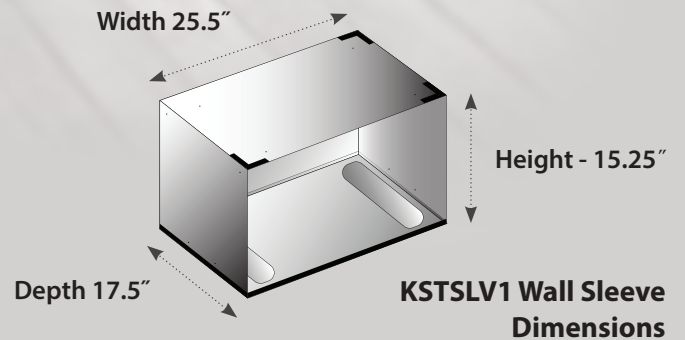


## Through-The-Wall Air Conditioners

### TTW Wall Sleeve (Optional)

Wall sleeves simplify installing an air conditioner in your wall so that you don't have to balance the heavy window unit during installation.

**Wall Sleeve Model: KSTSLV1**



### Standard Features



Sleep Mode



Auto Restart Function



Timer



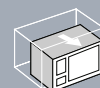
Healthy Filters



Self Evaporative System



Follow Me Remote



Sliding Chassis

### Optional Feature



Auxiliary Electric Heater



## Through-The-Wall Air Conditioners (Cool Only)

Model No.	KSTAT08-1D	KSTAT10-1D	KSTAT10-2D	KSTAT12-1D	KSTAT12-2D	KSTAT14-2D
Power Supply	115V / 60Hz	115V / 60Hz	230V / 60Hz	115V / 60Hz	230V / 60Hz	230V / 60Hz
Cooling Capacity	8,000 BTU/h	10,000 BTU/h	10,000 BTU/h	12,000 BTU/h	12,000 BTU/h	14,000 BTU/h
Heating Pump	-	-	-	-	-	-
Power Input - Cooling	754 W	943 W	943 W	1142 W	1142 W	1515 W
Power Input - Heating	-	-	-	-	-	-
Cooling Amps	7.0 A	8.3 A	4.5 A	10.0 A	5.2 A	6.9 A
EER	10.6	10.6	10.6	10.5	10.5	9.3
Energy Star	No	No	No	No	No	No
Indoor Noise Level dBA	56.8 / 51.8	57.4 / 53.1	58.4 / 54.1	60.5 / 56.5	60.5 / 56.5	61.3
Air Flow Volume - CFM	270	269	275	286	286	296
Cooling Area	350 sq. ft.	450 sq. ft.	450 sq. ft.	550 sq. ft.	550 sq. ft.	700 sq. ft.
Cooling Speeds	3	3	3	3	3	3
Fan Speeds	3	3	3	3	3	3
Net Dimensions (in.) W x D x H	24.2" x 20.3" x 14.5"	24.2" x 20.3" x 14.5"	24.2" x 20.3" x 14.5"	24.2" x 20.3" x 14.5"	24.2" x 20.3" x 14.5"	24.2" x 20.3" x 14.5"
Net Weight	65 lbs.	68 lbs.	69 lbs.	76 lbs.	78 lbs.	79 lbs.
Included Accessories	remote control, 2 AAA batteries, mesh filter	remote control, 2 AAA batteries, mesh filter	remote control, 2 AAA batteries, mesh filter	remote control, 2 AAA batteries, mesh filter	remote control, 2 AAA batteries, mesh filter	remote control, 2 AAA batteries, mesh filter

## Through-The-Wall Air Conditioners (with Heat)

Model No.	KSTAT08-1HD	KSTAT10-2HD	KSTAT12-2HD	KSTAT14-2HD
Power Supply	115V / 60Hz	230V / 60Hz	230V / 60Hz	230V / 60Hz
Cooling Capacity	8,000 BTU/h	10,000 BTU/h	12,000 BTU/h	14,000 BTU/h
Heating Pump	4,200 BTU/h	10,600 BTU/h	10,600 BTU/h	10,600 BTU/h
Power Input - Cooling	825 W	1020 W	1220 W	1515 W
Power Input - Heating	1380 W	3450 W	3450 W	3450 W
Cooling Amps	7.8 A	4.6 A	5.5 A	6.9 A
Heating Amps	12 A	15 A	15 A	15 A
EER	9.6	9.6	9.5	9.3
Energy Star	No	No	No	No
Indoor Noise Level dBA	57	58	61.5	61.5
Air Flow Volume - CFM	288	287	300	300
Cooling Area	350 sq. ft.	450 sq. ft.	550 sq. ft.	700 sq. ft.
Cooling Speeds	3	3	3	3
Fan Speeds	3	3	3	3
Net Dimensions (in.) W x D x H	24.2" x 20.3" x 14.5"	24.2" x 20.3" x 14.5"	24.2" x 20.3" x 14.5"	24.2" x 20.3" x 14.5"
Net Weight	65 lbs.	74 lbs.	78 lbs.	80 lbs.
Included Accessories	remote control, 2 AAA batteries, mesh filter	remote control, 2 AAA batteries, mesh filter	remote control, 2 AAA batteries, mesh filter	remote control, 2 AAA batteries, mesh filter

### Keystone Accessories



Follow Me Remote Control  
(included)



KSTSLV1: Optional Wall Sleeve  
(Sold Separately)