

**Refrigeration Equipment  
Mega Top Table, 48" with 18GN1/6  
containers - Stainless Steel (R290)**

ITEM # \_\_\_\_\_

MODEL # \_\_\_\_\_

NAME # \_\_\_\_\_

SIS # \_\_\_\_\_

AIA # \_\_\_\_\_



**738260 (KCHMT48.18)**

2-door mega top preparation table, 48", R290 refrigerant gas, +33/+41°F, stainless steel

**Short Form Specification**

Item No. \_\_\_\_\_

2-door mega top refrigerated preparation table. Exterior back panel in aluminium, exterior bottom panel in galvanized steel, exterior side and top panel in 430 stainless steel; interior back, top and interior bottom panels in 304 stainless steel, worktop in 430 stainless steel. Built-in refrigeration unit and an insulated lid to maintain food freshness. Fin & Tube Condenser improves performance in high-temperature environments. Automatic Defrost Cooling System to provide worry-free performances.

Full-depth cutting board of 48x9x0,5 in.

Control panel, Vinyl-Coated Steel adjustable shelves, removable door gaskets and self-closing doors with 90-degree stay-open feature.

Temperature range: +33/+41°F.

R290 gas in the refrigeration circuit.

ETL Safety and Sanitation certifications.

3/5 Years warranty.

**Main Features**

- External temperature display.
- CFC and HCFC free, highly ecological refrigerant type: R290 (ecological gas in foam: cyclopentane). Hydrocarbon refrigerant gas R290 for the lowest environmental impact (GWP=3), to reduce green house and ozone depletion effects.
- Removable door gasket for easy cleaning operations.
- Hydrocarbon refrigerant gas R290 for the lowest environmental impact (GWP=3) - CFC and HCFC free.
- Fin & Tube Condenser improves performance in high temperature environments.
- Automatic Defrost Cooling System provides worry-free performance.
- Electronic Temperature Control, quick and simple to set, with control display for easy monitoring.
- Full Depth cutting board.
- High efficiency components to minimize the energy consumption still guaranteeing the highest performances.
- Cabinet and door insulated with high density polyurethane for low environmental impact.
- Heavy duty Vinyl coated steel shelves.

**Construction**

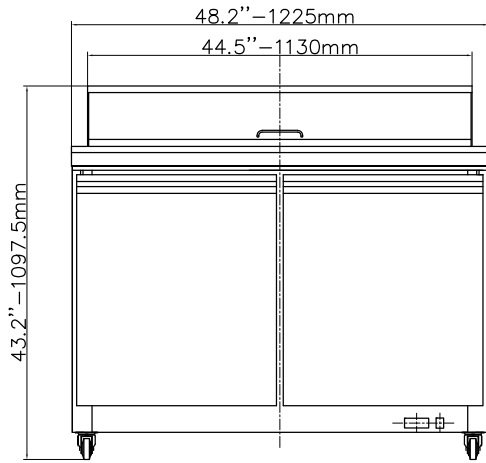
- Self-closing door with 90-degree stay-open feature.
- Heavy duty casters.
- Insulated lid maintains food freshness.
- Holds 18 1/6 pans.
- Pre-wired heavy duty power cord.
- Heavy duty door hinges.
- Magnetic door gasket removable without tools for easy cleaning.

**Optional Accessories**

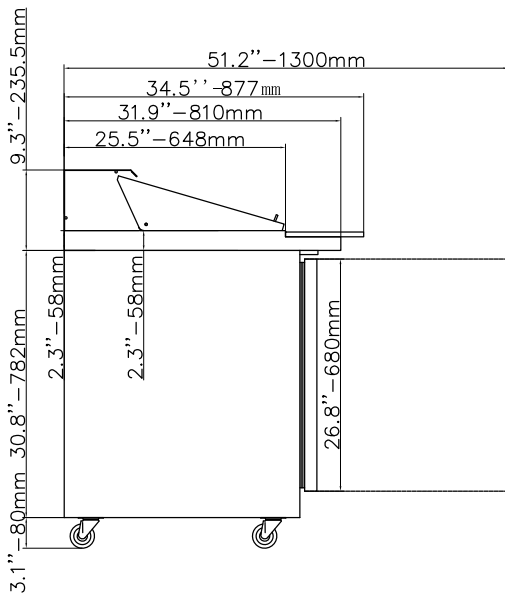
- shelf for 48" and 72" (left/right) mega top, salad and undercounter  PNC 880597
- shelf clips  PNC 880611
- drawers kit for 48" mega top & undercounter  PNC 880616

**APPROVAL:** \_\_\_\_\_

**Front**

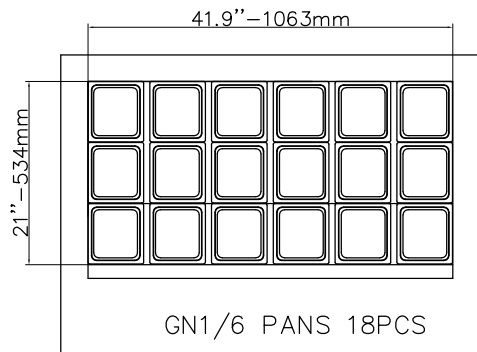


**Side**



**EI** = Electrical connection  
**RI** = Refrigerant Inlet  
**RO** = Refrigerant Outlet

**Top**



## Electric

|                               |                     |                  |
|-------------------------------|---------------------|------------------|
| <b>Supply voltage:</b>        | 738260 (KCHMT48.18) | 115 V/1 ph/60 Hz |
| <b>Electrical power, max:</b> |                     | 0.7 kW           |
| <b>Current consumption:</b>   |                     | 7 Amps           |
| <b>Plug type:</b>             |                     | USA NEMA 5-15P   |

## Capacity:

|                        |            |
|------------------------|------------|
| <b>Gross capacity:</b> | 12 cu.feet |
|------------------------|------------|

## Key Information:

|   |  |
|---|--|
| <b>Door hinges:</b>                         | 1 Left+1 Right                               |
| <b>External dimensions, Width:</b>          | 48 1/4" (1225 mm)                            |
| <b>External dimensions, Depth:</b>          | 34 1/2" (877 mm)                             |
| <b>External dimensions, Height:</b>         | 43 1/4" (1097.5 mm)                          |
| <b>Number and type of doors:</b>            | 2 Full                                       |
| <b>Internal Dimensions (depth):</b>         | 23 13/16"                                    |
| <b>Internal Dimensions (height):</b>        | 23 1/2"                                      |
| <b>Internal Dimensions (width):</b>         | 42 13/16"                                    |
| <b>Shipping height:</b>                     | 47 1/4" (1200 mm)                            |
| <b>Shipping weight:</b>                     | 320 lbs (145 kg)                             |
| <b>Shipping volume:</b>                     | 46.63 ft <sup>3</sup> (1.32 m <sup>3</sup> ) |
| <b>Number and type of grids (included):</b> | 2 - Vinyl-Coated Steel                       |
| <b>Type of external material:</b>           | Stainless Steel                              |
| <b>Type of internal material:</b>           | Polystyrene                                  |
| <b>Warranty:</b>                            | 3 / 5 years                                  |

## Refrigeration Data

|                                    |              |
|------------------------------------|--------------|
| <b>Compressor power:</b>           |              |
| <b>Refrigerant type:</b>           | R290         |
| <b>Refrigerant weight:</b>         | 90 g         |
| <b>Operating temperature min.:</b> | 32 °F        |
| <b>Operating temperature max.:</b> | 41 °F        |
| <b>Condenser type:</b>             | Fin & tube   |
| <b>Defrost type:</b>               | Auto Defrost |