

Refrigeration Equipment Beer Dispenser with 2 doors and 2 beer columns (R290)

ITEM # _____

MODEL # _____

NAME # _____

SIS # _____

AIA # _____



738297 (KCHBBD2D2T)

2-door back bar beer dispenser refrigerator with 2 beer columns, black solid door, 60", R290 refrigerant gas, +33/+41°C

Short Form Specification

Item No. _____

Beer dispenser with 2 doors and 2 columns. Exterior back and bottom panel in galvanized steel, top panel in 304 stainless steel and exterior panel in painted steel; interior back and side panels in 430 stainless steel, interior bottom panel and worktop in 304 stainless steel. Fin & tube condenser to improve the performances in high temperature environments. Automatic Defrost Cooling System and temperature control.

Vinyl heavy duty adjustable, easy to handle and clean shelves.

R290 gas in refrigeration circuit.

ETL Safety and Sanitation certified.

3/5 Years warranty.

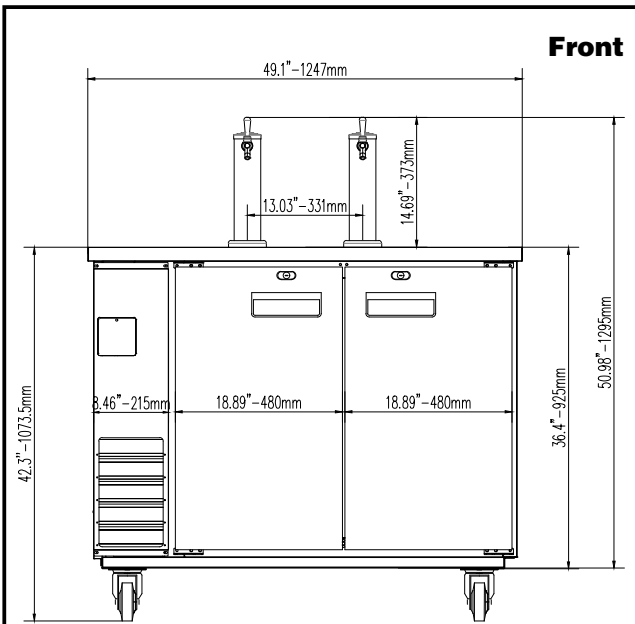
Main Features

- External digital temperature display.
- Hydrocarbon refrigerant gas R290 for the lowest environmental impact (GWP=3) - CFC and HCFC free.
- Fin & Tube Condenser improves performance in high temperature environments.
- Automatic Defrost Cooling System provides worry-free performance.
- Locking doors.
- External temperature display.
- CFC and HCFC free, highly ecological refrigerant type: R290 (ecological gas in foam: cyclopentane). Hydrocarbon refrigerant gas R290 for the lowest environmental impact (GWP=3), to reduce green house and ozone depletion effects.
- High efficiency components to minimize the energy consumption still guaranteeing the highest performances.
- Cabinet and door insulated with high density polyurethane for low environmental impact.

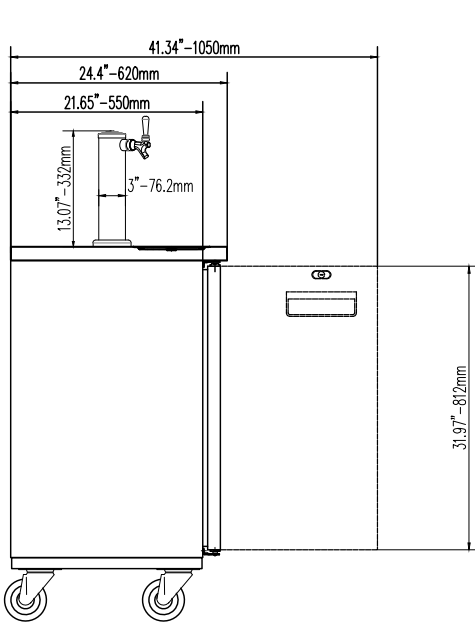
Construction

- Self-closing door with 90-degree stay-open feature.
- Lockable door.
- Pre-wired heavy duty power cord.
- Heavy duty door hinges.
- Magnetic door gasket removable without tools for easy cleaning.
- Heavy duty casters.

APPROVAL: _____

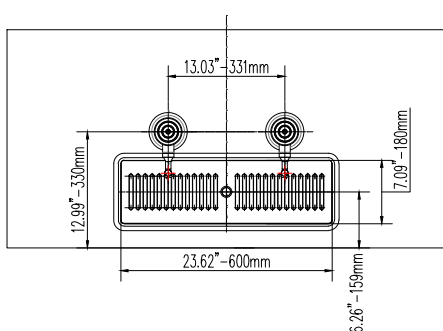


Front



Side

EI = Electrical connection



Top

Electric

Supply voltage:

738297 (KCHBBD2D2T) 115 V/1 ph/60 Hz

Electrical power, max:

0.3 kW

Current consumption:

3 Amps

Plug type:

USA NEMA 5-15P

Capacity:

Gross capacity: 12.5 cu.feet

Key Information:

Door hinges:

External dimensions, Width: 49 1/16" (1247 mm)
External dimensions, Depth: 24 7/16" (620 mm)
External dimensions, Height: 56 15/16" (1446.5 mm)

Number and type of doors:

2 Full

Internal Dimensions (depth):

20 1/16"

Internal Dimensions (height):

29 3/8"

Internal Dimensions (width):

39 3/16"

Shipping height:

44 1/2" (1490 mm)

Shipping weight:

287 lbs (130 kg)

Shipping volume:

43.17 ft³ (1.22 m³)

Number and type of grids (included):

4 - Vinyl-Coated Steel

Type of external material:

Black Prepainted Steel

Type of internal material:

Stainless Steel

Warranty:

3 / 5 years

Refrigeration Data

Compressor Horsepower:

1/5

Refrigerant type:

R290

Refrigerant weight:

110 g

Operating temperature min.:

35.6 °F

Operating temperature max.:

42.8 °F

Condenser type:

Fin & tube