

# INFILED

Screen your dreams



WP  
SERIES

## DIGITAL WALLPAPER SOLUTIONS



WP series is INFILED's flagship fine pixel pitch, ultra-thin, high-resolution digital LED display. The all-in-one design is the perfect solution for any installation requiring ultra-high resolution. With a panel ratio of 16:9 and pixel pitch ranging from 0.9 mm to 3.1 mm, configurations of 2K, 4k, and 8K resolution displays can be easily achieved. With an ultra-thin edge thickness of just 29.5 mm, lightweight modules, and an intuitive slim-line mounting system, the WP series saves space for demanding environments. The WP series features front service modules for efficient hassle-free maintenance, resulting in minimal screen downtime.

Ultra-thin with integrated controller and standard 16:9 aspect ratio. Optional power redundancy. Indoor applications.



High Definition



Thin

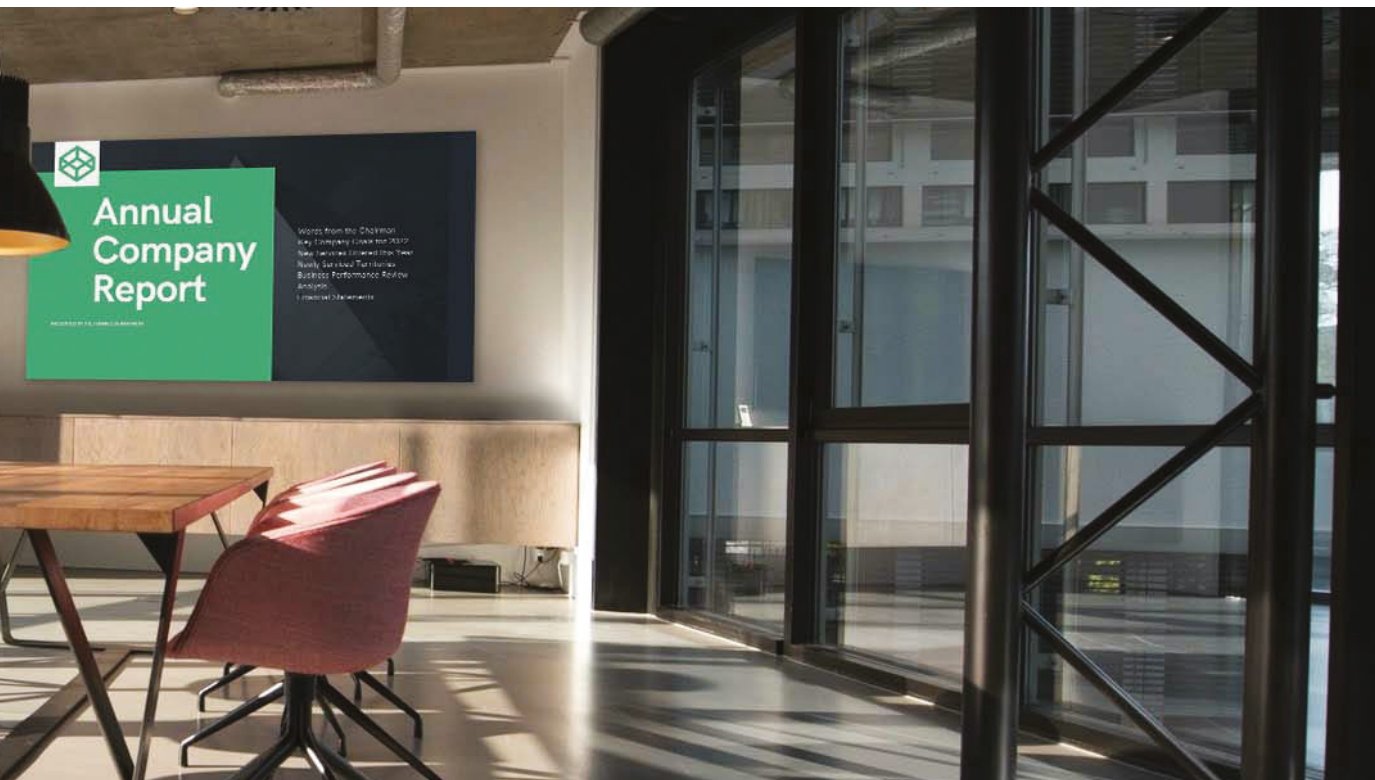


Light Weight



Low Power

Pixel Pitch	0.9, 1.2, 1.5, 1.8, 2.3, 2.5, 3.1mm
Brightness	600 - 1.500nits
Cabinet size (WxHxD)	600x337.5x29.5mm



## SCREEN YOUR SPACES

The WP series provides a new level of flexibility when it comes to using LED screens for corporate, education, and hotel environments, control rooms, broadcast, event centers, indoor advertising, digital signage and many more, offering high-performance visuals for customers, partners and employees.

### Corporate

The WP's fine pixel pitch and ultra-thin design, high image quality and no bezel, makes it an ideal solution for any corporate environment.



### Broadcast

High refresh rate, low latency excellent color depth and great grayscale make it an ideal solution for broadcast and film studios.



### Education

Collaborative environments to carry out presentations, videoconferences and inspiring workshops.

### Hospitality

Fixed or mobile, the WP series can enhance the viewers experience with eye-catching digital content and advanced visual effect.

**INFiLED displays offers high-performance visuals for customers, partners and employees.**



### **Control rooms**

The WP's dynamic control system allows multi-level user management for advanced operations and meets strict EMC Class B certification requirements for command and control centers.

### **Digital signage**

DOOH displays provide interactive advertising for multiple brands, increasing engagement and revenue.

## KEY FEATURES

### High Definition, high visual performance

Cutting-edge technology IMD is applied with fine pixel pitch from 0,9 to 3.1 mm. Excellent black screen with a high contrast ratio. The sophisticated fine-pitch LEDs are more durable and robust.

A panel ratio of 16:9 combined with fine pixel pitch allows the setup of 2K, 4K, and 8K resolution displays.



Full HD 1920×1080

4K 3840×2160

8K 7680×4320

16:9 RATIO

Screen Size			Pixel Pitch					
QTY	Size	Inch	1.25	1.5m4	1.8	2.3	2.5	3.1
3x3	1.8×1.01m	81						
4x4	2.4×1.35m	110	Full HD					
5x5	3×1.68m	135		Full HD				
6x6	3.6×2.02m	163			Full HD			
7x7	4.2×2.36m	190				Full HD (Customized)		
8x8	4.8×2.7m	220	4K				Full HD	
10x10	6×3.37m	270		4K				Full HD
12x12	7.2×4.05m	324			4K			

### Comfortable and silent

Low heat dissipation and zero noise make it ideal for work or education environments.

### Energy saving

The updated generation of WP series, features a 20% lower power consumption, adding to INFILED continuous commitment on sustainability.



## Quick instalation. Multiple options.



### Wall-mounted

Slim-line floating mounting brackets allow quick and easy installation and result in a flat seamless finish.



### Mobile Stand

WP series can also be mounted on a trolley to transform into a high definition mobile digi-board. With safety anti-collision rim, the LEDs can be well protected.



### Creative corner

Corner screen building options for creative applications. The arc customized scheme is optional.



### Optional accesories



Remote Control



Wireless Share



Sound Bar

## KEY FEATURES

### Ultra-thin and Lightweight design



### Compatible with WP Wrap series

The WP series can be combined with WP Wrap series to create a curved solution.





## Easy maintenance

Front service LED modules offer easy maintenance.

The innovative magnetic tool prevents damage to the LEDs during maintenance and allows fast and easy access for both installation and maintenance.



## Built-in Media Player

The WP all-in-one solutions feature an integrated media player to make a complete standalone screen. WP series can use traditional control solutions as well as the newest ones, allowing for comfortable use.

The WP all-in-one offers a plug-and-play solution. Only a domestic plug-in is required to connect the display. Power redundancy is possible for demanding uninterrupted 24x7 operation

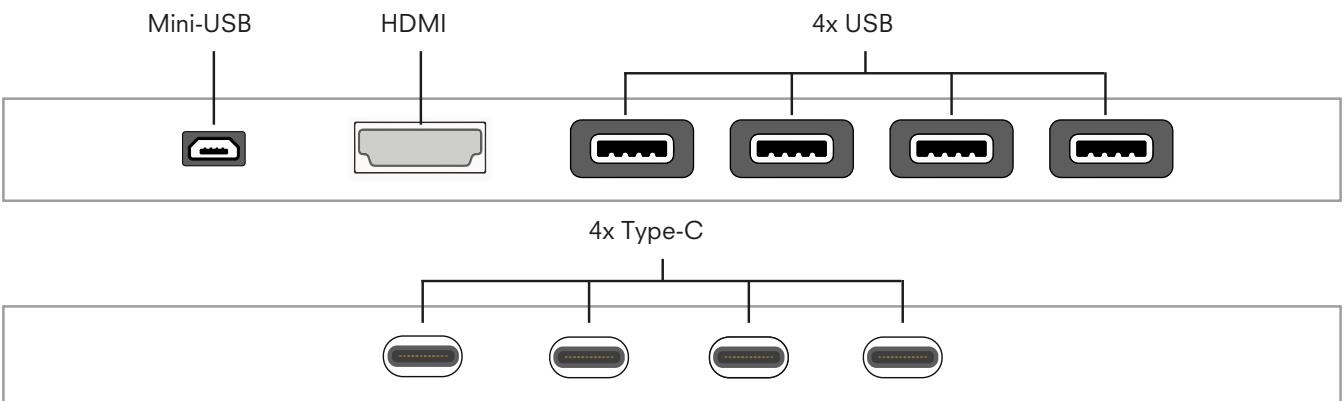


USB

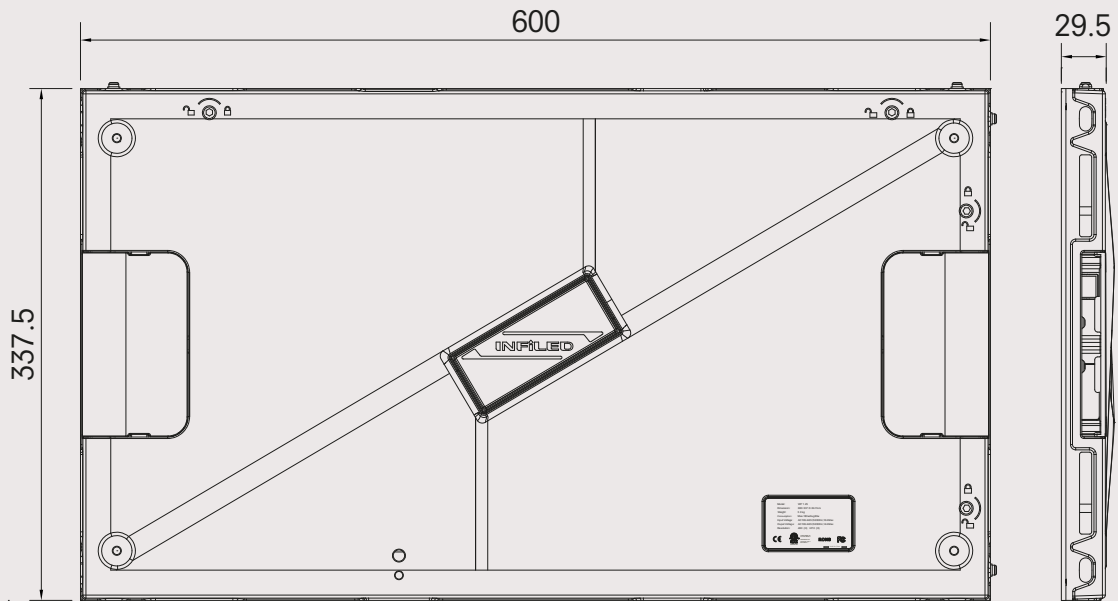


# SPECIFICATIONS

Pixel Pitch	WP1.25	WP1.56	WP1.87	WP2.5
Display size (WxHxD)	2400x1350 x29.5mm (94.5x53.15x11.6in)	3000x1687,5 x29.5mm (118.1x66.45x11.6in)	3600x2025 x29.5mm (141.72x79.74x11.6in)	4800x2700 x29.5mm (188.96x108.32x11.6in)
Display resolution(WxH)	1920x1080			
Display Weight	83,2kg (183.36lb)	130kg (286.5lb)	187.2kg (412.56lb)	332.8kg (733.44lb)
Cabinet Resolution(WxH)	480x270	384x216	320x180	240x135
Cabinet Dimensions(WxHxD)	600x337.5x29.5mm (23.62x13.29x1.16in)			
Configuration (WxH)	4x4	5x5	6x6	8x8
Brightness	700 ~ 800nits	600 ~ 800nits	600 ~ 800nits	1,200 ~ 1,500nits
Max Power Consumption	2880w	4500w	6480w	11520w
Avg. Power Consumption	960w	1500w	2160w	3840w
Viewing Angle	160°/160°			
Operating Power Source	100-240V AC 50-60Hz			
Operating Temperature	-10°C ~+45°C			
Refresh Rate	≤3,840Hz			
IP Rating	IP30			
Signal Input	Composite, S-Video, Component, HDMI, SDI, HD SDI, VGA, DVI			
Verification	CE, ETL, FCC, RoHS			



# SPECIFICATIONS



Model Number	IL-FISS-IRWP0.9m4	IL-FISS-IRWP1.25
Pixel Pitch	0.93mm	1.25mm
Physical Density	1,137,777pixels/m <sup>2</sup>	640,000pixels/m <sup>2</sup>
LED Arrangement	IMD 2X2	3 IN 1 SMD
Module Resolution	320x180pixels	240x135pixels
Module Dimensions	300x168.75mm(11.81x6.64in)	300x168.75mm(11.81x6.64in)
Cabinet Resolution	640x360pixels	480x270pixels
Cabinet Dimensions	600x337.5x29.5mm (23.62x13.29x1.16in)	600x337.5x29.5mm (23.62x13.29x1.16in)
Cabinet Weight	5.24kg(11.55lb)	5.24kg(11.55lb)
Brightness	600nits	800-1000nits
Max Power Consumption	100W/Panel	135w/panel
Avg Power Consumption	33.3W/Panel	45w/panel
Viewing Angle	160°/160°	160°/160°
Operating Power Source	100-240V AC 50-60Hz	100-240V AC 50-60Hz
Operating Temperature	-10°C~+45°C	-10°C~+45°C
Refresh Rate	≤3,840Hz	≤3,840Hz
IP Rating	IP30	IP30
Signal Input Source	DVI, HDMI,DP, SDI,RJ45	DVI, HDMI,DP, SDI,RJ45
Verification	CE, FCC, ETL, CB, RoHS, REACH, WEEE	CE, FCC, ETL, CB, RoHS, REACH, WEEE

The product specifications can be customized

# SPECIFICATIONS

Model Number	IL-FISS-IRWP1.5	IL-FISS-IRWP1.5m4	IL-FISS-IRWP1.8
Pixel Pitch	1.56mm	1.56mm	1.87mm
Physical Density	409,600pixels/m <sup>2</sup>	409,600pixels/m <sup>2</sup>	284,444pixels/m <sup>2</sup>
LED Arrangement	3 IN 1 SMD	IMD 2X2	3 IN 1 SMD
Module Resolution	192×108pixels	192×108pixels	160×90pixels
Module Dimensions	300×168.75mm(11.81×6.64in)	300×168.75mm(11.81×6.64in)	300×168.75mm(11.81×6.64in)
Cabinet Resolution	384×216pixels	384×216pixels	320×180pixels
Cabinet Dimensions	600×337.5×29.5mm (23.62×13.29×1.16in)	600×337.5×29.5mm (23.62×13.29×1.16in)	600×337.5×29.5mm (23.62×13.29×1.16in)
Cabinet Weight	5.2kg(11.46lb)	5.2kg(11.46lb)	5.24kg(11.55lb)
Brightness	800~1000nits	800nits	800~1200nits
Max Power Consumption	150w/panel	180w/panel	150w/panel
Avg Power Consumption	50w/panel	60w/panel	50w/panel
Viewing Angle	160°/160°	160°/160°	160°/160°
Operating Power Source	100-240V AC 50-60Hz	100-240V AC 50-60Hz	100-240V AC 50-60Hz
Operating Temperature	-10°C~+45°C	-10°C~+45°C	-10°C~+45°C
Refresh Rate	≤3,840Hz	≤3,840Hz	≤3,840Hz
IP Rating	IP30	IP30	IP30
Signal Input Source	Composite, S-Video, Component, HDMI, SDI, HD SDI, VGA, DVI	Composite, S-Video, Component, HDMI, SDI, HD SDI, VGA, DVI	Composite, S-Video, Component, HDMI, SDI, HD SDI, VGA, DVI
Verification	CE, FCC, ETL, CB, RoHS, REACH, WEEE	CE, FCC, ETL, CB, RoHS, REACH, WEEE	CE, FCC, ETL, CB, RoHS, REACH, WEEE

Model Number	IL-FISS-IRWP2.3	IL-FISS-IRWP2.5	IL-FISS-IRWP3.1
Pixel Pitch	2.34mm	2.5mm	3.12mm
Physical Density	182,044pixels/m <sup>2</sup>	160,000pixels/m <sup>2</sup>	102,400pixels/m <sup>2</sup>
LED Arrangement	3 IN 1 SMD	3 IN 1 SMD	3 IN 1 SMD
Module Resolution	128×72pixels	120×135pixels	96×54pixels
Module Dimensions	300×168.75mm(11.81×6.64in)	300×337.5mm(11.81×13.29in)	300×168.75mm(11.81×6.64in)
Cabinet Resolution	256×144pixels	240×135pixels	192×108pixels
Cabinet Dimensions	600×337.5×29.5mm (23.62×13.29×1.16in)	600×337.5×29.5mm (23.62×13.29×1.16in)	600×337.5×29.5mm (23.62×13.29×1.16in)
Cabinet Weight	5.2kg(11.46lb)	5.18kg(11.42lb)	5.2kg(11.46lb)
Brightness	1000~1200nits	1200~1500nits	1200~1500nits
Max Power Consumption	105w/panel	105w/panel	150w/panel
Avg Power Consumption	35w/panel	35w/panel	50w/panel
Viewing Angle	160°/160°	160°/160°	160°/160°
Operating Power Source	100-240V AC 50-60Hz	100-240V AC 50-60Hz	100-240V AC 50-60Hz
Operating Temperature	-10°C~+45°C	-10°C~+45°C	-10°C~+45°C
Refresh Rate	≤3,840Hz	≤3,840Hz	≤3,840Hz
IP Rating	IP30	IP30	IP30
Signal Input Source	DVI, HDMI, DP, SDI, RJ45	DVI, HDMI, DP, SDI, RJ45	DVI, HDMI, DP, SDI, RJ45
Verification	CE, FCC, ETL, CB, RoHS, REACH, WEEE	CE, FCC, ETL, CB, RoHS, REACH, WEEE	CE, FCC, ETL, CB, RoHS, REACH, WEEE

The product specifications can be customized

© Copyright 2020 INFILED. INFILED is a trademark of SHENZHEN INFILED ELECTRONICS Co, LTD. The information contained herein is subject to change without notice. INFILED shall not be liable for technical or editorial errors or omissions contained herein. For more information, please contact your local sales manager. July 2020.



Shenzen HQ | Barcelona | Dubai | Rotterdam | Los Angeles | Kuala Lumpur

For more information, contact:  
[info.emea@infiled.com](mailto:info.emea@infiled.com)



[www.infiled.com](http://www.infiled.com)