

# Honeywell

**EN** Portable Evaporative Air Cooler  
User Manual

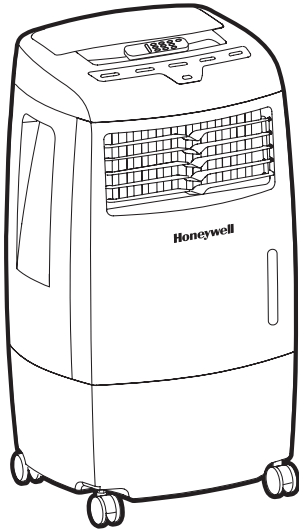
Read and save these instructions before use

**FR** Refroidisseur d'air par évaporation portatif  
Mode d'emploi

Lire ces instructions avant l'utilisation et les conserver

**ES** Enfriador de Aire Evaporativo Portátil  
Manual de Instrucciones

Lea y guarde estas instrucciones antes de usar la unidad



---

Model / Modèle / Modelo:  
CL25AE

---

Customer Support:  
Assistance Au Client:  
Servicio de atención a clientes:  
Web: [www.jmatek.com](http://www.jmatek.com)  
Call us toll-free: 1-800-474-2147  
USA: [usinfo@jmatek.com](mailto:usinfo@jmatek.com)  
CANADA<sup>^</sup>: [canadainfo@jmatek.com](mailto:canadainfo@jmatek.com)

<sup>^</sup> Canada Customer Support service available for models sold in Canada only.

<sup>^</sup> Le Service Client Canadien est disponible uniquement pour les modèles vendus sur le territoire Canadien.

<sup>^</sup> Servicio de Atención A Clientes en Canadá disponible solo para modelos vendidos en Canadá.



# THANK YOU

Congratulations on your purchase of this Honeywell Evaporative Air Cooler.

The Safety & Maintenance Guide and the separate User Manual are intended to provide you with important information needed to set up, operate, maintain and troubleshoot this product.

## SAFETY RULES

### WARNING—READ AND SAVE THE AIR COOLER GUIDE AND USER MANUAL

The Air Cooler Guide and User Manual are intended to provide important information needed to set up, operate, maintain and troubleshoot your Air Cooler. Failure to follow these instructions may damage and/or impair its operation, create hazards, and void the warranty. In case there is any inconsistency or conflict between the English version and any other language version of the content of this material, the English version shall prevail.

#### READ AND SAVE THESE INSTRUCTIONS:

When using electrical appliances, basic safety precautions should always be followed:

- This appliance can be used by children aged from 8 years and above and persons with reduced physical, sensory or mental capabilities or lack of experience and knowledge if they have been given supervision or instruction concerning use of the appliance in a safe way and understand the hazards involved. Children shall not play with the appliance. Cleaning and user maintenance shall not be made by children without supervision.
- DO NOT operate with a damaged cord or plug. If the supply cord is damaged, it must be replaced with a supply cord which is as per manufacturers specifications, by the authorized service centre or its service agent or a similarly qualified person in order to avoid a hazard.
- Before operating the product, remove the packaging and check that product is in good condition.
- DO NOT allow children to play with this appliance, packaging or plastic bags.
- Check the household voltage to ensure it matches the appliance's rating specifications.
- DO NOT use an extension cord with this unit.
- DO NOT run power cord under carpeting, or cover it with rugs or runners. Keep the cord away from areas where it may be tripped over.
- Always ensure the water tank is filled with water above the "min." level mark, when operating the air cooler in evaporative COOLING mode.
- Always unplug the Air Cooler before refilling the water tank, cleaning, servicing or relocating the unit.

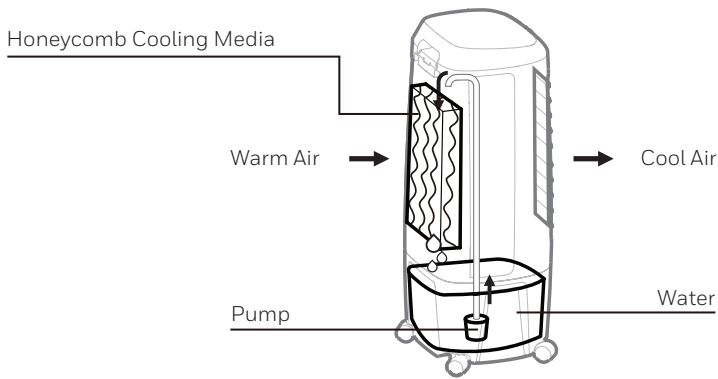
## SAFETY RULES (CONTINUED)

- Never pull the cord. Remove it from the electrical outlet/ socket by grasping and pulling on the plug-end of the cord.
- This appliance has been manufactured for use in domestic environments and must not be used for other purposes.
- DO NOT use in areas where gasoline, paint or other flammable goods and objects are stored.
- DO NOT operate the unit on COOL setting with an empty tank as this may result in damage to the water pump.
- DO NOT attempt to repair or adjust any electrical or mechanical functions of the Air Cooler, as this may void the warranty.
- DO NOT cover the cooler's air inlet or outlet, as this may damage the motor.
- DO NOT insert or allow objects to enter any ventilation or exhaust opening, as this may damage the unit and may cause electrical shock or fire.
- DO NOT operate with the Honeycomb Cooling Media removed, as this will overload and damage the motor.
- DO NOT leave the operating appliance unattended for an extended period of time.
- DO NOT operate this unit if it is damaged or malfunctions. Refer to the Troubleshooting section. If problem still exists contact the Customer Support Center.
- Always place the unit on a dry level floor.
- DO NOT use in bathrooms or near water. DO NOT keep the product where it may fall into water or a water container.
- Store in a dry area when not in use.
- Always grip the side handles to move the Air Cooler.
- **WARNING:** To reduce the risk of fire or electric shock, do not use this appliance with any solid state speed control device.

## What is Evaporative Cooling?

Honeywell Evaporative Air Coolers are built to maximize energy efficiency and keep energy costs low. Warm air is drawn into the cooler and enters the Honeycomb Cooling Media. Water pumped from the water tank pours over the Honeycomb Cooling Media. As the warm air passes through the Honeycomb Cooling Media, the water absorbs the heat, naturally cooling and humidifying the air. A fan propels the cooled air out into the room. This no-compressor system cools naturally, efficiently and inexpensively.

## Evaporative Air Cooling Mechanism



The recommended maximum relative humidity level is 60% or less, which allows a noticeable temperature decrease. The temperature will be lower in drier climates because higher evaporation occurs when the humidity is low.

## NOTE

When the product is used for the first time the Honeycomb Cooling Media will have an odor which will dissipate in a few hours or so of initial use.

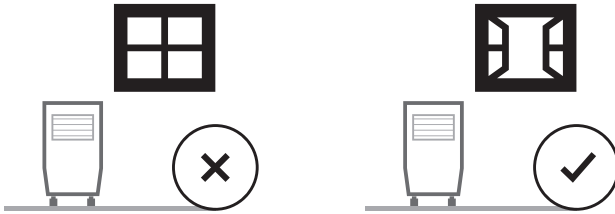
# COOLER LOCATION

To maximize efficiency, position the Air Cooler according to the following guidelines:

## Indoors

Place the cooler in front of an open door or window. Ensure that there is adequate cross-ventilation in the room by leaving a door or window open opposite the cooler.

The Evaporative Air Cooler should not be used in enclosed spaces. It must be kept level and there must be water in the water tank. Doors and windows should be opened to allow free air flow. The Evaporative Air Cooler works best when placed near an open window, so that outside air is drawn into the Evaporative Air Cooler, circulates in the room, then exits via the door. The maximum cooling effect is felt when a person is near the flow of air coming out of the Evaporative Air Cooler. The Evaporative Air Cooler produces moisture and can be used to humidify dry air. To be used for humidification the windows and doors should be closed.



**IMPORTANT:** The evaporative air cooler is not an air conditioner as it does not use a compressor or refrigerant gas. It should not be expected to cool as efficiently as a refrigerated air conditioner.

## Outdoors (for outdoor models only)

- Use only on GFCI Protected outlets/ sockets (for USA only). Press the TEST button (then RESET button) every month to ensure proper operation.
- Power cords must be secured to avoid tripping.
- The wiring and connections must be protected from water. The electrical plug and Air Cooler connections must be dry at all times. When used outdoors, insert the air cooler electrical plug into an IP44 compliant outdoor electrical outlet.
- Set the unit on a solid flat surface.

**IMPORTANT:** Honeywell Outdoor Air Cooler models are designed to IPX4 product standards and not recommended to be placed outdoors during heavy rain or snow.

# STORAGE AND MAINTENANCE GUIDELINES

Read the detailed CLEANING & DRAINING THE WATER TANK instructions for your Air Cooler, located in the separate User Manual. Below is a general guideline for maintenance and storage of your Air Cooler.

**WARNING: Always switch OFF the Air Cooler and unplug it from the electrical source before cleaning or maintenance.**

## Cleaning

At least once a week, drain the water tank completely and refill with fresh water. Doing this will greatly reduce mineral deposits and help to extend the life of the Honeycomb Cooling Media.

## End of Season Storage

If the Air Cooler will not be used for a long time:

- Make sure all parts are dry by running the Fan Only mode for about 1 to 2 hours before storing (time depends on ambient humidity conditions).
- Switch OFF the Air Cooler and unplug from the power supply.
- Empty/drain all the water from the tank. Note: If the unit is connected to a continuous water supply, you must switch off the water supply and remove the drain tube before draining the water tank. This function is only available on some Honeywell Air Cooler models. Check the User Manual to see if your unit has the Continuous Water Supply Function.
- Clean the water tank with a damp cloth to wipe away any dust or mineral deposits.
- Remove the Honeycomb Cooling Media and Carbon Dust Filter\* from the Air Cooler and rinse under fresh water to remove dust and dirt.
- Replace the Honeycomb Cooling Media and Carbon Dust Filter\* after they are clean and dry.
- To protect the unit from dust, moisture and scratches, cover with a clean cloth, tarp or plastic bag before storing.
- Coil the power cord and store it away from the floor to protect it.
- Store this unit at room temperature in a dry location, away from direct sunlight and/or very hot, cold or damp environments.

\* Carbon Dust Filter is available in specific models of Honeywell Air Coolers only. Check the Parts Description in the User Manual for your model to see if it includes a Carbon Dust Filter.

# TROUBLESHOOTING GUIDE

Customer Service Center Contact: See last page of User Manual.

PROBLEM	POSSIBLE CAUSE	SOLUTION
No discharge of air.	Cord is not plugged in.	Make sure power cord is plugged in and the switch is ON.
	Power is not ON.	Turn the unit ON by pressing the power button on the control panel / remote control or turn the SPEED knob.
Not Cooling / Unit is making noise.	Pump is not turned ON.	Turn on COOL function from remote or control panel.
	Low or no water in tank, when COOL is selected.	Refill water tank.
	Damaged Pump or Calcium deposits on blower.	Contact Customer Service Center.
Excessive humidity in the room.	In cooling mode, the Air Cooler produces moisture as a result of evaporative cooling. This is normal.	The Air Cooler cools best in dry climates. If the ambient humidity level is high (approx. 60% or above), refrain from using the Air Cooler until ambient humidity is reduced.
		Make sure the window/doors are open and there is adequate cross-ventilation in the room so that the moisturized air can circulate better. Do not use the evaporative cooling function on days with high ambient humidity.
Odors.	When the Cooler is new.	When the unit is used for the first time, the Honeycomb Cooling Media will have an odor, which will dissipate within a few hours of initial use.
	Algae or mold due to moist parts. In very damp conditions, algae may form.	Check the Honeycomb Cooling Media. If you see mold spots on the media or suspect an algae issue, remove and replace the Honeycomb Cooling Media. Contact the Customer Service Center for more information.

# TROUBLESHOOTING GUIDE (CONTINUED)

PROBLEM	POSSIBLE CAUSE	SOLUTION
Remote control does not work.	Remote control batteries are old & used or inserted incorrectly in the battery compartment.	Replace with new batteries. Follow the polarity guide inside the battery compartment.
	Damaged remote control.	If replacing new batteries in the correct position does not work, contact the Customer Service Center.
The unit does not respond.	Damaged Control Panel on unit.	Try to activate the unit with the Remote Control. If the unit responds, then the Control Panel on the unit may be experiencing problems - contact the Customer Service Center.
		If neither the Remote Control or the Control Panel is working, contact the Customer Service Center.
The outdoor Air Cooler is wet from rain.	The Air Cooler was placed outdoors (this is only allowed for outdoor Air Cooler models) and soaked by heavy rain.	A small amount of rain on the unit is not a problem as long as the electrical plug and outlet are dry. If they are wet, DO NOT touch the unit or electrical plug/outlet. Switch off the master power for the outlet before unplugging the unit from the electrical outlet. Make sure all outlets and plugs are dry before use.
		The Air Cooler is designed to IPX4 product standards and not recommended to be placed outdoors during heavy rain conditions. Do not operate the Air Cooler when wet. Wait for the Air Cooler to dry before plugging in and turning on the unit again.



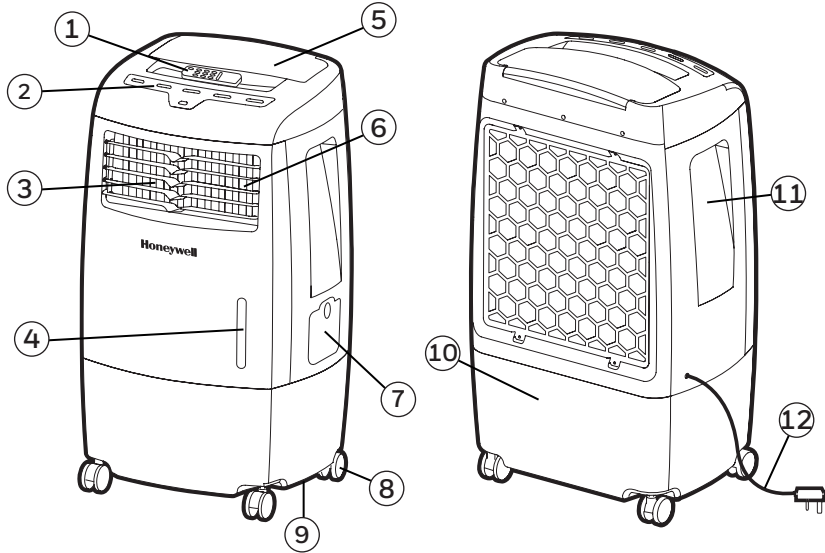
The batteries contain materials, which are hazardous to the environment; they must be removed from the appliance before it is scrapped and that they are disposed of safely.



**Correct Disposal of this product.**

This marking indicates that this product should not be disposed with other household wastes throughout the EU. To prevent possible harm to the environment or human health from uncontrolled waste disposal. recycle it responsibly to promote the sustainable reuse of material resources. To return your used device, please use the return and collection systems or contact the retailer where the product was purchased. They can take this product for environmental safe recycling.

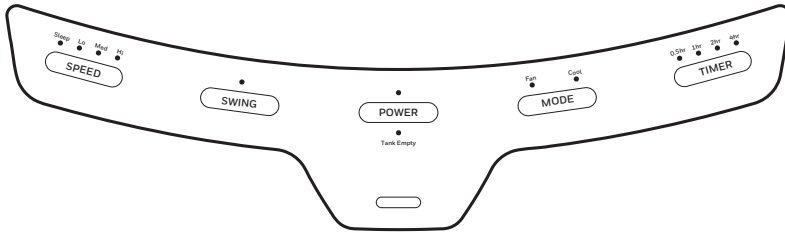
# PARTS DESCRIPTION



- |                          |                       |
|--------------------------|-----------------------|
| 1) Remote Control        | 7) Water Fill Door    |
| 2) Control Panel         | 8) Casters            |
| 3) Horizontal Louvers    | 9) Drain Plug         |
| 4) Water Level Indicator | 10) Water Tank        |
| 5) Ice Compartment Lid   | 11) Handle            |
| 6) Vertical Louvers      | 12) Power Cord & Plug |

**WARNING -- READ AND SAVE THE AIR COOLER SAFETY & MAINTENANCE GUIDE AND USER MANUAL BEFORE USING THIS PRODUCT. FAILURE TO FOLLOW THESE INSTRUCTIONS MAY DAMAGE AND/ OR IMPAIR ITS OPERATION AND VOID THE WARRANTY. IN CASE THERE IS ANY INCONSISTENCY OR CONFLICT BETWEEN THE ENGLISH VERSION AND ANY OTHER LANGUAGE VERSION OF THE CONTENT OF THIS MATERIAL, THE ENGLISH VERSION SHALL PREVAIL.**

## CONTROL PANEL



## FUNCTION BUTTONS

### POWER

Press the POWER button to turn the unit on. The cooler will start automatically at medium speed. After a few seconds the speed will switch to low. To turn the unit off, press the button again.

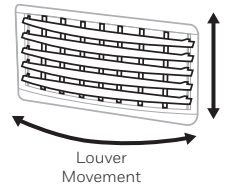
### SPEED

Press the SPEED button repeatedly to change the speed between Lo - Med - Hi - Sleep.

When the SLEEP mode is selected, the fan will run on High for one hour, then Medium for the second hour and on Low speed from the third hour onwards until you switch off the unit.

### SWING

Press the SWING button until the SWING indicator light is illuminated on the control panel. The louvers will begin to move left to right automatically. Vertical Air Flow - You can manually adjust the louvers to change vertical air flow.



### MODE

Press the MODE button to select COOL and FAN modes. Pressing the MODE button until COOL is illuminated on the control panel activates evaporative cooling. The water pump will operate and you will feel the cooler air after the Honeycomb Cooling Media is completely wet.

Pressing the MODE button until Fan is illuminated switches the unit to a fan only mode, without evaporative cooling.

## FUNCTION BUTTONS (CONTINUED)

### TIMER

Press the TIMER button until the desired time duration setting is selected. When the set time has passed, the unit will automatically turn off (unit remains in Standby mode until power cord is unplugged from electrical socket). The TIMER function allows you to program the unit for up to 7.5 hours of use.

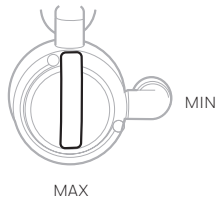
## ROOM COOLING AND HUMIDIFYING

In cooling mode, Honeywell Air Coolers provide moisturized air through the evaporation of water. There is a manual Water Regulator knob located in the ice compartment of the unit. This allows you to adjust the amount of water pumped over the Honeycomb Cooling Media, thus helping to control cooling and humidification levels.

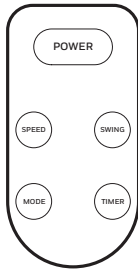
When the Water Regulator is set to MIN, the water pump distributes a minimal amount of water to the Honeycomb Cooling Media. This results in less water evaporation and reduces the cooling effect.

When the Water Regulator is set to MAX, the water pump distributes the maximum amount of water to the Honeycomb Cooling Media. This results in maximum water evaporation and the cooling performance improves.

Water Regulator



## REMOTE CONTROL



POWER : ON / OFF

SPEED : Low / Medium / High / Sleep

MODE : Controls cooling or fan option

SWING : Controls the motion of the louvers

TIMER : Controls the Timer function for automatic off

### NOTE:

- The remote control requires AAA (2 x 1.5V) batteries for replacement.
- Open the battery compartment at the back of the remote control and insert the batteries inside. Care must be taken to insert the batteries according to the correct polarity (+ / -) markings shown inside the battery compartment.
- Always point the remote control signal transmitter towards the unit when operating. Make sure that the signal path is not obstructed.
- Remove the batteries if the unit is not going to be used for an extended period of time.
- Do not drop the remote control.
- Do not mix different types of batteries such as alkaline, carbon-zinc, or rechargeable batteries.
- Do not mix old and new batteries.
- Do not recharge the battery.
- Exhausted batteries are to be removed from the product and safely disposed of as per local regulations.
- Do not dispose of batteries in fire. Batteries may explode or leak.

**WARNING:** Caution for ingestion of the small battery. Keep away from children and animals.

## COOLER LOCATION

Make sure to position the air cooler correctly before you set up and start using the product. Please refer to the COOLER LOCATION (IMPORTANT TO READ) section of the separate Safety & Maintenance Guide.

## FILLING WITH WATER

### CAUTION:

Unplug the unit from the electrical power outlet before emptying or refilling the water tank.

Open the Water Fill Door located on the side of the unit.

The Water Level Indicator is located at the front of the unit. Refill the water tank when water level is low. Do not fill water above the "Max." water level mark to avoid water droplets collecting on the louvers. Check the water level in the tank before running the COOL function. Make sure that the water in the tank is above the minimum water level mark. Running the unit in COOL mode with inadequate water may cause pump failure.

**Note:** The water capacity refers to the total volume of water that can be contained within the air cooler water tank and water distribution system. The water capacity in the tank at the "Max." indicator level may be lower than the actual water capacity of the air cooler.

**Note:** If ice is available, you may add ice in the top ice compartment to enhance the cooling performance.

**WARNING:** Do not fill water tank with dirty water or salt water. This can damage the unit and Honeycomb media.



## LOW WATER ALARM

The unit is equipped with a low water sensor. In Cooling Mode, when water in the tank is below the minimum level, you will hear a beeping sound and the TANK EMPTY indicator light will flash continuously. The unit will automatically pause evaporative cooling.

Refill the water tank to deactivate the alarm in cooling mode. First switch OFF the unit and unplug from the power outlet. Fill the water tank with water above the minimum water level mark. Plug in and switch ON again.

To deactivate the alarm and continue using the unit as a fan (without evaporative cooling), switch the unit OFF and then ON again. The Low Water Alarm will not activate in Fan only mode. The Low Water Alarm will sound again if the COOL function is activated while the water tank is still empty.

## CLEANING & DRAINING THE WATER TANK

Below are instructions on how to clean and maintain your air cooler. If the cooler will not be used for a long period of time, please refer to the STORAGE & MAINTENANCE GUIDELINES located in the separate Safety & Maintenance Guide.

### **WARNING:**

Before cleaning the unit, switch the unit OFF and disconnect from the electrical socket.

- Move the unit to a location where the water can be drained. Remove the cap from the Drain plug located at the bottom of the unit. Allow the tank to empty.
- Refill the water tank with clean water, up to the maximum level and drain it completely.
- Use a damp cloth to remove the dirt and dust from the surface of the unit. Never use corrosive elements or chemicals to clean this product.
- When the product is not in use, store the unit in a dry place out of direct sunlight.

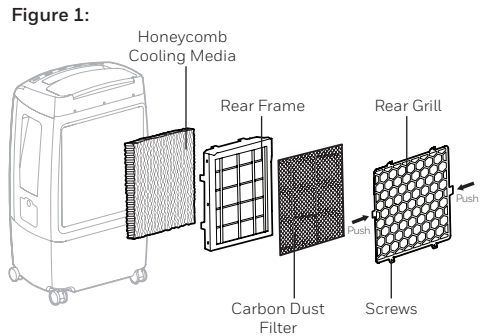
## CLEANING THE CARBON DUST FILTER AND HONEYCOMB COOLING MEDIA

- The appliance is supplied with a Carbon Dust Filter & Honeycomb Cooling Media.
- The Carbon Dust Filter and Honeycomb Cooling Media are located inside the Rear Grill (See Figure 1) and see below for instructions on how to remove them from the unit for cleaning.
- Do not run the unit in COOL mode with stale water in the tank. You must empty the water tank and refill with fresh water, especially if the tank has not been cleaned in a long time.
- The cleaning frequency for the Honeycomb media depends on local air and water conditions. In areas where the mineral content of water is high, mineral deposits may build up on the Honeycomb Cooling Media and restrict air flow. Draining the water tank and refilling with fresh water at least once a week will help reduce mineral deposits. If mineral deposits remain on the Honeycomb Cooling Media, the media should be removed and washed under fresh water. The media should be cleaned every two months or sooner, depending on your needs.
- For best results allow the Honeycomb Cooling Media to dry after each use by turning off the cool function 15 minutes before turning the unit off.

Removing the Carbon Dust Filter/ Honeycomb Cooling Media:

1. Remove all the screws from the Rear Grill.
2. Carefully push the left and right side of the rear grill and pull out from the cooler.
3. Pull out the Carbon Dust Filter and clean with water as needed.
4. To release the Honeycomb Media pull out the Rear Frame and slide the Honeycomb out of the frame.
5. Replace or clean media with water and a damp cloth as needed.

**WARNING:** DO NOT operate the Air Cooler when the Rear Grill or Rear Frame is removed from the Air Cooler, or if there is a loose-fitting Rear Grill or Rear Frame. Doing so can cause serious injury or dangerous electrical shock.





Nous vous félicitons d'avoir acheté ce refroidisseur d'air par évaporation de Honeywell.

Le Guide de sécurité et d'entretien et le Manuel de l'utilisateur ont tous deux pour but de vous communiquer des renseignements importants pour l'installation, l'utilisation, l'entretien et le dépannage de cet appareil.

## RÈGLES DE SÉCURITÉ

### AVERTISSEMENT - LIRE ET CONSERVER LE GUIDE ET LE MANUEL DE L'UTILISATEUR DU REFROIDISSEUR D'AIR

Le Guide et le Manuel de l'utilisateur du refroidisseur d'air sont destinés à fournir des renseignements importants pour l'installation, l'utilisation, l'entretien et le dépannage de votre refroidisseur d'air. Ne pas suivre ces consignes pourrait endommager l'appareil et/ou perturber son fonctionnement, provoquer des risques et annuler la garantie. En cas d'incohérence ou de conflit entre la version anglaise et tout autre version linguistique du contenu de ce matériel, la version anglaise prévaudra.

#### LIRE ET CONSERVER CES CONSIGNES:

En utilisant des appareils électriques, les mesures de sécurité élémentaires suivantes doivent toujours être prises:

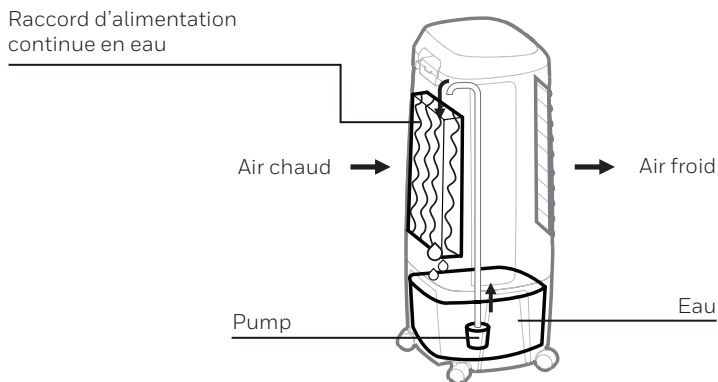
- Cet appareil peut être utilisé par des enfants âgés de 8 ans et plus, ainsi que des personnes ayant des capacités réduites au niveau physique, sensoriel ou mental, ou un manque d'expérience et de connaissances si ils ont été supervisés ou instruits à propos de l'utilisation de l'appareil de manière sûre et s'ils ont compris les risques encourus. Les enfants ne doivent pas jouer avec l'appareil. Le nettoyage ou la maintenance ne devra pas être effectuée par des enfants, sauf si ces derniers sont âgés de plus de 8 ans et s'ils sont supervisés.
- NE PAS utiliser avec une prise ou un cordon endommagés. Si le cordon d'alimentation est endommagé, il doit être remplacé par un cordon d'alimentation conforme aux spécifications du fabricant, par le centre de service agréé, son intermédiaire de service ou une personne qualifiée afin d'éviter tout danger.
- Avant d'utiliser l'appareil, il convient de le débarrasser et de s'assurer qu'il est en bon état.
- NE PAS permettre aux enfants de jouer avec cet appareil, son emballage ou les sacs en plastique.
- Vérifiez la tension résidentielle afin de s'assurer qu'elle convient aux spécifications de l'appareil.
- NE PAS utiliser une rallonge électrique avec cet appareil.
- NE PAS faire passer le cordon électrique sous la moquette ou le recouvrir avec un tapis ou un chemin de couloir. Garder le cordon à l'écart des endroits où ils risquent de causer une chute.
- S'assurer à tout moment que l'eau dans le réservoir dépasse la marque du niveau "min.", lorsque le refroidisseur d'air fonctionne en mode REFROIDISSEMENT par évaporation.
- Toujours débrancher le refroidisseur d'air avant d'en remplir le réservoir d'eau, de le nettoyer, d'en faire l'entretien ou de le déplacer.

- Ne jamais tirer sur le cordon. Pour débrancher l'appareil, il convient de saisir la fiche et de la retirer hors de la prise électrique.
- Cet appareil a été fabriqué pour être utilisé en milieu domestique et ne doit pas être utilisé à d'autres fins.
- NE PAS utiliser dans des endroits où de l'essence, de la peinture ou d'autres produits ou objets inflammables sont rangés.
- NE PAS faire fonctionner l'appareil en mode COOL (refroidissement) avec un réservoir vide au risque d'endommager la pompe à eau.
- NE PAS tenter de réparer ou de régler les fonctions électriques ou mécaniques du refroidisseur d'air, car cela risque d'annuler la garantie.
- NE PAS couvrir l'entrée ou la sortie d'air du refroidisseur, car cela risque d'endommager le moteur.
- NE PAS insérer ou laisser un objet pénétrer dans une quelconque ouverture de ventilation ou d'évacuation, car cela risque d'endommager l'appareil et de causer une décharge électrique ou un incendie.
- NE PAS faire fonctionner l'appareil sans le système de refroidissement en nid d'abeilles, car cela surchargera et endommagera le moteur.
- NE PAS laisser l'appareil en marche sans surveillance durant une longue période.
- NE PAS continuer de faire fonctionner l'appareil s'il est endommagé ou défectueux. Voir la section Dépannage. Si le problème persiste, contacter le centre de soutien à la clientèle.
- Placer systématiquement l'appareil sur une surface plane et sèche.
- NE PAS utiliser dans les salles de bains ou à proximité de l'eau. NE PAS placer l'appareil dans un endroit où il risque de tomber dans l'eau ou dans un contenant d'eau.
- Lorsqu'il n'est pas utilisé, le ranger dans un endroit sec.
- Toujours déplacer le refroidisseur d'air au moyen de ses poignées latérales.
- **AVERTISSEMENT:** Afin de réduire les risques d'incendie ou de décharges électriques, ne pas utiliser cet appareil avec toute commande de vitesse à semi-conducteur.

## Qu'est-ce que le refroidissement par évaporation?

Les refroidisseurs d'air par évaporation portatifs de Honeywell sont conçus afin de maximiser l'efficacité énergétique à faibles coûts. L'air chaud est aspiré dans le refroidisseur et entre dans le système de refroidissement en nid d'abeilles. L'eau pompée du réservoir se déverse sur le système de refroidissement en nid d'abeilles. Lorsque l'air chaud circule dans le système de refroidissement en nid d'abeilles, l'eau absorbe la chaleur, refroidissant et humidifiant naturellement l'air. Un ventilateur projette l'air refroidi dans la pièce. Ce système sans compresseur rafraîchit d'une façon naturelle, efficace et peu coûteuse.

## Mécanisme de refroidissement d'air par évaporation



Le taux d'humidité relative maximal recommandé est de 60% ou moins, ce qui permet une diminution perceptible de la température. La température sera plus faible en climat sec, car une plus grande évaporation se produit lorsque l'humidité est faible.

## REMARQUE

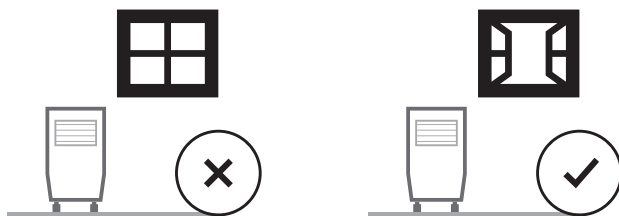
Lorsque l'appareil sera utilisé pour la première fois, une odeur se dégagera du système de refroidissement en nid d'abeilles, puis se dissipera dans les quelques heures suivant l'utilisation initiale.

Afin d'en maximiser l'efficacité, positionnez le refroidisseur d'air conformément aux directives suivantes:

## À l'intérieur

Placer le refroidisseur d'air devant une porte ou une fenêtre ouverte. S'assurer d'une ventilation transversale adéquate dans la pièce en laissant une porte ou une fenêtre ouverte à l'opposé du refroidisseur d'air.

Le refroidisseur d'air par évaporation ne doit pas être utilisé dans des espaces clos. Il doit être de niveau et son réservoir doit contenir de l'eau en tout temps. Les portes et fenêtres doivent être ouvertes pour permettre la circulation d'air. L'efficacité du refroidisseur d'air par évaporation est optimale lorsqu'il est placé près d'une fenêtre ouverte de manière à ce que l'air extérieur y soit aspiré, puis circule dans la pièce et en sorte par la porte. Pour ressentir l'effet de refroidissement maximal, il convient de demeurer à proximité de l'air sortant du refroidisseur d'air par évaporation. Le refroidisseur d'air par évaporation produit de l'humidité et peut être utilisé pour humidifier l'air sec. S'il est utilisé pour l'humidification, les fenêtres et portes doivent être fermées.



**IMPORTANT:** Le refroidisseur d'air par évaporation n'est pas un climatiseur, car il ne fonctionne pas au moyen d'un compresseur ni de gaz frigorigène. Il ne faut pas s'attendre à ce qu'il rafraîchisse autant qu'un climatiseur réfrigérant.

## À l'extérieur (uniquement pour les modèles d'extérieur)

- Utiliser uniquement avec des prises protégées par des disjoncteurs de fuite de terre. Appuyez sur le bouton TEST, puis sur le bouton RESET une fois par mois pour assurer un bon fonctionnement.
- Pour éviter qu'ils provoquent une chute, les cordons d'alimentation doivent être disposés de manière sécuritaire.
- Les fils et les connexions doivent être protégés de l'eau. La prise électrique et les connexions du refroidisseur d'air doivent être sèches tout le temps. Lorsqu'il est utilisé à l'extérieur, branchez la fiche électrique dans une prise extérieure conforme à la norme IP44.
- Placer l'appareil sur une surface plane et solide.

**IMPORTANT:** Les modèles de refroidisseur d'air par évaporation de Honeywell sont conformes à la norme IPX4, et il n'est pas recommandé de les laisser à l'extérieur en cas de fortes pluies ou de neige.

Lire les consignes détaillées dans la section de votre Manuel de l'utilisateur intitulée NETTOYAGE ET VIDANGE DU RÉSERVOIR D'EAU de votre refroidisseur d'air. Des directives générales d'entretien et de rangement de votre refroidisseur d'air se trouvent ci-dessous.

**AVERTISSEMENT: Toujours ÉTEINDRE le refroidisseur d'air et le débrancher de la source électrique avant d'en faire le nettoyage ou l'entretien.**

## Nettoyage

Au moins une fois par semaine, vider complètement le réservoir de l'appareil et le remplir d'eau propre. Cela réduira énormément les dépôts calcaires et prolongera la vie utile du système de refroidissement en nid d'abeilles.

## Rangement en fin de saison

Dans le cas où le refroidisseur d'air ne sera pas utilisé pendant une longue période:

- Avant l'entreposage de l'appareil, il convient de le faire fonctionner en mode Ventilation seulement pendant une heure ou deux (selon l'humidité ambiante) de façon à ce que toutes ses pièces soient sèches.
- ÉTEINDRE le refroidisseur d'air et le débrancher de la prise électrique.
- Vider/ vidanger toute l'eau du réservoir. Remarque: Si l'appareil est branché à une alimentation d'eau continue, vous devez couper l'alimentation d'eau et enlever le tube de vidange avant de vider le réservoir. Seuls certains modèles de refroidisseurs d'air de Honeywell sont munis de cette fonction.
- Pour vérifier si c'est le cas du vôtre, consulter le Manuel de l'utilisateur. Nettoyer le réservoir d'eau avec un chiffon humide pour essuyer tout dépôt de poussière ou de minéraux.
- Retirer le système de refroidissement en nid d'abeilles et le filtre dépollueur à charbon\* du refroidisseur d'air et le rincer avec de l'eau propre pour en retirer la poussière et la saleté.
- Replacer le système de refroidissement en nid d'abeilles et le filtre dépollueur à charbon\* une fois qu'ils sont propres et secs.
- Pour protéger l'appareil contre la poussière, l'humidité et les éraflures, il convient de le couvrir avec un sac de tissu ou de plastique ou encore une bâche avant l'entreposage.
- Enrouler le cordon d'alimentation et le ranger sans contact avec le sol afin de le protéger.
- Entreposer l'appareil à la température ambiante dans un endroit sec, à l'abri de la lumière directe du soleil et/ou de la chaleur, de l'humidité et du froid très élevés.

\* Seuls certains modèles de refroidisseur d'air de Honeywell sont munis d'un filtre dépollueur à charbon. Dans le manuel d'utilisation du modèle, consulter la description des pièces pour savoir si un filtre à poussière de carbone est inclus.

Coordonnées du Centre de services à la clientèle : Consulter la dernière page du Manuel d'utilisation.

PROBLÈME	CAUSE POSSIBLE	SOLUTION
Aucune évacuation d'air.	Le cordon n'est pas branché.	S'assurer que le cordon d'alimentation est branché et que l'interrupteur est EN POSITION DE MARCHÉ.
	L'appareil n'est pas EN MARCHÉ.	Mettre l'appareil en marche en appuyant sur l'interrupteur sur le panneau de commande ou la télécommande.
Aucun refroidissement et l'appareil est bruyant.	La pompe n'est pas EN MARCHÉ.	Mettre en mode REFROIDISSEMENT avec la télécommande ou sur le panneau de commande.
	Peu ou pas d'eau dans le réservoir en mode REFROIDISSEMENT.	Remplir le réservoir d'eau.
	Pompe endommagée ou dépôt calcaïque sur le ventilateur.	Communiquer avec le Service à la clientèle.
Humidité excessive dans la pièce.	En mode refroidissement, le refroidisseur d'air produit de l'humidité en raison du refroidissement par évaporation. Cette situation est normale.	Le refroidisseur d'air est plus efficace par temps sec. Si le taux d'humidité ambiante est élevé (approximatif. 60% ou plus), éviter de l'utiliser jusqu'à ce que l'humidité ambiante diminue.
		S'assurer que les fenêtres et les portes sont ouvertes et qu'il y a une ventilation transversale adéquate dans la pièce afin que l'air humide puisse mieux y circuler. Ne pas utiliser le refroidissement par évaporation lorsque l'humidité ambiante est élevée.
Odeurs.	Lorsque le refroidisseur est neuf.	Lorsque l'appareil est utilisé pour la première fois, une odeur se dégage du système de refroidissement en nid d'abeilles, laquelle se dissipera au cours des quelques heures suivantes.
	Des algues ou des moisissures à cause des parties humides. Dans des conditions très humides, des algues peuvent se former.	Vérifier le système de refroidissement en nid d'abeilles. Si vous voyez des taches de moisissures ou soupçonnez un problème d'algue, le retirer et le remplacer. Pour obtenir plus de renseignements, communiquer avec le Service à la clientèle.

PROBLÈME	CAUSE POSSIBLE	SOLUTION
La télécommande ne fonctionne pas.	Les piles de la télécommande sont vieilles & usagées ou insérées incorrectement dans le compartiment de pile.	Les piles de la télécommande doivent être remplacées ou elles sont insérées incorrectement dans leur compartiment.
	Télécommande endommagée.	Si l'appareil ne fonctionne toujours pas même s'il est muni de piles neuves placées correctement, communiquer avec le Service à la clientèle.
L'appareil ne réagit pas.	Le panneau de commande de l'appareil est endommagé.	Tenter de mettre l'appareil en marche avec la télécommande. Si l'appareil fonctionne, le panneau de commande pourrait se révéler défectueux - communiquer avec le Service à la clientèle.
		Si ni la télécommande ni le panneau de commande ne fonctionnent, communiquer avec le Service à la clientèle.
Le refroidisseur d'air extérieur est trempé à cause de la pluie.	Le refroidisseur d'air placé à l'extérieur (seuls les modèles conçus pour l'extérieur peuvent l'être) a été trempé sous une forte pluie.	Un peu de pluie ne cause pas de problèmes tant que la fiche et la prise du courant sont sèches. Si elles sont trempées, NE PAS toucher l'appareil ou la prise électrique/ fiche. Mettre l'interrupteur général d'alimentation de l'appareil à l'arrêt avant de débrancher l'appareil de la prise électrique. S'assurer que toutes les prises électriques et les fiches sont sèches avant d'utiliser l'appareil.
		Le refroidisseur d'air est conçu conformément à la norme IPX4 et il n'est pas recommandé de le laisser à l'extérieur en cas de fortes pluies. Ne pas utiliser le refroidisseur d'air lorsqu'il est mouillé. Attendre que le refroidisseur d'air soit sec avant de le brancher et de le remettre en marche.

Les batteries contiennent des matériaux dangereux pour l'environnement. Ils doivent être retirés de l'appareil avant d'être grattés et éliminés en toute sécurité.

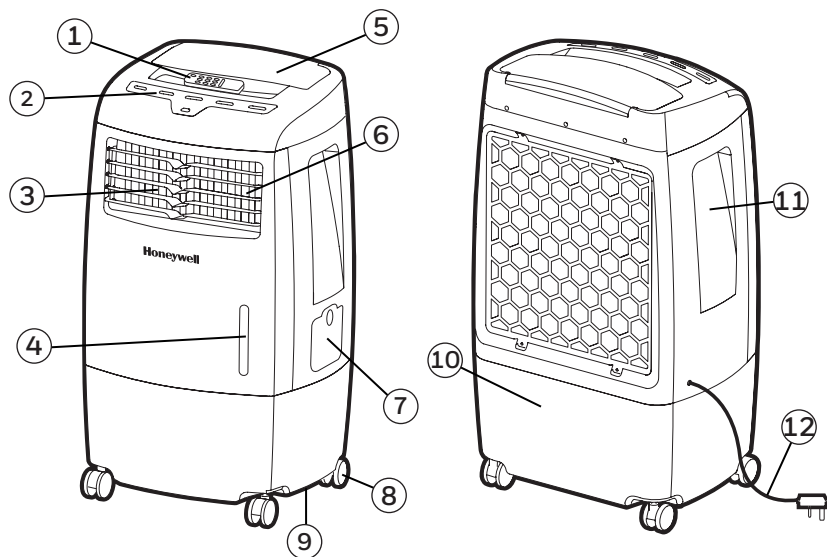


**Élimination correcte de ce produit.**

Ce marquage indique que ce produit ne doit pas être éliminé avec les autres ordures ménagères dans toute l'UE. Afin de prévenir d'éventuels dommages à l'environnement ou à la santé humaine causés par l'élimination incontrôlée des déchets, recycler l'appareil de manière responsable afin de favoriser la réutilisation durable des ressources matérielles. Pour renvoyer votre appareil usagé, veuillez utiliser les systèmes de retour et de collecte ou contacter le détaillant qui vous a vendu le produit. Ils récupéreront ce produit afin de permettre un recyclage sans danger pour l'environnement.



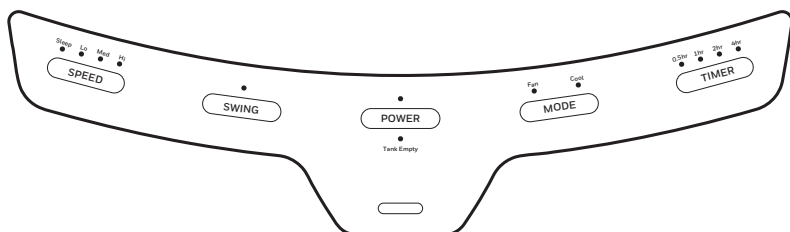
# DESCRIPTION DES PIÈCES



- |                                    |                                |
|------------------------------------|--------------------------------|
| 1) Télécommande                    | 7) Porte pour le remplissage   |
| 2) Panneau de commande             | 8) Roulettes Couvercle du      |
| 3) Grilles d'aération horizontales | 9) Bouchon de vidange          |
| 4) Indicateur de niveau d'eau      | 10) Réservoir d'eau            |
| 5) compartiment à glaçons          | 11) Poignée                    |
| 6) Grilles d'aération verticales   | 12) Cordon électrique et prise |

**AVERTISSEMENT -- LIRE ET CONSERVER LE GUIDE DE SÉCURITÉ ET D'ENTRETIEN ET LE MANUEL DE L'UTILISATEUR DU REFROIDISSEUR D'AIR AVANT D'UTILISER LE PRODUIT. NE PAS SUIVRE CES CONSIGNES POURRAIT ENDOMMAGER ET/OU PERTURBER SON FONCTIONNEMENT ET ANNULER LA GARANTIE. EN CAS D'INCOHERENCE OU DE CONFLIT ENTRE LA VERSION ANGLAISE ET TOUT AUTRE VERSION LINGUISTIQUE DU CONTENU DE CE MATÉRIEL, LA VERSION ANGLAISE PRÉVAUDRA.**

## PANNEAU DE COMMANDE



## BOUTONS DE FONCTION

### POWER (INTERRUPTEUR)

Appuyer sur l'INTERRUPTEUR pour mettre l'appareil en marche. Le refroidisseur fonctionnera automatiquement à la vitesse moyenne. Après quelques secondes, la vitesse basculera à faible. Pour éteindre l'appareil, appuyer sur l'interrupteur de nouveau.

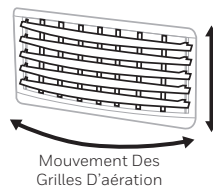
### SPEED (VITESSE)

Appuyer sur le bouton de la VITESSE à plusieurs reprises pour changer la vitesse entre Faible – Moyenne – Élevée – Sommeil.

Lorsque le mode SOMMEIL est sélectionné, le ventilateur fonctionnera à vitesse élevée pendant une heure, à vitesse moyenne pendant une heure, puis continuera à faible vitesse jusqu'à ce que l'appareil soit éteint.

### SWING (OSCILLATION)

Appuyer sur le bouton OSCILLATION jusqu'à ce que l'indicateur d'OSCILLATION soit illuminé sur l'écran d'affichage. Les grilles d'aération commenceront à osciller de gauche à droite automatiquement. – Débit d'air vertical – il est possible de régler manuellement les grilles d'aération verticales pour modifier le débit d'air vertical.



### MODE (MODE)

Appuyer sur le bouton MODE pour choisir les modes REFROIDISSEMENT et VENTILATEUR. Appuyer sur le bouton MODE jusqu'à ce que REFROIDISSEMENT soit illuminé sur le panneau de commande active le refroidissement par évaporation. La pompe à eau fonctionnera en propulsant de l'air refroidi une fois que le système de refroidissement en nid d'abeilles sera complètement trempé.

Le fait d'appuyer sur MODE jusqu'à ce que VENTILATEUR s'illumine, fait passer l'appareil en mode ventilateur uniquement, sans refroidissement par évaporation.

## BOUTONS DE FONCTION (SUITE)

### TIMER (MINUTERIE)

Appuyer sur le bouton MINUTERIE jusqu'à ce que le temps désiré soit réglé. Une fois la période écoulée, l'appareil s'arrêtera automatiquement (l'unité reste en mode Veille jusqu'à ce que le cordon d'alimentation soit débranché de la prise électrique). La fonction MINUTERIE vous permet de programmer l'appareil afin qu'il fonctionne pendant 7,5 heures au maximum.

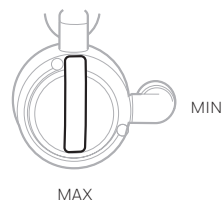
## REFROIDISSEMENT DE LA PIÈCE ET HUMIDIFICATION

En mode refroidissement, les refroidisseurs d'air de Honeywell fournissent de l'air humidifié grâce à l'évaporation de l'eau. Un bouton de régulation manuelle de l'eau se trouve dans le compartiment à glaçons de l'appareil. Celui-ci permet le réglage de la quantité d'eau pompée par le système de refroidissement en nid d'abeilles, contribuant ainsi à régler le degré de refroidissement et d'humidification.

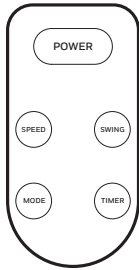
Lorsque le régulateur d'eau est réglé à MIN, la pompe à eau distribue une quantité minimale d'eau au système de refroidissement en nid d'abeilles, ce qui réduit l'évaporation d'eau et l'effet de refroidissement.

Lorsque le régulateur d'eau est réglé à MAX, la pompe à eau distribue une quantité maximale d'eau au système de refroidissement en nid d'abeilles, ce qui augmente l'évaporation d'eau et l'effet de refroidissement.

Régulateur d'eau



## TÉLÉCOMMANDE



POWER (Interrupteur) : EN MARCHE / ÉTEINDRE

SPEED (Vitesse) : Faible / Moyenne / Élevée / Veille

MODE (Mode) : Commande de sélection de la fonction de refroidissement ou de ventilation

SWING (Oscillation) : Commande le mouvement des grilles d'aération

TIMER (Minuterie) : Commande la fonction de minuterie pour l'arrêt automatique

### Remarque:

- Pour la remplacer, il convient de se procurer une pile plate AAA (2 x 1.5V).
- Ouvrir le compartiment de la pile à l'arrière de la télécommande et insérer une pile plate à l'intérieur. Veiller à respecter l'indication de polarité (+/- ) qui se trouve à l'intérieur du compartiment de pile.
- Lorsque la commande est utilisée, le signal du transmetteur doit toujours être pointé vers l'appareil. Il convient de s'assurer que des objets ne font pas obstacle au signal.
- Enlever les piles si l'appareil ne doit pas être utilisé pendant une période prolongée.
- Ne pas laisser tomber la télécommande.
- Ne pas mélanger les différents types de piles telles que les piles alcalines, carbone-zinc ou rechargeables.
- Ne pas mélanger de vieilles piles avec des neuves.
- Ne pas recharger la batterie.
- Les batteries usagées doivent être éliminées du produit et en toute sécurité éliminées selon les recommandations locales règlements.
- NE PAS jeter les piles au feu car elles peuvent exploser ou fuir.

**AVERTISSEMENT:** Attention pour l'ingestion de la petite batterie. Gardez loin des enfants et des animaux.

## POSITION DU REFROIDISSEUR D'AIR

Veiller à placer le refroidisseur d'air comme il se doit avant de l'installer et de l'utiliser. Il convient de se reporter à la section POSITION DU REFROIDISSEUR D'AIR (IMPORTANT à LIRE) du Guide de sécurité et d'entretien.

## REPLISSAGE

### ATTENTION:

Débrancher l'appareil avant de vider ou de remplir le réservoir d'eau.

Ouvrir la porte de remplissage qui se trouve sur le côté de l'appareil.

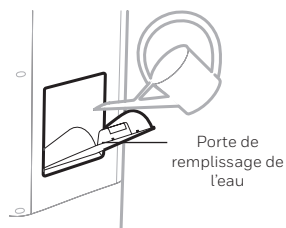
L'indicateur du niveau d'eau se trouve à l'avant de l'unité. Remplir le réservoir d'eau lorsque le niveau d'eau est faible. Ne pas dépasser la marque de niveau pour éviter les gouttelettes d'eau sur les grilles d'aération. Vérifier le niveau d'eau dans le réservoir avant de mettre en marche la fonction REFROIDISSEMENT.

S'assurer que l'eau du réservoir dépasse la marque du niveau d'eau minimal. Faire fonctionner l'appareil en mode REFROIDISSEMENT sans la quantité d'eau suffisante peut causer une panne de la pompe.

**Remarque:** La capacité d'eau correspond au volume total d'eau qui peut être contenu dans le réservoir et le système de distribution d'eau du refroidisseur d'air. La capacité d'eau dans le réservoir au niveau de l'indicateur « Max. » peut-être inférieure à la capacité d'eau réelle du refroidisseur d'air. del depósito en nivel MAX puede estar por debajo de la capacidad de contención real del enfriador.

**Remarque:** Pour améliorer le rendement du refroidisseur, des glaçons peuvent être ajoutés dans le compartiment qui se trouve sur le dessus de l'appareil.

**AVERTISSEMENT:** Ne pas remplir le réservoir d'eau avec de l'eau sale ou de l'eau salée, cela peut endommager le matériel et le Système de refroidissement en nid d'abeilles.



## AVERTISSEUR DE BAS NIVEAU D'EAU

L'appareil est muni d'un capteur de bas niveau d'eau. En mode Refroidissement, lorsque l'eau du réservoir n'atteint plus le niveau minimal, un bip se fait entendre et le symbole Voyant indicateur de RÉSERVOIR VIDE clignote automatiquement. Le refroidissement par évaporation cessera alors automatiquement.

Remplir le réservoir d'eau pour désactiver l'avertisseur en mode REFROIDISSEMENT. Éteindre en premier lieu l'appareil et le débrancher de la prise électrique. Remplir le réservoir d'eau en dépassant la marque de niveau minimal. Brancher et mettre en marche de nouveau.

Pour désactiver l'avertisseur et continuer d'utiliser l'appareil en tant que ventilateur (sans refroidissement par évaporation), éteindre l'appareil et le remettre en marche. En mode VENTILATEUR l'avertisseur de bas niveau d'eau ne s'activera pas. L'avertisseur de bas niveau d'eau retentira de nouveau si la fonction REFROIDISSEMENT est activée alors que le réservoir d'eau est toujours vide.

## NETTOYER ET VIDANGER LE RÉSERVOIR D'EAU

Voici ci-dessous les consignes pour nettoyer et entretenir votre refroidisseur d'air. Si le refroidisseur n'est pas utilisé pendant une longue période, il convient de se reporter aux DIRECTIVES D'ENTREPOSAGE ET D'ENTRETIEN du Guide de sécurité et d'entretien.

### AVERTISSEMENT:

Avant de nettoyer l'appareil, l'éteindre et le débrancher de la prise électrique.

- Déplacer l'appareil jusqu'à un endroit où l'eau peut être vidangée. Enlever le bouchon de vidange situé dans la partie inférieure de l'appareil. Laisser le réservoir se vider.
- Remplir le réservoir d'eau avec de l'eau propre, jusqu'au niveau maximal, puis le vider complètement.
- Utiliser un chiffon humide pour retirer la saleté et la poussière de la surface de l'appareil. Ne jamais utiliser de produits corrosifs ou chimiques pour nettoyer cet appareil.
- Lorsque le produit n'est pas utilisé, le ranger dans un endroit sec hors de la lumière directe du soleil.

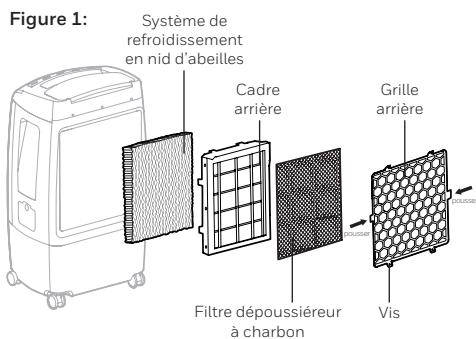
## NETTOYAGE DU FILTRE\* DÉPOUSSIÉREUR À CHARBON ET DU SYSTÈME DE REFROIDISSEMENT EN NID D'ABEILLES

- L'appareil est vendu avec un filtre dépollueur à charbon et un système de refroidissement en nid d'abeilles.
- Le filtre dépollueur à charbon et le système de refroidissement en nid d'abeilles se trouvent derrière la grille arrière. Pour savoir comment les retirer de l'appareil en vue de leur nettoyage et de leur entretien, consulter la figure 1.
- Ne pas faire fonctionner l'unité en mode REFROIDISSEMENT quand de l'eau stagnante se trouve dans le réservoir. Vous devez vider l'eau et la remplacer par de l'eau propre, surtout si le réservoir n'a pas été nettoyé depuis longtemps.
- La fréquence de nettoyage du système en nid d'abeilles dépend de l'état de l'eau et de l'air. Dans les régions où l'eau est riche en minéraux, des dépôts peuvent s'accumuler sur le système de refroidissement en nid d'abeilles et nuire à la circulation d'air. Vider le réservoir d'eau et le remplir d'eau propre au moins une fois par semaine contribueront à réduire les dépôts de minéraux. Si les dépôts de minéraux subsistent sur le système de refroidissement en nid d'abeilles, le système devra être retiré et lavé avec de l'eau propre. Le système devra être nettoyé tous les deux mois ou plus souvent, selon le besoin.
- Pour obtenir les meilleurs résultats, laisser sécher le système de refroidissement en nid d'abeilles après chaque utilisation en éteignant la fonction REFROIDISSEMENT pendant 15 minutes avant d'éteindre l'appareil.

### Retirer le filtre dépollueur à charbon / le système de refroidissement en nid d'abeilles :

1. Retirer toutes les vis de la grille arrière du refroidisseur d'air.
2. Pousser soigneusement les côtés gauche et droit de la grille arrière et la retirer du refroidisseur.
3. Retirer le filtre dépollueur à charbon et le nettoyer avec de l'eau au besoin.
4. Pour libérer le système de refroidissement en nid d'abeilles, retirer la grille arrière et glisser le nid d'abeilles hors du cadre.
5. Nettoyer le système avec de l'eau et un chiffon humide ou le remplacer au besoin.

**AVERTISSEMENT:** NE PAS UTILISER le refroidisseur d'air lorsque la grille arrière est retirée du refroidisseur d'air ou si la grille arrière ne tient pas en place correctement. Cela peut causer de sérieuses blessures ou de dangereuses décharges électriques. dangerous electrical shock.



Felicitaciones por la compra de este versátil Enfriador de Aire por Evaporación Honeywell.

La Guía de Mantenimiento y Seguridad, y el Manual del Usuario independiente tienen como objetivo brindarle la información necesaria para establecer, operar, mantener y solucionar los problemas de este producto.

## NORMAS DE SEGURIDAD

### ADVERTENCIA—LEA Y GUARDE LA GUIA Y EL MANUAL DEL USUARIO DEL ENFRIADOR DE AIRE

La Guía y el Manual del Usuario del Refrigerador de Aire tienen como objetivo brindarle la información necesaria para establecer, operar, mantener y solucionar los problemas de su Enfriador de Aire. Si no se siguen estas instrucciones, se puede dañar y/o perjudicar su funcionamiento, crear una situación peligrosa, e invalidar la garantía. En caso de existir alguna discrepancia o conflicto, en el contenido de este material, entre la versión en Inglés y la versión en cualquier otro idioma prevalecerá la versión en Inglés.

#### LIRE ET CONSERVER CES CONSIGNES:

Al utilizar aparatos eléctricos, seguir siempre las precauciones básicas de seguridad:

- Este aparato puede ser utilizado por niños de 8 años y mayores y las personas con capacidades físicas, sensoriales o mentales reducidas o falta de experiencia y conocimiento, si se les ha dado la supervisión o instrucciones relativas al uso del aparato de una manera segura y comprenda los peligros involucrado. Los niños no deben jugar con el aparato. La limpieza y mantenimiento del equipo no debe ser hecho por los niños sin supervisión.
- NO UTILICE un cable o enchufe dañado. Si el cordón de alimentación es dañado, este debe sustituirse por el fabricante, por su agente de servicio autorizado o por personal calificado con el fin de evitar un peligro.
- Antes de utilizar el producto, remueva el embalaje y controle que el producto se encuentra en buenas condiciones.
- NO permita que los chicos jueguen con el aparato, embalaje o bolsas plásticas.
- Controle el voltaje doméstico para garantizar que coincida con las especificaciones del aparato.
- NO UTILICE un cable de extensión con esta unidad.
- No pasar el cable de alimentación debajo de alfombras, o cubrirlo con mantas o corredores. Mantenga el cable lejos de las áreas en las que se pueda tropezar con ellos.
- Cuando ponga en funcionamiento el Enfriador de Aire en modo enfriamiento por evaporación, verifique siempre que la cantidad de agua en el tanque esté por encima de la marca de nivel "min."
- Desenchufe el Enfriador de Aire siempre antes de llenar el tanque de agua, limpiar la unidad, realizar tareas de mantenimiento o reubicar la unidad.



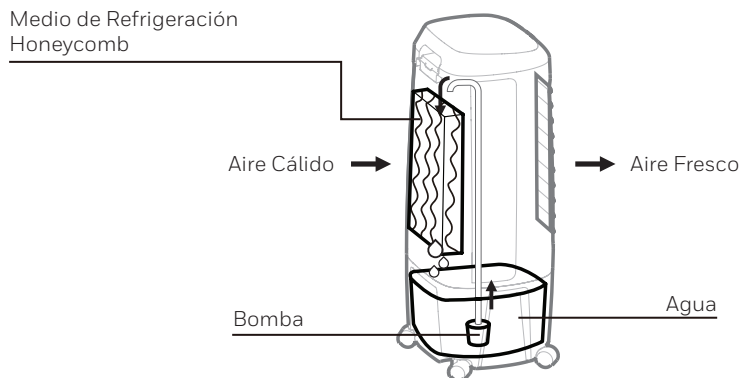
- Nunca tire del cable. Retírelo del toma corriente/enchufe tomándolo y sacándolo desde el extremo del enchufe del cable.
- Este producto ha sido fabricado para uso habitacional y no debe usarse para otros propósitos.
- NO lo utilice en áreas donde se almacena gasolina, pintura u otros productos inflamables.
- NO haga funcionar la unidad en el modo COOL con el tanque vacío, dado que podría causar daños en la bomba de agua.
- NO intente reparar o ajustar toda función eléctrica o mecánica del Enfriador de Aire, esto podría invalidar la garantía.
- NO cubra la entrada o salida del enfriador, esto podría dañar el motor.
- NO inserte objetos o permita el ingreso de los mismos a ninguna apertura de ventilación ya que esto podría dañar la unidad y ocasionar una descarga eléctrica o incendio.
- NO ponga en funcionamiento la unidad sin el medio de refrigeración Honeycomb, esto podría sobrecargar el y dañar el motor.
- NO deje el aparato en funcionamiento sin vigilancia durante un período prolongado de tiempo.
- NO ponga la unidad en funcionamiento si se encuentra dañada o si funciona mal. Diríjase a la sección Resolución de Problemas y contacte al Centro de Soporte al Cliente.
- Siempre coloque la unidad en un piso seco.
- NO utilice en baños o cerca del agua. NO coloque la unidad cerca de un contenedor de agua. Cuando no se utilice, guárdelo en un ambiente seco.
- Ubique siempre la unidad en una superficie seca.
- Utilice siempre las manijas laterales para mover el Enfriador de Aire.

**ADVERTENCIA:** Para reducir riesgos de incendio o descargas eléctricas, no utilice este aparato con cualquier dispositivo de control de velocidad de estado sólido.

## ¿Qué es la Enfriamiento por Evaporación?

Los Enfriadores de Aire por Evaporación Honeywell maximizan la eficiencia energética y mantiene bajos los costos de energía. El aire caliente ingresa es aspirado por el enfriador y luego ingresa al medio de refrigeración de Honeycomb. El agua bombeada desde el tanque de agua se derrama en el medio de refrigeración Honeycomb. A medida que el aire caliente pasa a través del medio de refrigeración Honeycomb, el agua absorbe el calor, enfriando y humidificando el aire de forma natural. Un ventilador impulsa el aire frío hacia la habitación. Este sistema de refrigeración sin compresión enfría de forma natural, de manera eficiente y económica.

## Mecanismo de Enfriamiento de Aire por Evaporación



El nivel máximo de humedad recomendado es 60% o menos, lo que permite un descenso de temperatura notable. La temperatura será inferior en ambientes más secos ya que hay mayor evaporación cuando el nivel de humedad es bajo.

## ATENCIÓN

Cuando se utilice el producto por primera vez, el Medio de Refrigeración Honeycomb emitirá un olor que se disipará unas horas después de su uso inicial.

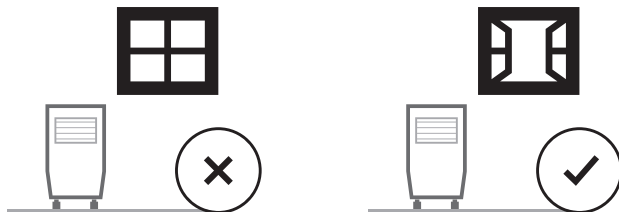
# UBICACIÓN DEL ENFRIADOR

Para máxima eficiencia, colocar el Enfriador de Aire acorde con las siguientes indicaciones:

## Interiores

Ubicar el enfriador en frente de una puerta o ventana abierta. Asegure la ventilación adecuada en el cuarto dejando una puerta o ventana abierta opuesta al enfriador.

El Enfriador de Aire por Evaporación no debe utilizarse en espacios cerrados. Debe mantenerse nivelado y debe haber agua en el tanque de agua. Abrir puertas y ventanas para permitir un flujo de aire libre. El Enfriador de Aire por Evaporación funciona mejor cuando se ubica cerca de una ventana abierta, de manera tal que el aire de afuera ingrese al enfriador, circule en el cuarto y luego salga por la puerta. El efecto de enfriamiento máximo se siente cuando una persona esta cerca del flujo de aire que sale del Enfriador de Aire por Evaporación. El Enfriador de Aire por Evaporación produce humedad y puede utilizarse para humedecer el aire seco. Si desea utilizarse para humidificar, las puertas y ventanas deberán estar cerradas.



**IMPORTANTE:** El Enfriador de Aire por Evaporación no es un aire acondicionado, ya que no utiliza un compresor o gas refrigerante. No espere que la unidad enfríe tanto como un aire acondicionado refrigerado.

## Exteriores (únicamente para modelos de exteriores)

- Utilice únicamente en toma corrientes y enchufes GFCI protegidos (sólo para EE.UU.). Presione el botón TEST y luego el botón RESET una vez al mes para asegurar una operación apropiada.
- Asegurar los cables de alimentación para evitar la desconexión.
- Proteger el cableado y las conexiones del agua. El enchufe y las conexiones del Enfriador de Aire deben estar secas todo el tiempo. Cuando se usa al aire libre, inserte el enchufe eléctrico del aire más fresco a una toma eléctrica exterior compatible IP44.
- Coloque la unidad en una superficie plana y sólida.

**IMPORTANTE:** Los modelos de Enfriadores de Aire Honeywell para exteriores son diseñados conforme a los estándares de productos IPX4, y se recomienda no colocarlos en el exterior durante una fuerte lluvia o cuando nieva.

# INSTRUCCIONES PARA EL GUARDADO Y MANTENIMIENTO

Lea las instrucciones detalladas LIMPIEZA Y VACIADO DEL TANQUE DE AGUA para su Enfriador de Aire, ubicadas en el Manual del Usuario separado. Debajo encontrará una guía general para el mantenimiento y guardado de su Enfriador de Aire.

**ADVERTENCIA: Siempre, antes de limpiar o realizar el mantenimiento de su Enfriador de Aire, apague y desenchúfelo de la fuente eléctrica.**

## Limpieza

Drene la totalidad del agua del tanque al menos una vez a la semana y cárguelo con agua fresca. Si hace esto, reducirá en gran medida los depósitos minerales y ayudará a extender la vida útil del medio de refrigeración Honeycomb.

## Fin de Temporada: Guardado

Si el Enfriador de Aire no se utilizará por un largo período de tiempo:

- Verifique que las partes estén secas poniendo en funcionamiento el modo sólo Ventilador por alrededor de 1 a 2 horas antes de guardarlo (el tiempo depende de las condiciones de humedad del ambiente).
- Apague el Enfriador de Aire y desenchúfelo del suministro de energía.
- Vacíe/ drene toda el agua del tanque. Atención: Si la unidad está conectada a un suministro de agua continuo deberá apagar el suministro de agua y quitar el tubo de drenaje antes de drenar el tanque de agua. Esta función se encuentra disponible únicamente en algunos modelos de Enfriadores de Aire Honeywell. Revise el Manual del Usuario para saber si la unidad tiene la Función Suministro Continuo de Agua.
- Limpie el tanque de agua con un trapo húmedo para remover todo el polvo o los depósitos minerales.
- Retire el medio de refrigeración Honeycomb y el Filtro para Polvo de Carbón\* del Enfriador de Aire y enjuáguelos con agua fría para eliminar el polvo y la suciedad.
- Reemplace el medio de refrigeración Honeycomb y el Filtro para Polvo de Carbón\* una vez que estén limpios y secos.
- Cuando el producto no está en uso. Use un paño húmedo para eliminar la suciedad y el polvo de la superficie de la unidad.
- Enrolle el cable de alimentación y guárdelo lejos del piso para protegerlo.
- Guarde esta unidad a temperatura ambiente en un lugar seco, lejos de la luz solar directa y / o ambientes muy calurosos, fríos o húmedos.

\* El Filtro de Polvo de Carbón está disponible únicamente en modelos específicos de Enfriador de Aires Honeywell.

Compruebe el apartado Descripción de partes del manual del usuario para ver si se incluye el filtro de polvo de carbón.

# GUÍA PARA LA RESOLUCIÓN DE PROBLEMAS

Servicio de atención a clientes: consulte la última página del manual.

PROBLEMA	POSIBLE CAUSA	SOLUCION
Sin caudal de aire.	Cable desenchufado.	Asegúrese de que el cable esté enchufado y la unidad encendida.
	Unidad apagada.	Encienda la unidad presionando el botón de encendido en el contro de panel o control remoto.
No enfría / Unidad esta haciendo ruido.	La bomba no está encendida.	Encender función FRIO desde el control remoto o panel de control.
	Cuando el modo frío está seleccionado y el nivel de agua es bajo o no hay agua.	Volver a llenar tanque de agua.
	Daño en la bomba de agua o hay depositos de calcio en tubería.	Contactar Centro de Servicio al Cliente.
Exceso de humedad en la habitación.	En modo Frío, el enfriador de aire produce humedad como resultado del sistema evaporativo. Esto es normal.	El enfriador de aire funciona mejor en climas secos. Si el nivel de humedad en el ambiente es alto (aproximado 60% o más), abstenerse de usar el enfriador de aire hasta que baje la humedad del ambiente.
		Asegurarse que la ventana/ puerta están abiertas y hay un adecuado cruce de ventilación en la habitación de tal manera que el aire humedo pueda circular mejor. NO usar la función de evaporación frío en días con alta humedad en el ambiente.
Olores.	Cuando la unidad es nueva.	Cuando el producto se usa por primera vez el medio de enfriamiento Honeycomb tendrá un olor que se disipará dentro de las primeras horas desde su primer uso.
	En condiciones muy humedas se puede formar algas o moho.	Revisar el medio de enfriamiento Honeycomb. Si observa moho o esporas en el filtro o sospecha un problema de algas, remover y reemplazar el medio de enfriamiento Honeycomb. Contactar al Centro de Servicio al Cliente para mayor información.

# GUÍA PARA LA RESOLUCIÓN DE PROBLEMAS (CONTINUA)

PROBLEMA	POSIBLE CAUSA	SOLUCION
Control remoto no trabaja.	Las baterías están viejas o no se han colocado correctamente las baterías en su compartimiento.	Reemplazar con baterías nuevas. Seguir la polaridad adentro del compartimiento.
	Control remoto dañado.	Si reemplaza con baterías nuevas en la correcta posición y el control remoto no funciona, contactar al Centro de Servicio al Cliente.
La unidad no respode.	Dañado el control de panel en el equipo.	Tratar de activar la unidad con el contro remoto. Si la unidad responde, entonces el panel de control del equipo puede tener problemas. Contactar al Centro de Servicio al Cliente.
		Si no trabaja el control remoto ni el panel de control, contactar al Centro de Servicio al Cliente.
El enfriador de aire está mojado por lluvia.	El enfriador de aire se colocó en un lugar abierto (esto es solo para modelos de enfriador de aire para lugares abiertos) está mojado por una fuerte lluvia.	Una pequeña cantidad de lluvia en la unidad no es un problema mientras el enchufe de electricidad y el contacto estén secos. Si están ambos mojados, NO TOCAR la unidad o enchufe/contacto. Apagar la corriente principal antes de desconectar la unidad del contacto eléctrico. Asegurarse que todos los contactos y enchufes esten secos antes de usarse.
		El enfriador de aire está diseñado para estándares de productos IPX4 y no es recomendado usarlo en lugares abiertos durante condiciones fuertes de lluvia. No operar el enfriador de aire cuando este mojado. Esperar hasta que el enfriador de aire seque antes de conectar y poner a funcionar nuevamente.

Las baterías contienen materiales que son peligrosos para el medioambiente; deben sacarse del aparato antes de rasparlo y de que se eliminen de forma segura.

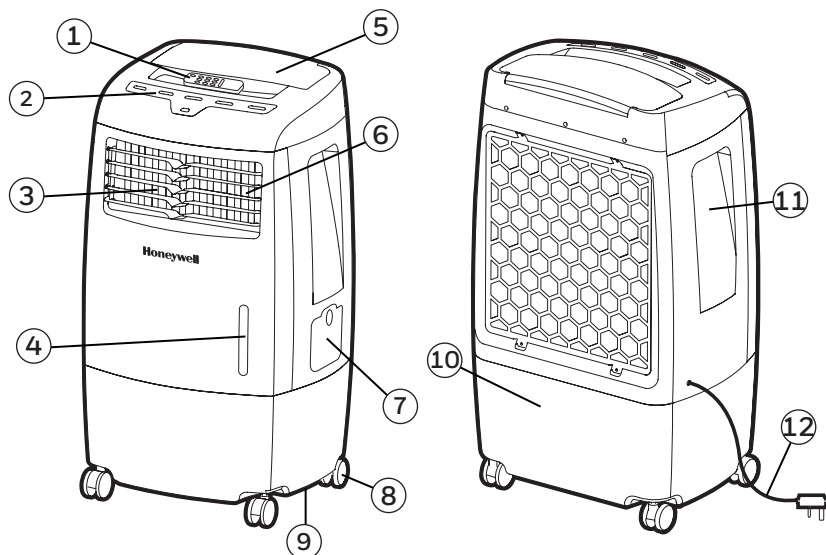


**Correcta eliminación de este producto.**

Esta marca indica que este producto no debe eliminarse junto con otros desechos domésticos en toda la E.U. Para evitar posibles daños al medio ambiente o la salud humana por la eliminación incontrolada de residuos. Recíclelo responsablemente para promover la reutilización sostenible de los recursos materiales. Para regresar su dispositivo usado, use los sistemas de devolución y recolección o comuníquese con el vendedor donde adquirió el producto. Pueden tomar este producto para un reciclaje ambiental seguro.



# DESCRIPCIÓN DE PARTES

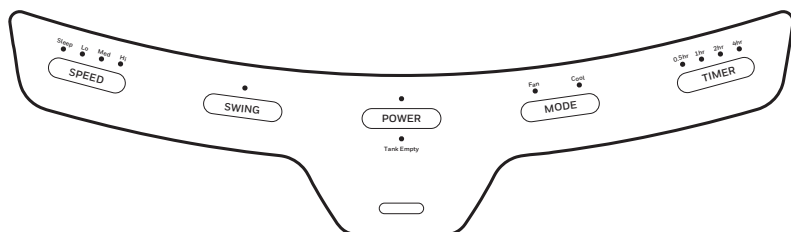


- |                               |   |
|-------------------------------|---|
| 1) Control Remoto             | 7) Puerta de Llenado de Agua                          |
| 2) Panel de Control           | 8) Ruedas   |
| 3) Persianas Horizontales     | 9) Tapón de Agua                                      |
| 4) Indicador de Nivel de Agua | 10) Tanque de Agua                                    |
| 5) Ice Compartment Lid        | 11) Manija  |
| 6) Vertical Louvers           | 12) Power Cord & Plug Cable de Alimentación y Enchufe |

**ADVERTENCIA-- LEA Y GUARDE LA GUIA DE MANTENIMIENTO Y EL MANUAL DE INSTRUCCIONES ANTES DE USAR ESTE PRODUCTO. EL INCUMPLIMIENTO DE ESTAS INSTRUCCIONES PUEDE DAÑAR Y / O PERJUDICAR SU FUNCIONAMIENTO E INVALIDAR LA GARANTÍA. EN CASO DE EXISTIR ALGUNA DISCREPANCIA O CONFLICTO, EN EL CONTENIDO DE ESTE MATERIAL, ENTRE LA VERSIÓN EN INGLÉS Y LA VERSIÓN EN CUALQUIER OTRO IDIOMA PREVALECERÁ LA VERSIÓN EN INGLÉS.**



## PANEL DE CONTROL



## BOTONES DE FUNCIONES

### POWER (ENCENDIDO / APAGADO)

Presione el botón POWER para encender la unidad. El enfriador comenzará automáticamente a funcionar a velocidad media. Después de unos segundos la velocidad cambiará a baja. Para apagar la unidad, presione el botón nuevamente.

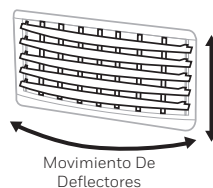
### SPEED (VELOCIDAD)

Presione el botón de SPEED repetidamente para cambiar la velocidad entre Baja - Media - Alta - Nocturno/ Variable.

Cuando se selecciona el modo NOCTURNO/ VARIABLE, el ventilador funcionará en velocidad Alta durante una hora, luego Media durante la segunda hora y Baja desde la tercera hora en adelante hasta que apague la unidad.

### SWING (OSCILACIÓN)

Pulse el botón SWING hasta que el indicador LED se ilumina en la pantalla. Las rejillas comenzarán a moverse de izquierda a derecha de forma automática. Flujo de aire vertical - Se puede ajustar manualmente los deflectores verticales para cambiar el flujo de aire vertical.



Movimiento De Deflectores

### MODE (MODO)

Pulse el botón MODE para seleccionar los modos COOL (Frio) y FAN (Ventilador). Presione el botón MODE, la luz indicadora COOL se iluminará indicando que el enfriamiento evaporativo está funcionando. La bomba de agua funcionará y comenzará a sentir aire fresco después de que el filtro de enfriamiento está completamente mojado.

Al pulsar MODE hasta que se ilumine VENT, cambia la actividad de la unidad a modo sólo ventilador, sin refrigeración por evaporación.

## BOTONES DE FUNCIONES (CONTINUACIÓN)

### TIMER (TEMPORIZADOR)

Presione el botón TIMER hasta seleccionar la cantidad de tiempo deseado. Cuando el tiempo establecido haya transcurrido, la unidad se apagará automáticamente (la unidad permanece en modo de espera -Standby- hasta que se desenchufe el cable de alimentación de la toma eléctrica). La función TEMPORIZADOR le permite programar la unidad hasta 7,5 horas de uso.

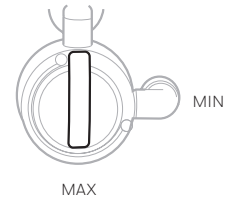
## ENFRIAMIENTO DE AMBIENTE Y HUMIDIFICACIÓN

En modo FRÍO, los enfriadores Honeywell entregan aire hidratado a través de la evaporación de agua. Hay un control manual de regulación de agua ubicado en el compartimento de hielo de la unidad. Esto le permite ajustar la cantidad de agua bombeada en el filtro de enfriamiento, lo que ayuda a controlar los niveles de enfriamiento y humidificación.

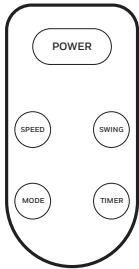
Cuando el regulador de agua se establece en MIN, la bomba de agua distribuye una cantidad mínima de agua al filtro de enfriamiento Honeycomb. Esto se traduce en menos evaporación de agua y reduce el efecto de enfriamiento.

Cuando el regulador de agua se establece en MAX, la bomba de agua distribuye la cantidad máxima de agua al filtro de enfriamiento Honeycomb. Esto se traduce en la máxima evaporación del agua y el rendimiento de enfriamiento mejora. *results in maximum water evaporation and the cooling performance improves.*

Regulador de Agua



## CONTROL REMOTO



POWER (Encendido)	: Encendido/ Apagado
SPEED (Velocidad)	: Baja / Media / Alta / Variable
MODE (Modo)	: Controla la opción refrigeración o ventilador
SWING (Oscilación)	: Controla el movimiento de los deflectores
TIMER (Temporizador)	: Control de función de apagado automático

### NOTA:

- El control remoto requiere 2 pilas AAA (2 x 1.5V) para su reemplazo.
- Abra el compartimento para pilas en la parte de atrás del control remoto e inserte las pilas. Asegúrese de colocar la pila de acuerdo a la polaridad correcta (+ / -) indicada dentro del compartimento para pilas.
- Siempre apunte el transmisor de señal del control remoto hacia la unidad cuando se opera. Asegúrese de que la ruta de la señal no esté obstruida.
- Retire las pilas si la unidad no se va a utilizar durante un período prolongado de tiempo.
- No deje caer el control remoto.
- No mezcle diferentes tipos de pilas, alcalinas, de carbono-zinc, o pilas recargables.
- No mezcle pilas nuevas con viejas.
- No recargue la batería.
- Las baterías agotadas deben ser removidas del producto y desechadas de forma segura de acuerdo a las regulaciones locales.
- No arrojar las baterías al fuego. Las baterías podrían explotar o derramarse.

**ADVERTENCIA:** Peligro de ingestión de la batería pequeña. Manténgala alejada de niños y animales.

## UBICACIÓN DEL ENFRIADOR

Asegúrese de colocar el enfriador de aire correctamente antes de configurar y empezar a usar el producto. Por favor, consulte la sección UBICACION DEL ENFRIADOR (IMPORTANTE PARA LEER) de la Guía de seguridad y de mantenimiento separada.

## LLENADO CON AGUA

### PRECAUCIÓN:

Desenchufe la unidad de la toma de corriente eléctrica antes de vaciar o llenar el depósito de agua.

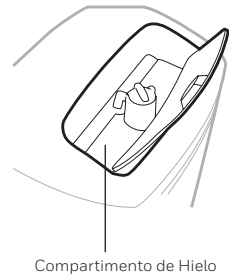
Abra la puerta de llenado de agua ubicada en el costado de la unidad.

El indicador de nivel de agua está ubicado en la parte frontal de la unidad. Recargue el tanque de agua cuando el nivel de agua está bajo. No colocar agua por encima de la marca de "Max" del indicador de nivel de agua. Revise el nivel de agua en el tanque antes de poner en funcionamiento el modo Frío.

**Nota:** La capacidad de agua se refiere a la cantidad total que el depósito de agua y el sistema de distribución del enfriador pueden contener. La capacidad del depósito en nivel MAX puede estar por debajo de la capacidad de contención real del enfriador.

**Nota:** Si hay hielo disponible puede agregar hielo en el compartimento de hielo para mejorar el rendimiento de la refrigeración.

**ADVERTENCIA:** No llenar con agua sucia o salada. Esto puede dañar la unidad y el panel Honeycomb.



## ALARMA DE BAJO NIVEL DE AGUA

La unidad está equipada con un sensor de bajo nivel de agua. En modo Frío, cuando el tanque de agua está por debajo del nivel mínimo, UD escuchará la alarma y un LED indicador parpadeará continuamente. La unidad dejará de funcionar en modo enfriamiento evaporativo automáticamente.

Vuelva a llenar el tanque de agua para desactivar la alarma en el modo de Frío. Primero apague la unidad y desenchufe desde la toma de corriente. Llene el depósito de agua con agua por encima de la marca de nivel mínimo de agua. Conecte y encienda de nuevo.

Para desactivar la alarma y continuar usando la unidad como un ventilador (sin refrigeración por evaporación), apague la unidad y vuelva a encenderla. La alarma de bajo nivel de agua no funciona en modo sólo ventilador. La alarma de bajo nivel de agua volverá a sonar si la función Frío se activa mientras que el tanque de agua sigue vacío.

## LIMPIEZA Y VACIADO DEL TANQUE DE AGUA

A continuación se presentan las instrucciones para limpiar y mantener el Enfriador de aire. Si el Enfriador no se usa por un largo período de tiempo, por favor, consulte las instrucciones de almacenamiento y mantenimiento situadas en la Guía de seguridad y de mantenimiento separada.

### **ADVERTENCIA:**

Antes de limpiar la unidad, apague la unidad y desconecte de la toma de corriente.

- Mueva la unidad a un lugar donde el agua pueda ser drenada. Retire el tapón de drenaje situado en la parte inferior de la unidad. Permita que el tanque se vacíe.
- Vuelva a llenar el tanque de agua con agua limpia hasta el nivel máximo y drene completamente.
- Use un paño húmedo para eliminar la suciedad y el polvo de la superficie de la unidad. Nunca utilice elementos corrosivos o productos químicos para limpiar este producto.
- Cuando el producto no está en uso, almacene la unidad en un lugar seco fuera de la luz solar directa.

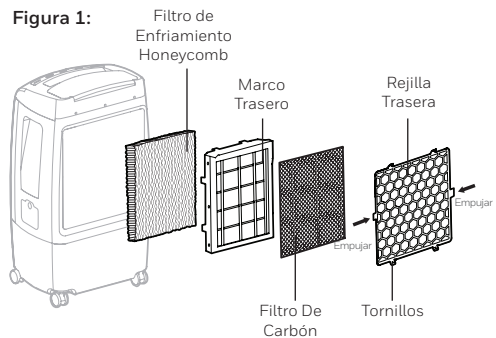
## LIMPIEZA DEL FILTRO DE CARBÓN Y FILTRO DE ENFRIAMIENTO HONEYCOMB

- El aparato se suministra con un filtro de polvo de carbón y un filtro de enfriamiento Honeycomb.
- El filtro de carbón y filtro de enfriamiento Honeycomb se encuentran dentro de la rejilla posterior. (véase la figura 1) y consulte a continuación obtener instrucciones sobre la manera de sacarlos de la unidad para la limpieza y el mantenimiento.
- No haga funcionar la unidad en modo FRIO con agua estancada en el tanque. Debe vaciar el depósito de agua y volver a llenarlo con agua, sobre todo si el tanque no se ha limpiado en mucho tiempo.
- La frecuencia de limpieza de los filtros de enfriamiento Honeycomb depende de las condiciones del aire y del agua local. En las zonas donde el contenido mineral del agua es alto, depósitos minerales pueden acumularse en los filtros de enfriamiento Honeycomb y restringir el flujo de aire. El vaciado del depósito de agua y el rellenado de agua fresca por lo menos una vez por semana le ayudará a reducir los depósitos de minerales. Si los depósitos minerales permanecen en el filtro de enfriamiento Honeycomb, los filtros de enfriamiento deben ser retirados y lavados con agua fresca. Los medios de enfriamiento deben limpiarse cada dos meses, o antes, dependiendo de sus necesidades.
- Para obtener los mejores resultados y cuidar el filtro de enfriamiento Honeycomb, deje secar después de cada uso desactivando la función de frío 15 minutos antes de apagar la unidad.

### Extracción del filtro de carbón para polvo / filtro de enfriamiento Honeycomb:

1. Remueva todos los tornillos de la rejilla posterior del Enfriador.
2. Tire cuidadosamente de la rejilla posterior del Enfriador.
3. Saque el filtro de carbón y limpie con agua según sea necesario.
4. Para sacar el Medio Honeycomb retire el Marco Trasero y deslice el Honeycomb fuera del marco.
5. Reemplace o limpie con agua y un paño húmedo cuando sea necesario.

**ADVERTENCIA:** NO opere el enfriador de aire cuando la rejilla trasera o marco trasero se retira del enfriador de aire, o si la rejilla o marco trasero están sueltos. Si lo hace, puede causar lesiones graves o una descarga eléctrica peligrosa.



**ES**

Hecho en China  
© 2022 JMATEK Limited. Todos los derechos reservados.  
La marca Honeywell es usada bajo licencia de Honeywell International Inc. Honeywell International Inc. no representa ni garantiza este producto.  
Este producto es fabricado por Airtek Int'l Corp. Ltd. (subsidiaria de JMATEK Limited).

**FR**

Fabriqué en Chine  
© 2022 JMATEK Limited. Tous droits réservés.  
La marque déposée Honeywell est utilisée en vertu d'une licence de Honeywell International inc.  
Honeywell International inc. ne fait aucune déclaration et ne donne aucune garantie à l'égard de ce produit.  
Ce produit est fabriqué par Airtek Int'l Corp. ltée (une filiale de JMATEK Limited).

**EN**

Made in China  
© 2022 JMATEK Limited. All rights reserved.  
The Honeywell Trademark is used under license from Honeywell International Inc.  
Honeywell International Inc. makes no representations or warranties with respect to this product.  
This product is manufactured by Airtek Int'l Corp. Ltd. (subsidiary of JMATEK Ltd.).

**JMATEK North America LLC**  
Mahwah, New Jersey 07495 USA  
Email: [usinfo@jmatek.com](mailto:usinfo@jmatek.com)  
Web: [www.jmatek.com](http://www.jmatek.com)

**Honeywell**