



IMPORTANT - READ ALL INSTRUCTIONS BEFORE YOU BEGIN

THE INSTRUCTIONS HEREIN SHOULD BE PERFORMED BY A QUALIFIED SERVICE TECHNICIAN. THE APPLIANCE MUST BE COMPLETELY COOL AND THE GAS SOURCE MUST BE SHUT OFF.

THE POWER MUST BE DISCONNECTED.

Some parts inside your grill or side burner have sharp edges. Care must be taken when handling the various components to avoid personal injury. Wear gloves when handling.

TOOLS REQUIRED:

Flat and Phillips screwdrivers
7mm or 9/32" wrench
Adjustable wrench



WARNING

IF THE INFORMATION IN THIS MANUAL IS NOT FOLLOWED EXACTLY, A FIRE OR EXPLOSION MAY RESULT CAUSING PROPERTY DAMAGE, PERSONAL INJURY, OR DEATH.



WARNING

Flammable Gas - disconnect all propane or natural gas supplies to this unit before servicing.



WARNING

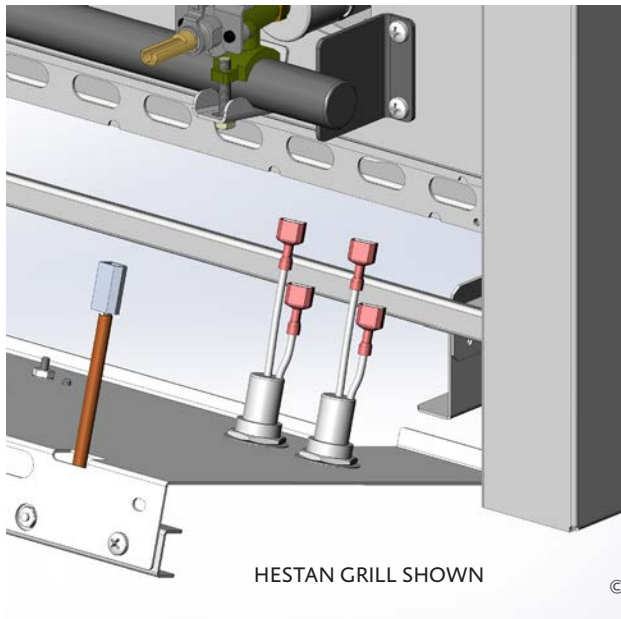
Electrical Parts & Components – disconnect all power supplies and batteries before servicing.

READ THIS MANUAL CAREFULLY AND COMPLETELY BEFORE USING YOUR APPLIANCE TO REDUCE THE RISK OF FIRE, BURN HAZARD, OR OTHER INJURY. KEEP THIS MANUAL FOR FUTURE REFERENCE.

PART REPLACEMENT - GRILL



1. MAKE SURE THE POWER IS OFF!! Remove the drip pan and control knobs, then remove the screws securing the control panel and carefully tilt down as seen below. Pull off the wires to the switches as seen below. Please note the black wires have the work "ROTIS" printed on the wire and also feature a red sticker which says **110V**. The white wires have the word "LED" printed on them and go to the LIGHTING switch. Also pull apart the molded plastic connector for the LED light bar at this time. Remove the control panel and set aside.

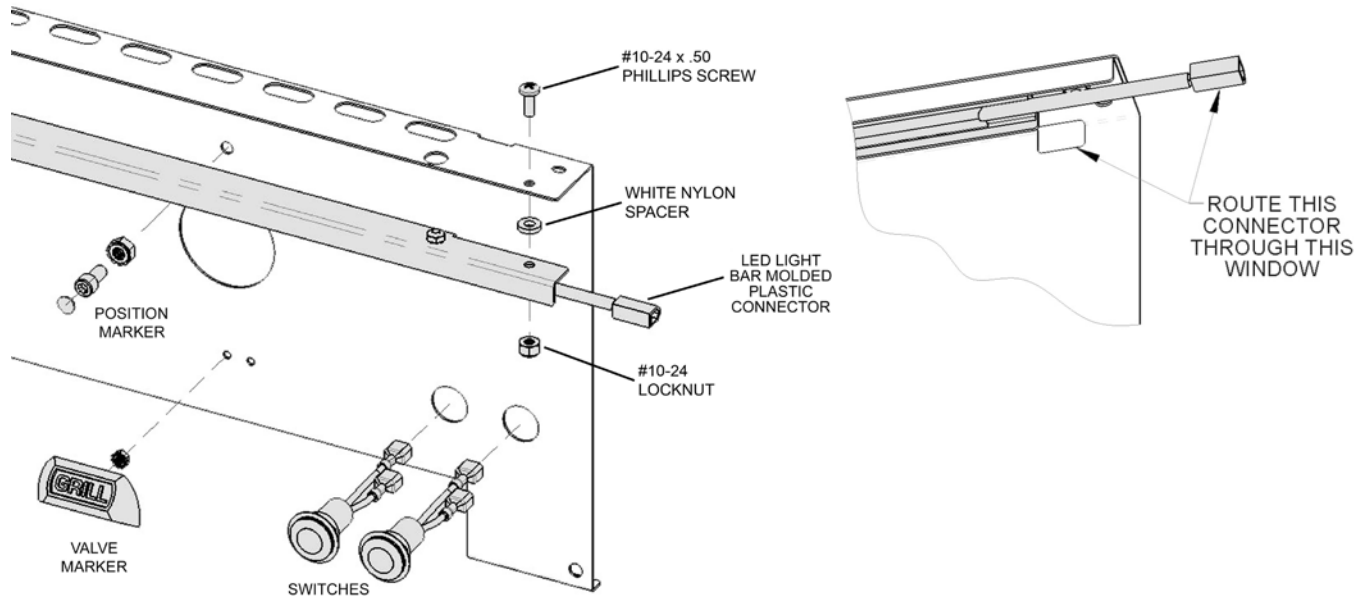


HESTAN GRILL SHOWN



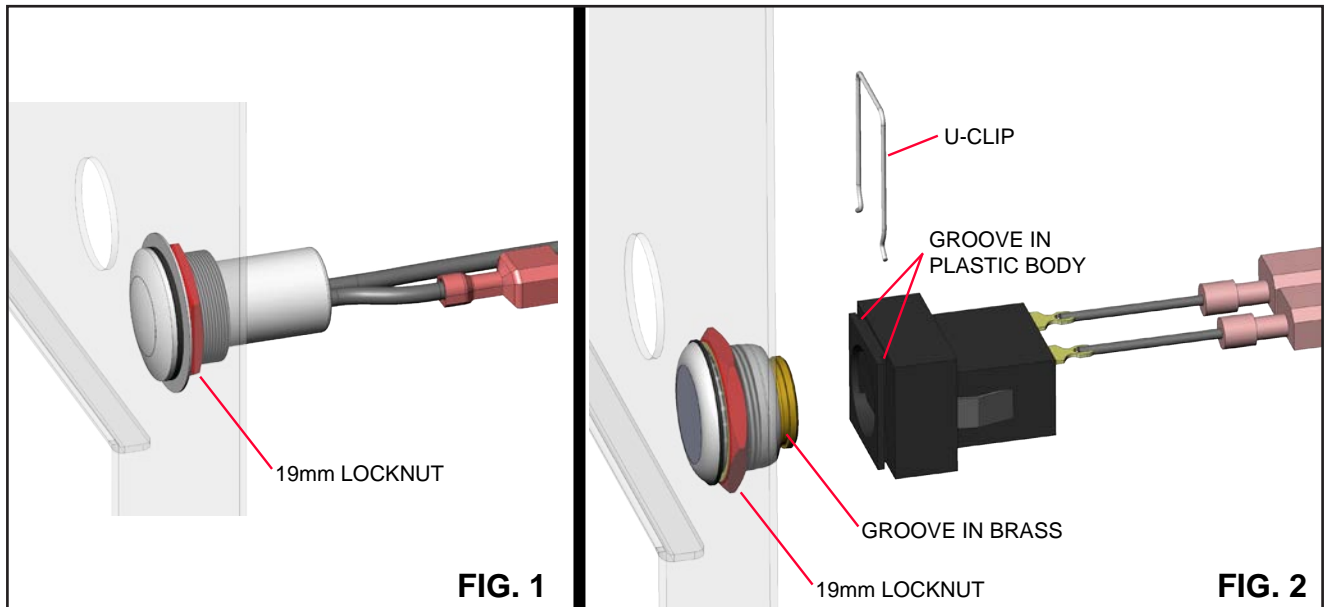
PART REPLACEMENT - GRILL (CONTINUED)

1. With the control panel removed from the unit, you may disassemble the valve markers, position markers, switches and LED light bar as shown below. Reassemble these parts to your new colored panel. Pay special attention to the nylon spacer between the light bar and the panel. This protects the light bar from heat. Route the molded plastic connector through the little "window" as shown.



2. Your Hestan Grill or Side Burner may have an older switch like the one in Fig. 1 below. Use an adjustable wrench to remove/install the 19mm locknut (shown in red) behind the control panel.

If your unit has the new switch like the one in Fig. 2, use a flat-blade screwdriver to pry up the U-clip. This will detach the plastic switch body from the button portion of the switch. Use an adjustable wrench to remove/install the 19mm locknut (shown in red) behind the control panel. Reassemble the switch body to the button portion and align the groove in the brass with the groove in the plastic body, insert the U-clip and press in until it fully snaps in.



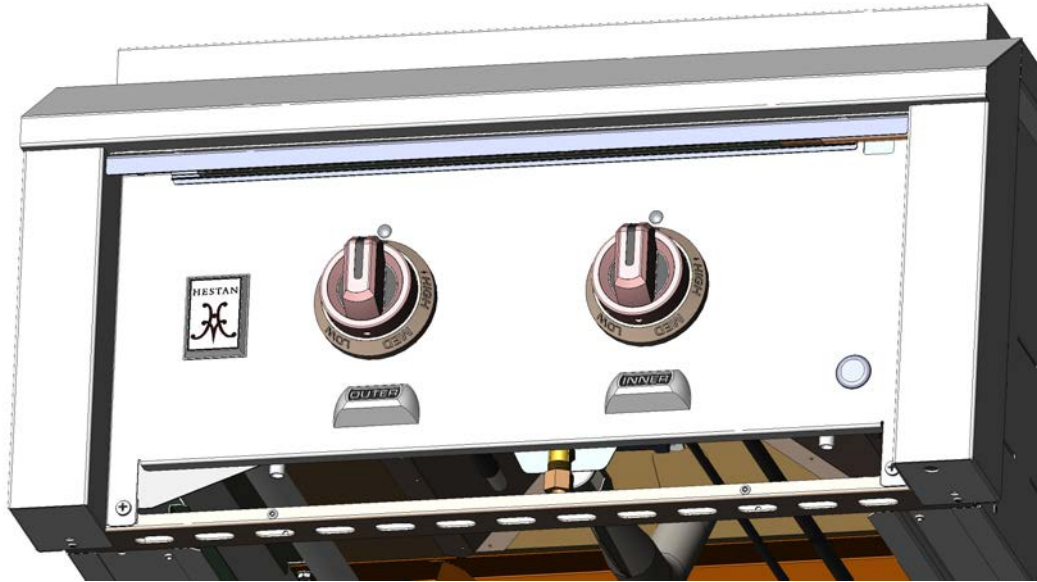
3. With everything reinstalled on your new control panel, you may now reattach the various wire connectors and reinstall the panel to the unit. Be sure you attached the correct wires to the correct switch (Lighting / Rotiss Motor).

PART REPLACEMENT - POWER BURNER



1. MAKE SURE THE POWER IS OFF!! Remove the control knobs and drip pan. The remainder of the process is similar to the grill. Pull off the wires to the switch, and the molded plastic connector for the LED light bar. Remove the control panel and set aside.

EN

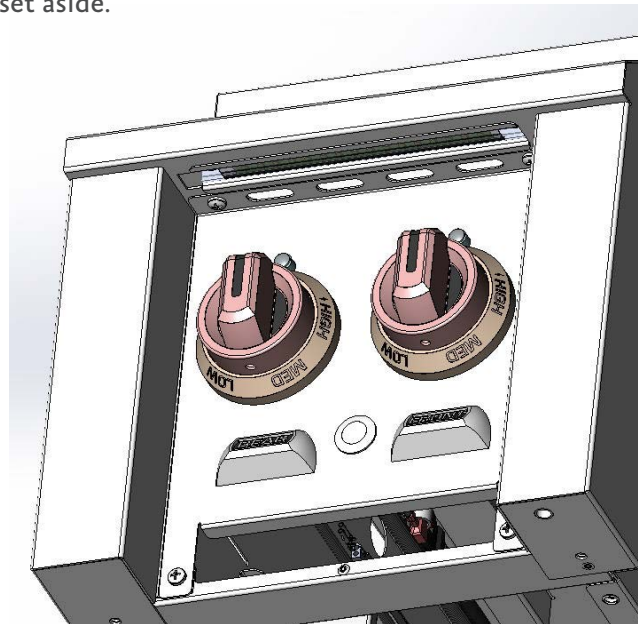


2. Much like the grill, you will need to disassemble and transfer the valve markers, the switch, and the LED light bar from the old panel to the new. See previous section for details.

PART REPLACEMENT - SIDE BURNER



1. MAKE SURE THE POWER IS OFF!! Remove the control knobs and drip pan. Then remove the 4 screws securing the control panel and carefully tilt down. Pull off the 2 wires to the switch. Remove the control panel and set aside.



2. The Side burner only has a switch attached to the panel. Follow the same procedure to remove and replace the switch, valve markers, and position markers as seen in the previous section for the Grill.