



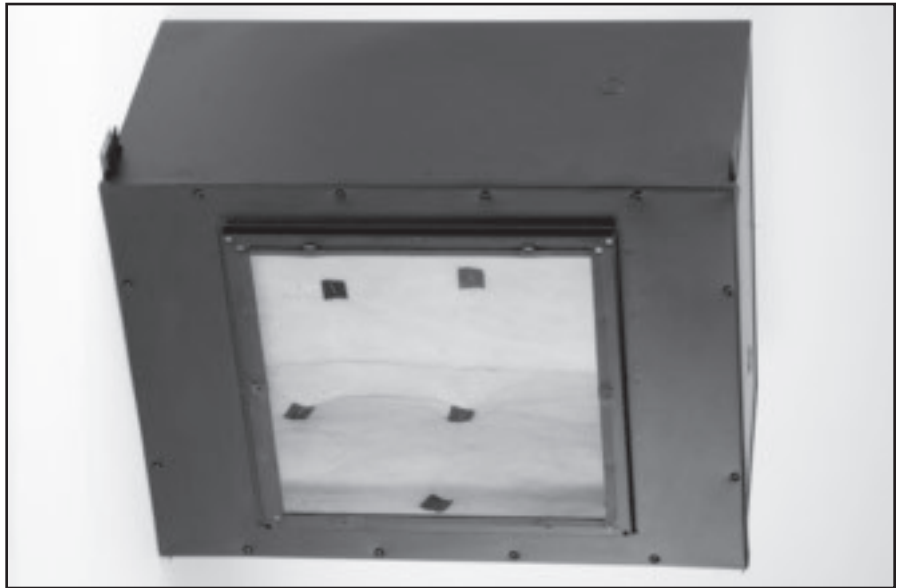
MTC-300BB12

3 Cubic Foot Backbox
for Control 300 Series
12" Drivers

Professional Series

Key Features:

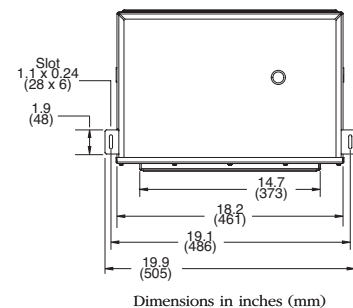
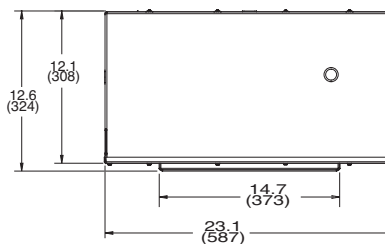
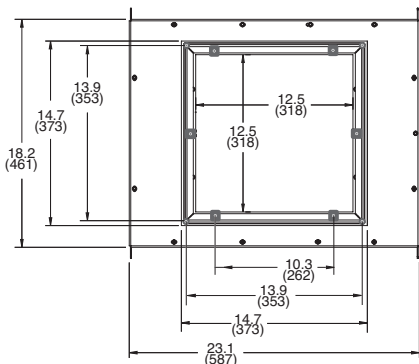
- ▶ Extra-thick 16 gauge metal construction.
- ▶ Lined with 12 mm (½ inch) thick MDF to eliminate resonances and to provide extra bass response.
- ▶ Knockouts on top and all four sides.
- ▶ Dual mounting system for baffle.
- ▶ Mounting platform for an optional high-power 70V/100V transformer.



Specifications:

External Volume:	3 cu ft, nominal
Internal Volume:	2.4 cu ft.
Knockouts:	22.1 mm (0.87 in) diameter opening Five (5) locations: 1 on top panel 1 on each side and end panel
Dimensions (Height):	308 mm (12.1 in) above ceiling 324 mm (12.6 in) total height
(Width):	587 mm (23.1 in)
(Depth):	461 mm (18.2 in) cabinet 505 mm (19.9 in) including side tabs
(Ceiling Cut Out):	378 x 378 mm (14.9 x 14.9 in)
Safety Agency Rating:	Suitable for use in air handling spaces, per U.L.-2043, U.L.-1480, NFPA90 & NFPA70A
Net Weight:	20.6 kg (45.5 lbs)
Shipping Weight:	23.1 kg (51 lbs)
Included Accessories:	4 pcs M4 x 14 mm machine screws for one system of mounting baffle to backbox. 6 pcs #10 x 0.75 inch metal screws for another system of mounting baffle to backbox. 4 pcs M4 nuts for optional transformer mounting

Dimensions:



JBL continually engages in research related to product improvement. Changes introduced into existing products without notice are an expression of that philosophy.

Dimensions in inches (mm)

► Control 300 / MTC-300BB12 Backbox Assembly

MTC-300BB12 is compatible with two common mounting systems for installing the loudspeaker/baffle to the backbox. Either of these mounting systems may be utilized. Begin by cutting a 14.9 x 14.9 inch (378 x 378 mm) hole in the ceiling to allow sufficient room for the loudspeaker baffle.

Baffle Mounting Option #1

6 pcs #10 x 0.75 inch Sheet Metal Screws

Use with Backbox's 6 Speed Nuts (also called Clip Nuts or Tinnerman Nuts), shown at right.



1 Point at Each End

6 pcs - #10 x .75 in (19 mm) sheet metal screw for attaching the driver / baffle to the back box. Match to clip nuts on back box.



2 Points Each Side

IMPORTANT!

See "Securing Loudspeaker Assembly to the Building Structure."

4 pcs - M4 x 38 mm powder coated machine screws for attaching the metal grille to the baffle. (Included with JBL Professional grilles.)



Baffle Mounting Option #2

4 pcs 4 mm x 14 mm Threaded Machine Bolts

Use with Backbox's four Threaded Insert Points, shown at right.



1 Point Each Corner

4 pcs - M4 x 14 mm sheet metal screw for attaching the driver / baffle to the back box. Match to corners on back box.



IMPORTANT: SECURING THE LOUDSPEAKER ASSEMBLY TO THE BUILDING STRUCTURE

The backcan **MUST** be secured to the building structure by qualified personnel in accordance with safe installation practices. Use suspension materials, connection fixturing, and methods that are appropriate for the building structure and installation conditions. Employ a minimum 5:1 safety factor for each suspension point, or higher if required by code. For MTC-300BB12 with a Control 321C/CT, 322C/CT or 312CS, a 5:1 safety factor requires that each suspension point be rated to support a minimum of 156 kg (345 lbs).

Mounting Location for Optional Transformer

A mounting platform for an optional high-power 70V/100V transformer is provided inside the backbox, on one of the side walls. The four mounting studs are "M4 x 12 mm" and are spaced at 2.8 x 2.7 in (70 x 67 mm).



JBL Professional
8500 Balboa Boulevard, P.O. Box 2200
Northridge, California 91329 U.S.A.

■ A Harman International Company
© Copyright 2007 JBL Professional

SS MTC300BB12
CRP 5M
07/07