

Technical Manual



JBL C62P/-WH

SPECIFICATIONS

ACOUSTIC & ELECTRICAL SPECIFICATIONS:

- Rated Impedance: 16 Ohms (no transformer taps)
- Power Capacity: 50W Continuous Program Power (2 hrs)
25W Continuous Pink Noise (2 hrs)
30W Continuous Program Power (100 hrs)
15W Continuous Pink Noise (100 hrs)
- Frequency Response: 150 Hz - 20 kHz (-10 dB)
- Frequency Range: 200 Hz -17 kHz (+3 dB)
- Rated Maximum SPL: 97 dB continuous pink noise, 103 dB peak @ 1 meter
- Nominal Sensitivity: 87 dB (4.0 V, 1W)
84 dB (2.83V)

SYSTEM COMPONENTS:

- Cabinet: Enclosure (Not for Sale)
- Grille: 444992-001, 444992-002 (WH)
- Low Frequency Driver: 60 mm (2.5 in) polypropylene-coated paper with pure butyl rubber surround, 20 mm (3/4 in) copper clad aluminum voice coil with vented Nomex® coil-former

SYSTEM COMPONENTS: (CONT'D)

- DC Resistance: 12.2 ohm ± 10%
- PCB Input Connector: 445017-001

AURAL SWEEP TEST SPECIFICATIONS:

- A. System Aural Sweep Test: 4V Input, 150 Hz - 20 kHz
- B. L.F. Aural Sweep Test: 4V Input, 100 Hz - 20 kHz

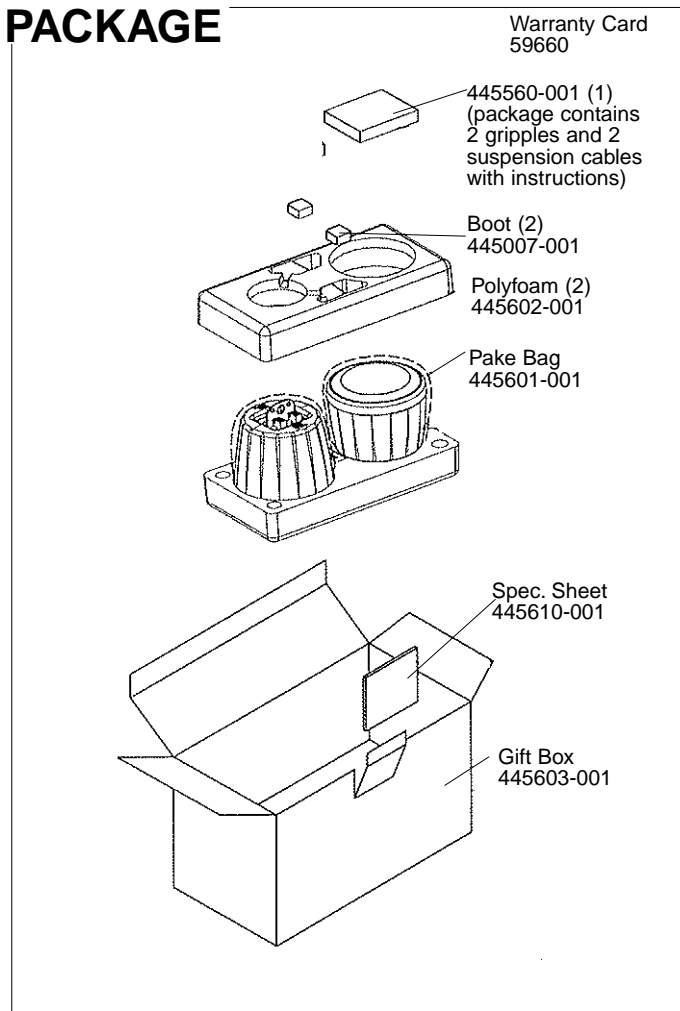
PHYSICAL SPECIFICATIONS:

- Enclosure Dimensions: 128 mm (5.1 in) diameter x 121 mm (4.8 in) height to top of cabinet.
141 mm (5.6 in) to top of suspension bracket
- Net Weight: 1.5 lb (0.7 kg)

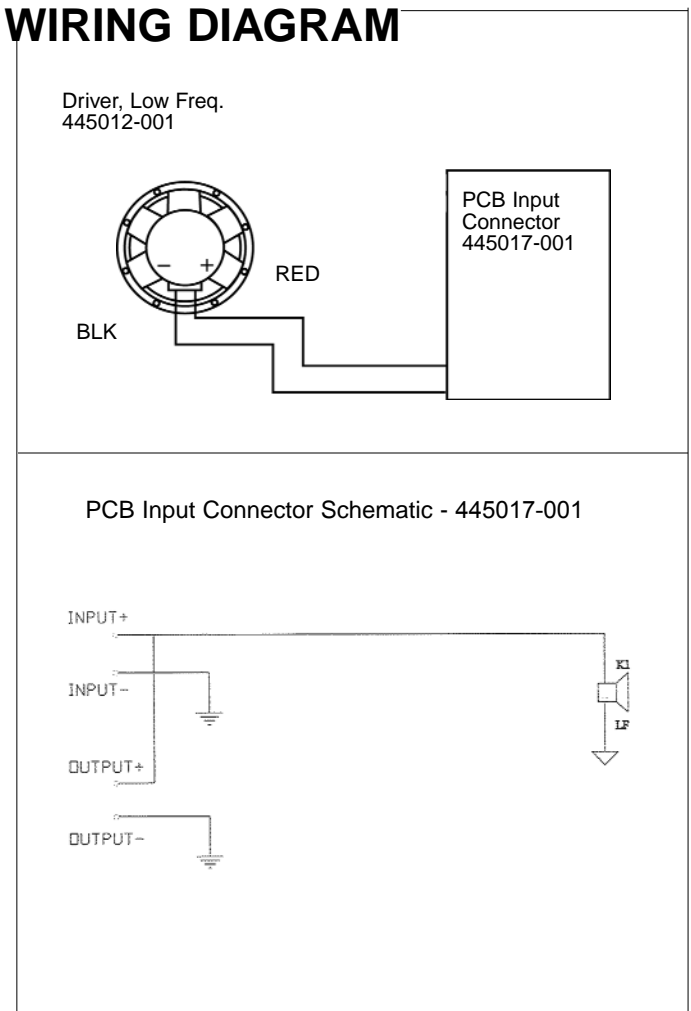
WARRANTY INFORMATION:

- Refer to Warranty Statement packed with each product.

PACKAGE



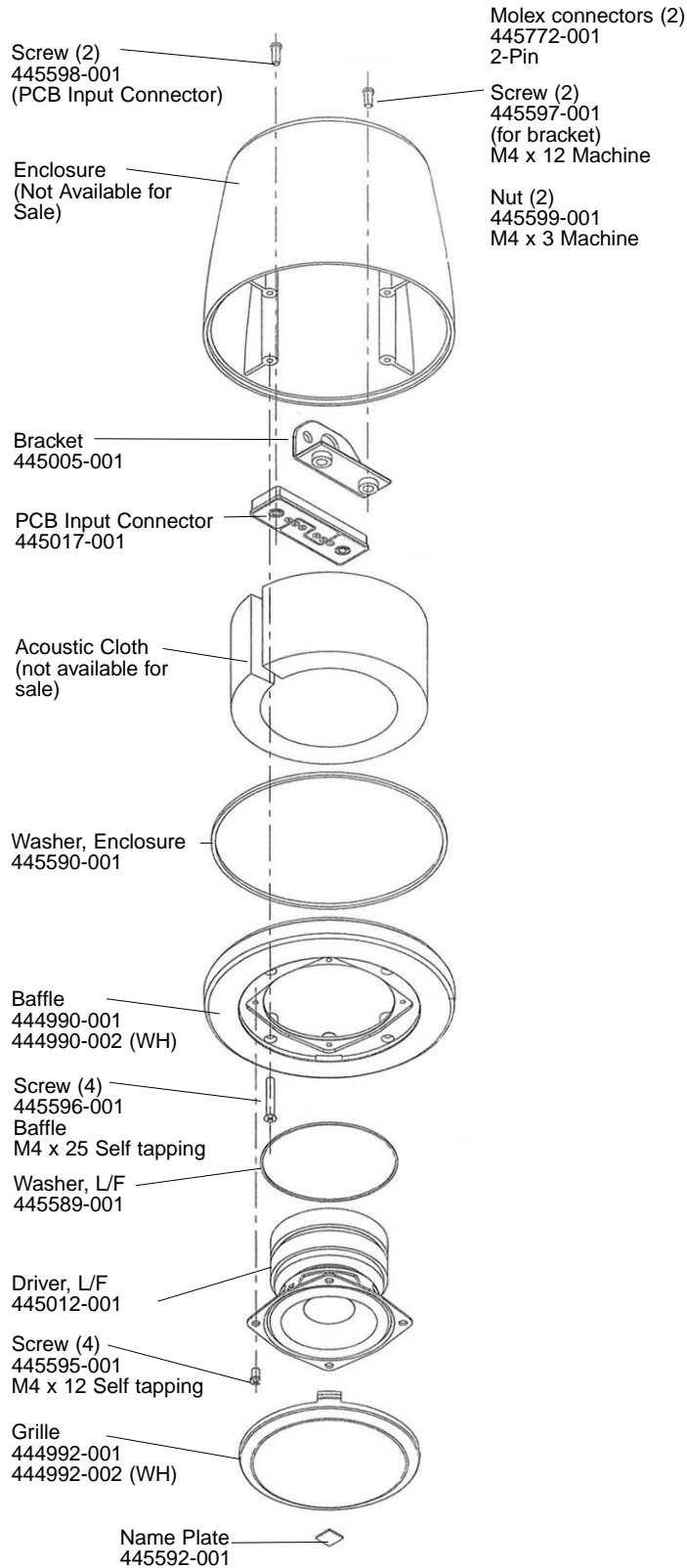
WIRING DIAGRAM



JBL C62P/-WH REV C

JBL C62P/-WH

COMPONENT EXPLODED VIEW



JBL C62P/-WH