

Outdoor Furniture



IMPORTANT

If you have any problems with this product (missing or damaged parts, assembly issues, etc.),

PLEASE DO NOT RETURN TO THE RETAILER/STORE

where you purchased the product.

Please call our Toll-Free Customer Service Hotline at: **1-866-988-3300**

Between 8:00 AM and 5:00 PM Pacific Standard Time, Monday through Friday

To expedite any future warranty claims, please retain the instruction sheet, warranty card and receipt for future use.

Care and Maintenance

Store furniture in an upright position. Be careful not to allow water to build up in frames, as this will cause corrosion and freeze damage in cold climates. Wash all frames with a solution of mild soap and water. Rinse with clean water and dry with a soft absorbent cloth towel. Frames can be treated with a liquid wax for maximum protection against UV rays and/or salty, damp air. If your set includes cushions, slings, and/or an umbrella, they may be cleaned by hand with a solution of soap and water with a clean water rinse. (Never machine wash cushions, slings or umbrella covers as this will result in shrinkage or damage). After cleaning cushions, tip on end and allow to drip dry. (Never use a commercial or home dryer to tumble dry fabric goods). Do not use bleach or solvents to clean any product! This will void the warranty.

Outdoor Furniture

1-Year Limited Warranty Program

For a period of one (1) year after date of purchase, the Manufacturer will either repair or replace defective components in accordance with this Limited Warranty. This warranty is between the Manufacturer and the original purchaser and is valid only when accompanied by the original purchaser's sales receipt showing original date of purchase and location of purchase. Replacements under this warranty revert back to the date of original purchase for future warranty.

The Manufacturer or its authorized dealer can accept or reject warranty claims based on its findings. This warranty applies in normal residential use only and is not intended for commercial use. The Manufacturer can make substitutions as required of materials, components, and sub-components of comparable value and utility. This warranty is limited to product repair or replacement (to be determined solely by the Manufacturer). Warranty return is limited to only the single affected component.

This limited warranty covers only manufacturing defects and does not cover normal wear and tear, damage due to acts of nature (such as, but not limited to freezing or high winds), abuse or misuse, including chemical damage from suntan oil or other chemicals, exposure to extreme heat or cold, abrasion or excessive weight. This product is intended to be used in standard installations only. This warranty is void if the product is not used for its intended purpose. The Manufacturer disclaims liability for any aspect of installation and any inconvenience caused by a defective part of a component.

Certain items are not covered by this warranty. These include, but are not limited to the following:

1. Components subjected to abuse, including abuse intended to simulate failure.
2. Damages caused by retailer, shipper or installation crew (such as scratches, dents, tears, chips, etc.).
3. Any part that merely exhibits normal wear yet functions essentially as new, including chips, scratches or stretching of materials and stitching.
4. Tears, punctures, scratches or any damage caused by improper installation or use.
5. Damage to frames/welds resulting from improper assembly or exposure to water and/or sub-freezing temperatures is not covered. General frame rusting is not covered.
6. Fading and/or discoloration of fabrics/cushions/straps/wicker resulting from exposure to the elements, chemicals, oils, fluids or any other cause are not covered.
7. Umbrella bases are not covered under any circumstances.
8. Items sold "as is" or floor models.

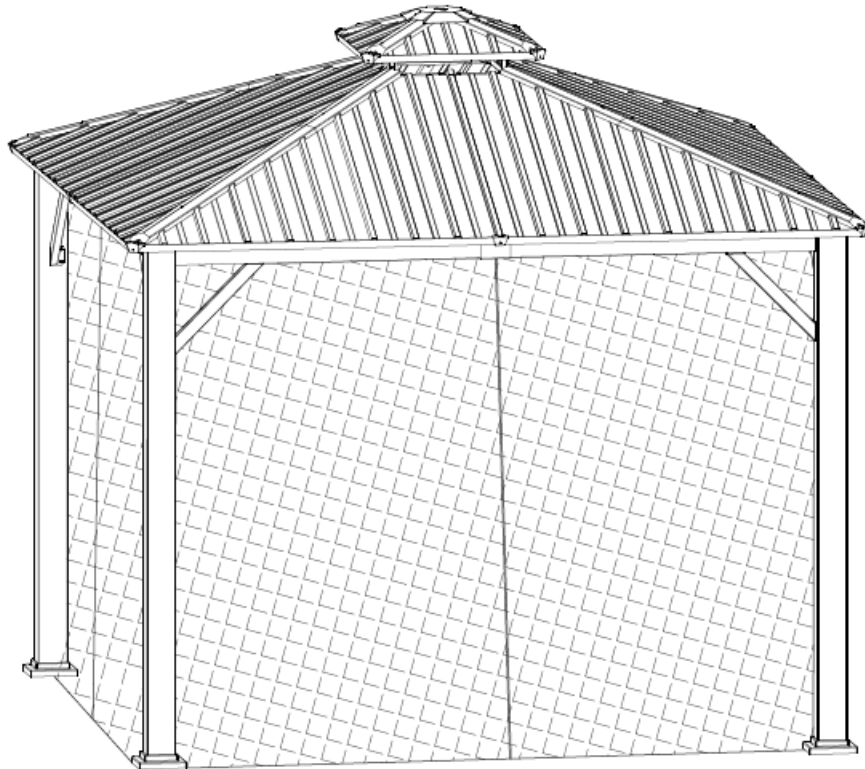
To make a claim, call the toll-free number below. Please have available a copy of the original sales receipt along with a brief description of the problem. Please also provide your email address and daytime telephone or cell phone number. All items may be charged actual freight costs plus \$15 for handling. Repairs or replacement will be made at the Manufacturer's option. ***Sales and use taxes, plus shipping and handling charges are the responsibility of the consumer.***

THIS IS THE ENTIRE EXCLUSIVE EXPRESS LIMITED LIABILITY. THE MANUFACTURER NEITHER MAKES NOR IS RESPONSIBLE FOR ANY OTHER WARRANTIES, EITHER EXPRESS OR IMPLIED, INCLUDING THOSE OF RETAILING DEALERS. THIS EXCLUSIVE REMEDY IS LIMITED TO RECEIPT OF A CREDIT IN CONNECTION WITH THE REPAIR OR REPLACEMENT OF ANY PRODUCT OR COMPONENT DEEMED TO BE DEFECTIVE UNDER THE TERMS AND CONDITIONS AS STATED IN THIS WARRANTY. NEITHER THE PRODUCT MANUFACTURER NOR ITS AGENTS SHALL BE LIABLE IN ANY CASE FOR INCIDENTAL, INDIRECT, SPECIAL OR CONSEQUENTIAL DAMAGES RESULTING FROM THE USE OF THIS PRODUCT OR ARISING OUT OF ANY BREACH OF THIS WARRANTY OR NEGLIGENCE EVEN IF IT HAS BEEN ADVISED OF THE POSSIBILITY OF SUCH DAMAGES. EXCEPT AS OTHERWISE MAY BE REQUIRED BY LAW, THERE ARE NO OTHER EXPRESS OR IMPLIED WARRANTIES OTHER THAN THE WARRANTY DESCRIBED HEREIN, AND ALL OTHER WARRANTIES, INCLUDING ANY IMPLIED WARRANTY OF MERCHANTABILITY OR FITNESS FOR A PARTICULAR PURPOSE ARE EXPRESSLY DISCLAIMED.

Contact Customer Service at 1-866-988-3300

Assembly Instructions

GFM30731E




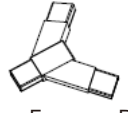

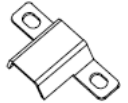








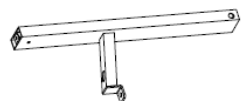
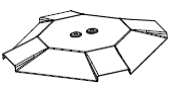




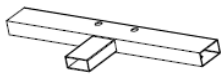
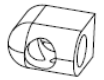
11.4'x11.4'x9.5' Hard Top Gazebo with Curtains






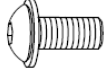

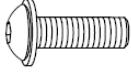

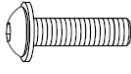

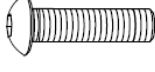

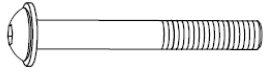








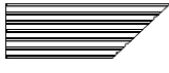


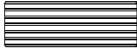
Questions, problems, or missing parts?
Before returning to the store, call Customer Service.


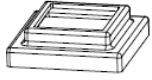
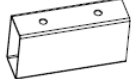

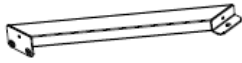


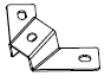

1-866-988-3300
8 a.m. -5 p.m., PST Monday - Friday

Retain this manual for future use.

Parts & Tools

PART	QTY	PICTURE & DESCRIPTION	PART	QTY	PICTURE & DESCRIPTION
A	4	 Post	P	4	 Top Frame Plug
B	4	 Long Beam 1	P1	4	 Metal Plate Cover Component
B1	4	 Long Beam 2	Q	8	 Incline Connecting Plate
B2	8	 Fabric Rod	Q1	8	 Middle Connecting Plate
C	4	 Corner Incline Tube	R	8	 Incline Outer Metal Part
C1	4	 Middle Incline Tube	R1	4	 Border Tube Outer Metal Part
C2	4	 Top Corner Incline Tube	S	1	 Top Plate
D	8	 Short Horizontal Tube	T	1	 Bottom Plate
D1	8	 Long Horizontal Tube	T1	1	 Hook
E	4	 Top Frame Tube	U	16	 Fabric Rod Cap

F	4	 Border Tube 1	V	4	 Netting
F1	4	 Border Tube 2	W	48+1	 Split Ring
F2	4	 Top Border Tube	AA	184+1	 M6x15 Combination Bolt
G	4	 Top Cover Plate	BB	26+1	 M6x30 Combination Bolt
G1	4	 Cover Plate 1	CC	32+1	 M6x40 Combination Bolt
G2	4	 Cover Plate 2	DD	16+1	 M6x40 Bolt
H	4	 Metal Plate 1	EE	8+1	 M6x75 Combination Bolt
H1	4	 Metal Plate 2	FF	8+1	 M6 Nut
H2	4	 Metal Plate 3	GG	2+1	 Plastic Washer
J	4	 Metal Plate 4	HH	8+1	 Ground Spike
J1	4	 Metal Plate 5	II	1	 Wrench
K	4	 Metal Plate 6	JJ	2	 Hex Wrench
K1	4	 Metal Plate 7			
K2	4	 Metal Plate 8			

L	4	 Post Base Plate			
L1	4	 Post Base Cap			
M	4	 Beam Decorator			
M1	4	 Beam Lining			
N	4	 Right Corner Support Bar	<p>WARNING: To avoid damage of this production, please use either the carton or another soft surface such as carpet as a working surface to prevent product damage during assembly.</p> <p>Need for assembly:</p>  <p>2 people</p>		
N1	4	 Left Corner Support Bar			
N2	4	 Corner Fitting			
N3	4	 Middle Fitting			

WARNING: Please keep children out of the assembly area before assembly.

WARNING: Do not leave the gazebo where there is a risk of high wind, as possible damage will occur to the structure.

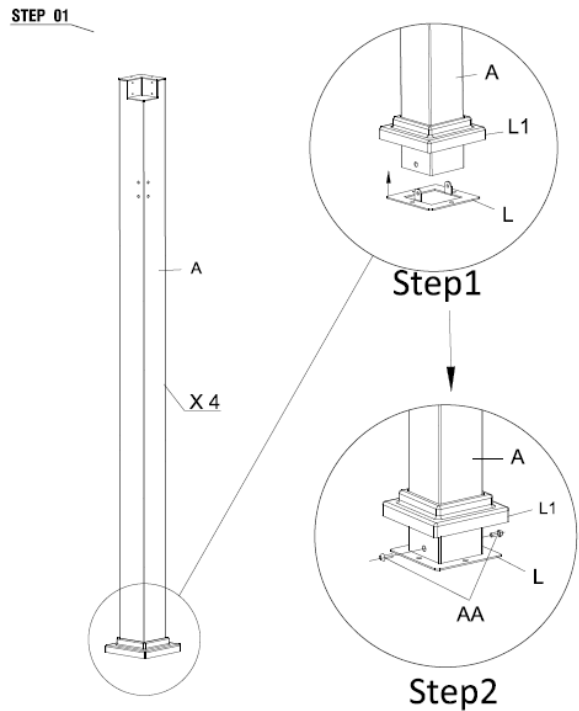
WARNING: Keep all flame and heat sources away from the fabric.

CAUTION: Do not climb on the top of the gazebo. Falling off the gazebo can result in serious injury, possibly even death.

Gazebo Assembly

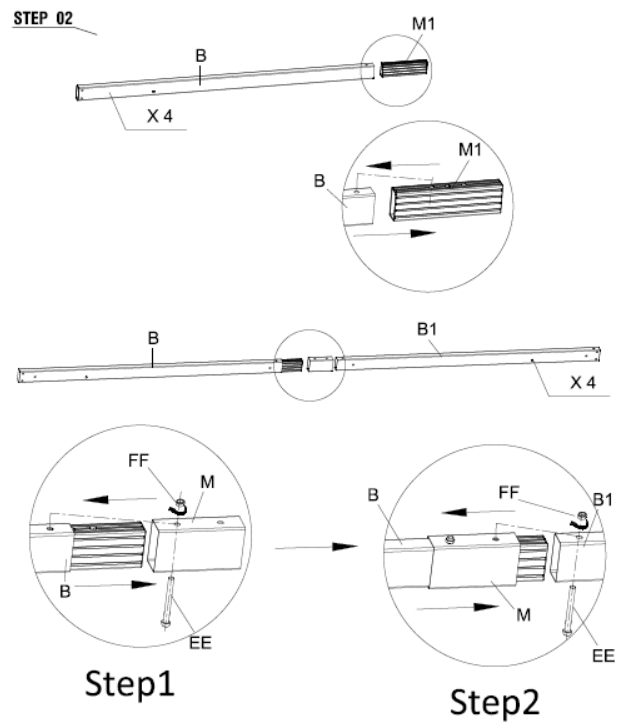
Step 1:

- Attach the post base cap (L1) and the post base plate (L) to the posts (A) using M6x15 combination bolts (AA).
- Repeat this step for the other three posts (A).
- Fully tighten the bolts using the hex wrench (JJ).



Step 2:

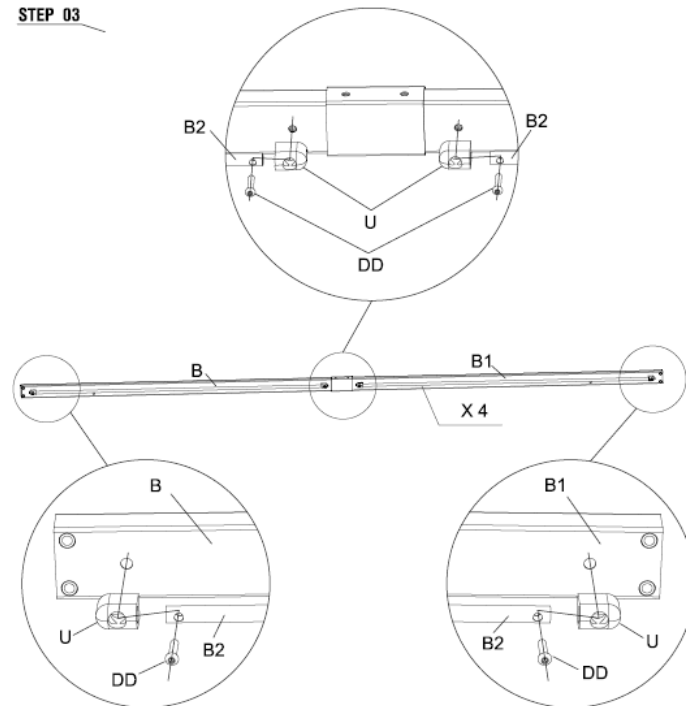
- Attach the long beam 1 (B) and long beam 2 (B1) to the beam lining (M1).
- Attach the long beam 1 (B) and long beam 2 (B1) to the beam decorator (M) by using M6x75 combination bolts (EE) and M6 nuts (FF).
- Do not fully tighten all the bolts at this step.



Step 3:

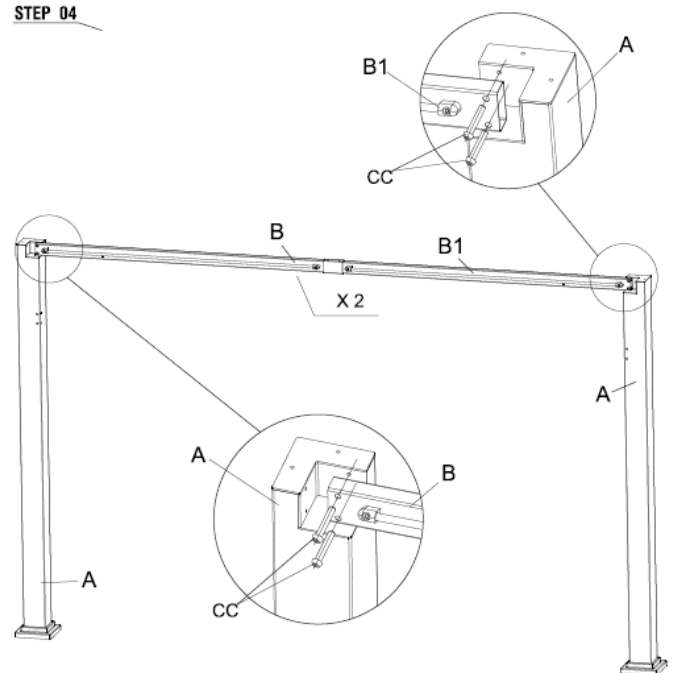
- Insert fabric rod (B2) into fabric rod cap (U), then attach to the assembled long beam (B & B1) by using M6x40 bolts (DD).
- Do not fully tighten all the bolts at this step.

STEP 03

**Step 4:**

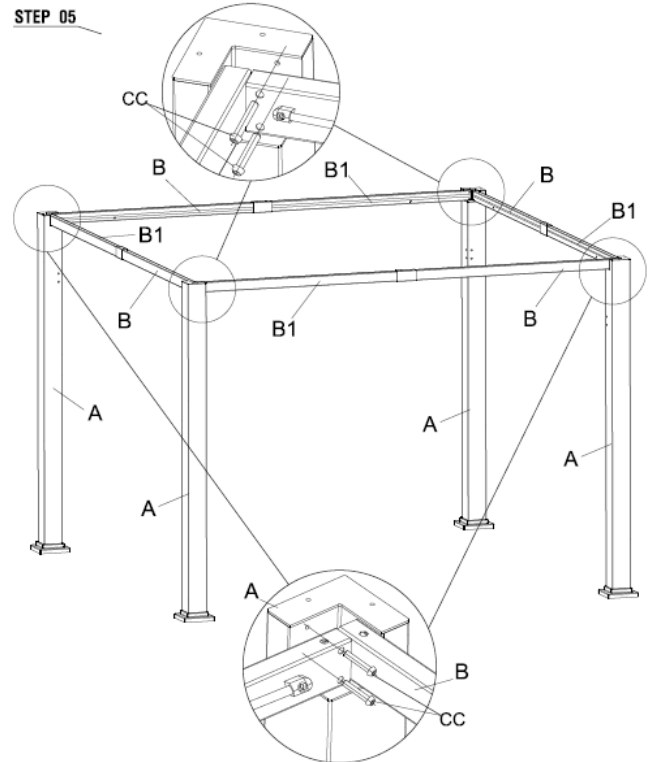
- Attach the assembled long beam (B & B1) to the two posts (A) using M6x40 combination bolts (CC).
- Repeat this step for the other two posts (A).
- Do not fully tighten all the bolts at this step.

STEP 04



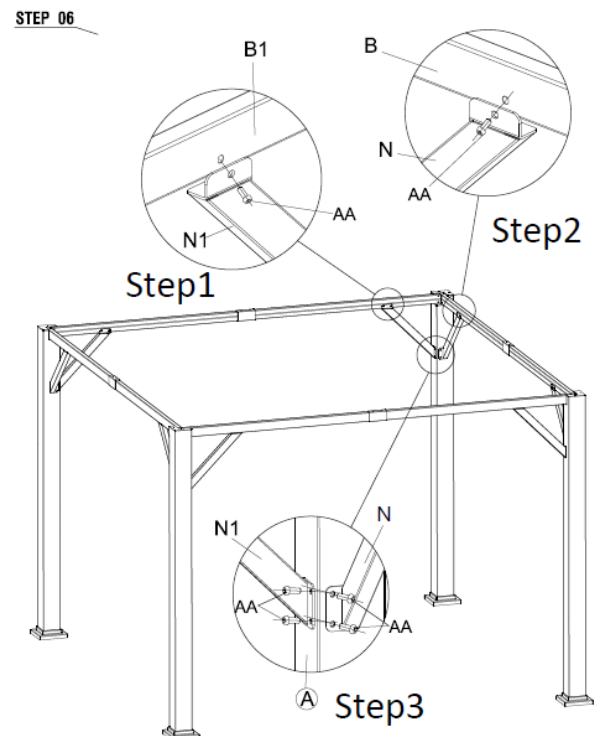
Step 5:

- Attach the assembled long beam (B & B1) to the assembled posts (A) using M6x40 combination bolts (CC) as shown below.
- Do not fully tighten all the bolts at this step.



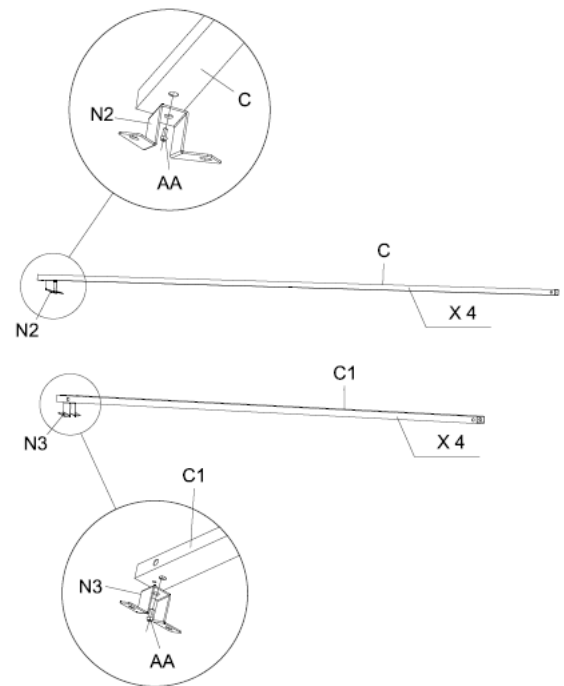
Step 6:

- Attach the left corner support bar (N1) to the long beam 2 (B1) by using M6x15 combination bolts (AA).
- Attach the right corner support bar (N) to the long beam1 (B) by using M6x15 combination bolts (AA).
- Attach the other end of the left corner support bar (N1) and the other end of the right corner support bar (N) to the posts (A) using M6x15 combination bolts (AA) as shown below.
- Do not fully tighten all the bolts at this step.

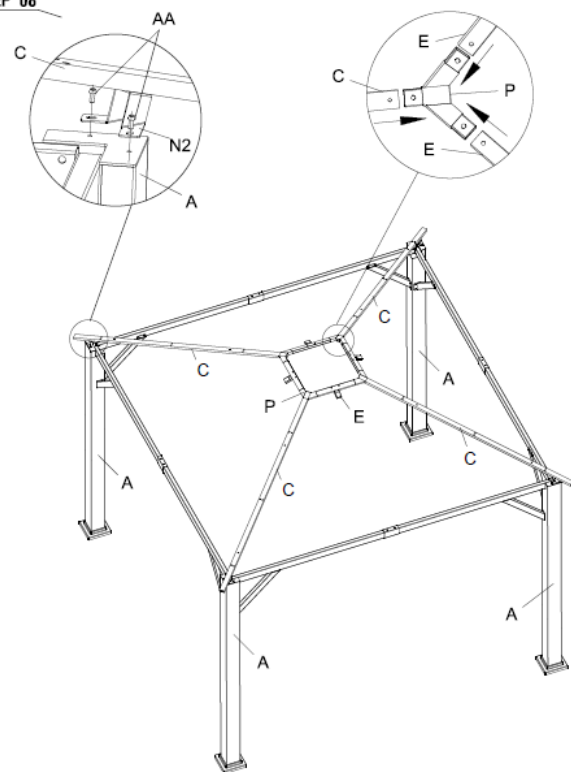


Step 7:

- Attach the corner fitting (N2) to the corner incline tube (C) using M6x15 combination bolt (AA).
- Attach the middle fitting (N3) to the middle incline tube (C1) using M6x15 combination bolt (AA).
- Repeat this step for the other three corner incline tubes (C) and the other three middle incline tubes (C1).
- Do not fully tighten all the bolts at this step.

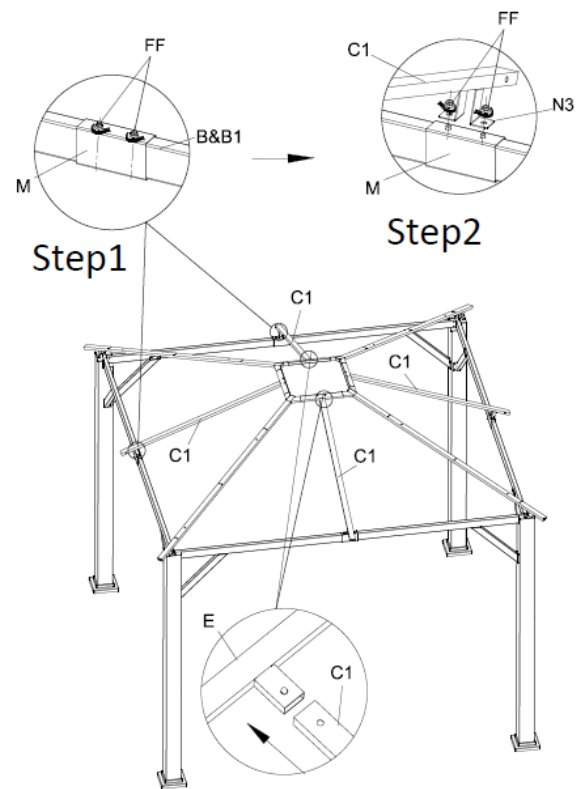
STEP 07**Step 8:**

- Attach the corner incline tube (C) to the post (A) by using M6x15 combination bolts (AA) through the corner fitting.
- Insert the top frame plug (P) into the corner incline tube (C) and the top frame tube (E) as shown below.
- Do not fully tighten all the bolts at this step.

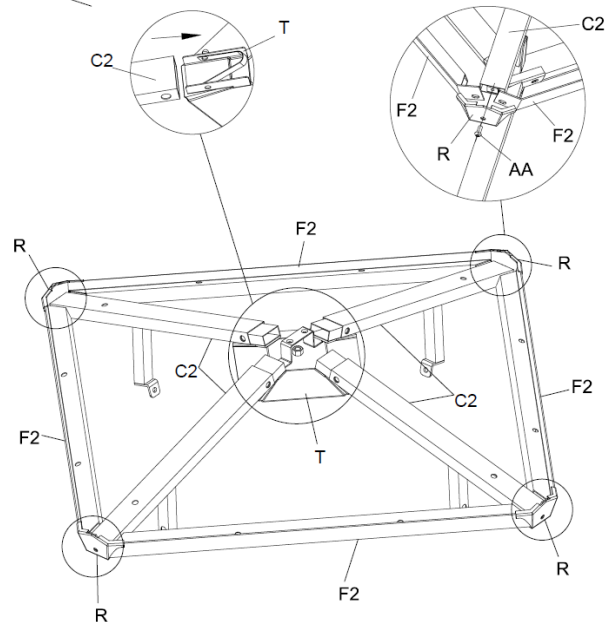
STEP 08

Step 9:

- Attach the middle incline tube (C1) to the assembled beam (B & B1) by using the M6 nuts (FF) through the middle fitting (N3).
- Insert the middle incline tube (C1) into the top frame tube (E) as shown below.
- Do not fully tighten all the bolts at this step.

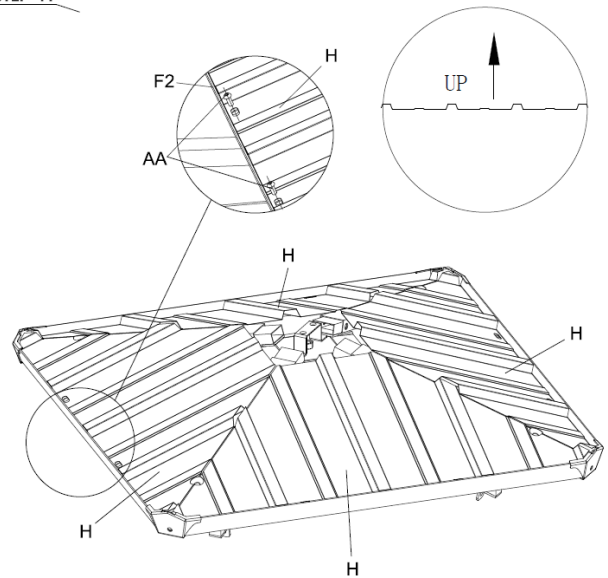
STEP 09**Step 10:**

- Attach the top corner incline tube (C2) and the top border tube (F2) to the incline outer metal part (R) using the M6x15 combination bolt (AA) as shown below.
- Insert the top corner incline tube (C2) into the bottom plate (T).
- Do not fully tighten all the bolts at this step.

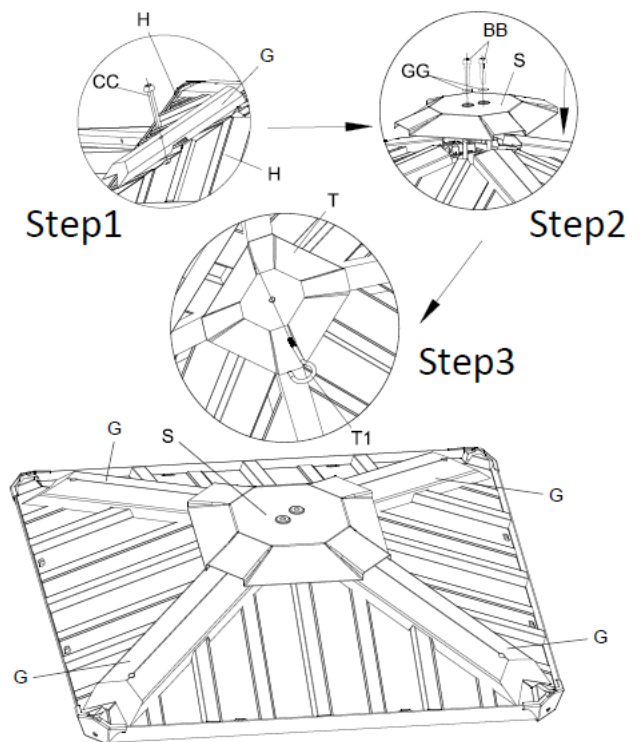
STEP 10

Step 11:

- Attach the metal plate 1 (H) to the top border tube (F2) using the M6x15 combination bolts (AA).
- Do not fully tighten all the bolts at this step.

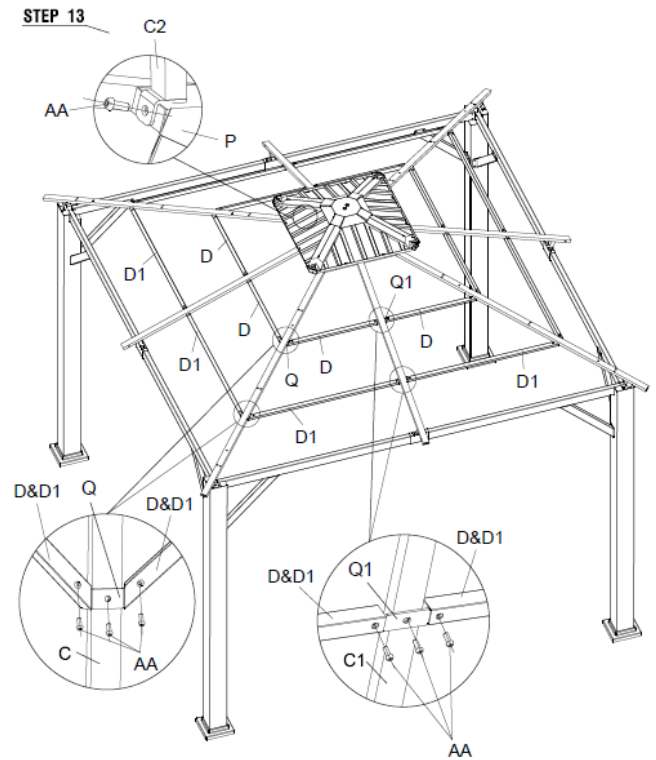
STEP 11**Step 12:**

- Attach the top cover plate (G) to the metal plate 1 (H) using the M6x40 combination bolts (CC).
- Attach the top plate (S) to the bottom plate (T) by using the M6x30 combination bolt (BB) and plastic washer (GG).
- Screw the hook (T1) into the bottom plate (T).
- Do not fully tighten all the bolts at this step.

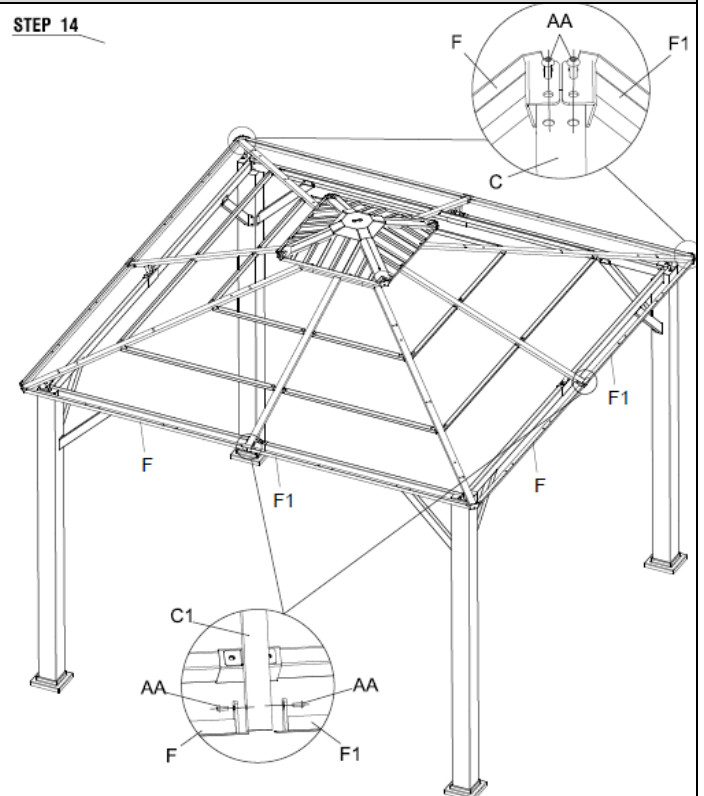
STEP 12

Step 13:

- Attach the top corner incline tube (C2) to the top frame plug (P) using the M6x15 combination bolts (AA).
- Attach the short horizontal tube (D), the long horizontal tube (D1) and the corner incline tube (C), to the incline connecting plate (Q) using the M6x15 combination bolt (AA).
- Attach the short horizontal tube (D), long horizontal tube (D1) and the middle incline tube (C1), to the middle connecting part (Q1) using the M6x15 combination bolt (AA).
- Do not fully tighten all the bolts at this step.

**Step 14:**

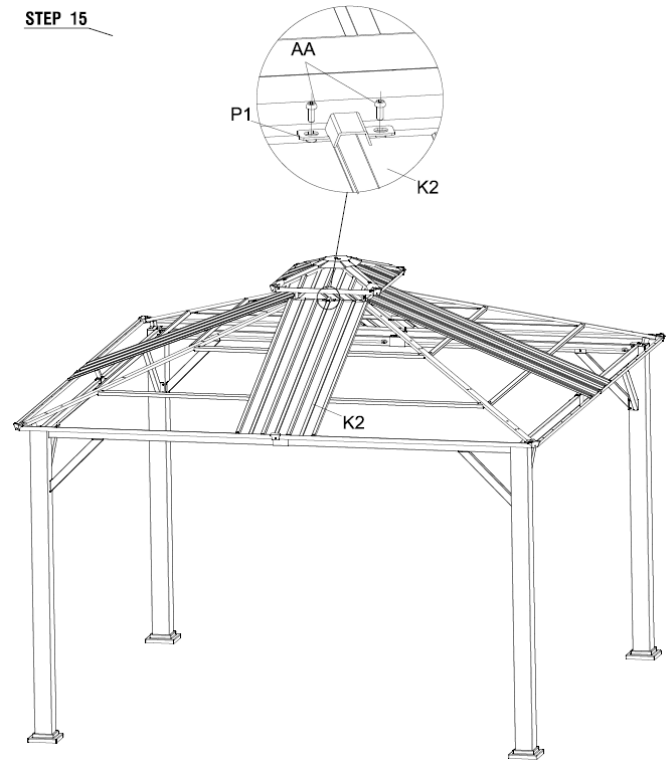
- Attach the border tube1 (F) and the border tube 2 (F1) to the corner incline tube (C) using the M6x15 combination bolts (AA).
- Attach the border tube1 (F) and the border tube 2 (F1) to the middle incline tube (C1) using the M6x15 combination bolts (AA).
- Do not fully tighten all the bolts at this step.



Step 15:

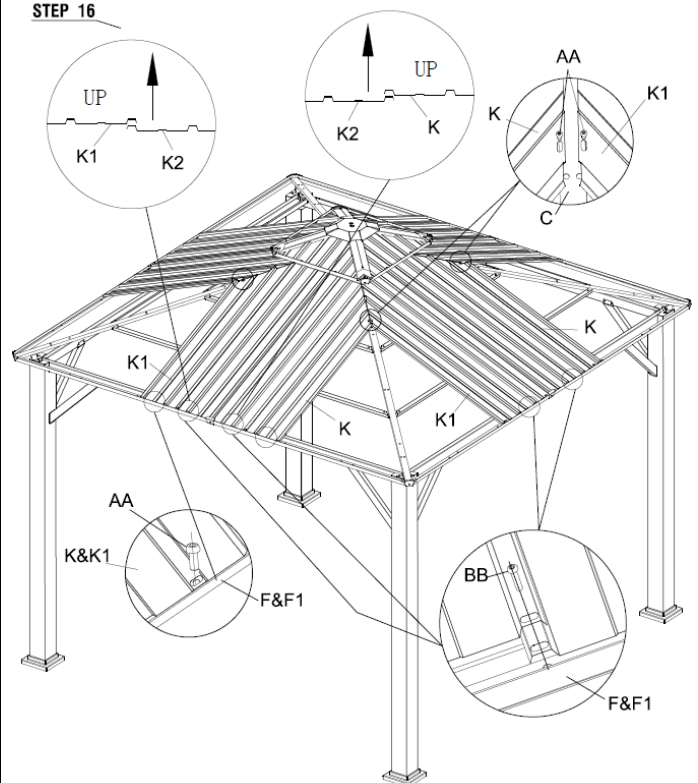
- Attach metal plate cover component (P1) to the metal plate 8 (K2) to using the M6x15 combination bolts (AA).
- Do not fully tighten all the bolts at this step..

STEP 15

**Step 16:**

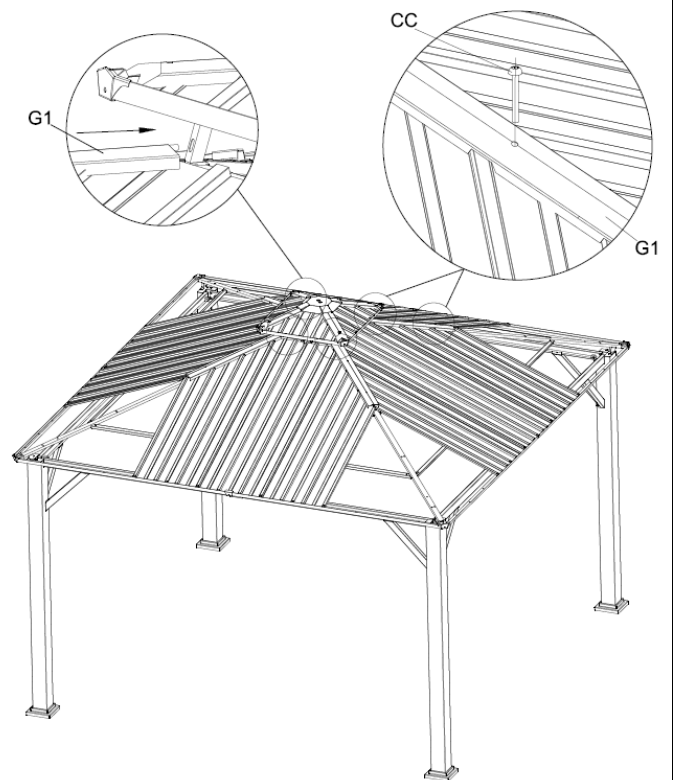
- Attach the metal plate 7 (K1) and the metal plate 6 (K) to the border tube (F & F1) using the M6x15 combination bolts (AA) as shown below.
- Attach the metal plate 7 (K1) and the metal plate 6 (K) to the corner incline tube (C) by using the M6x15 combination bolts (AA) as shown below.
- Do not fully tighten all the bolts at this step.

STEP 16

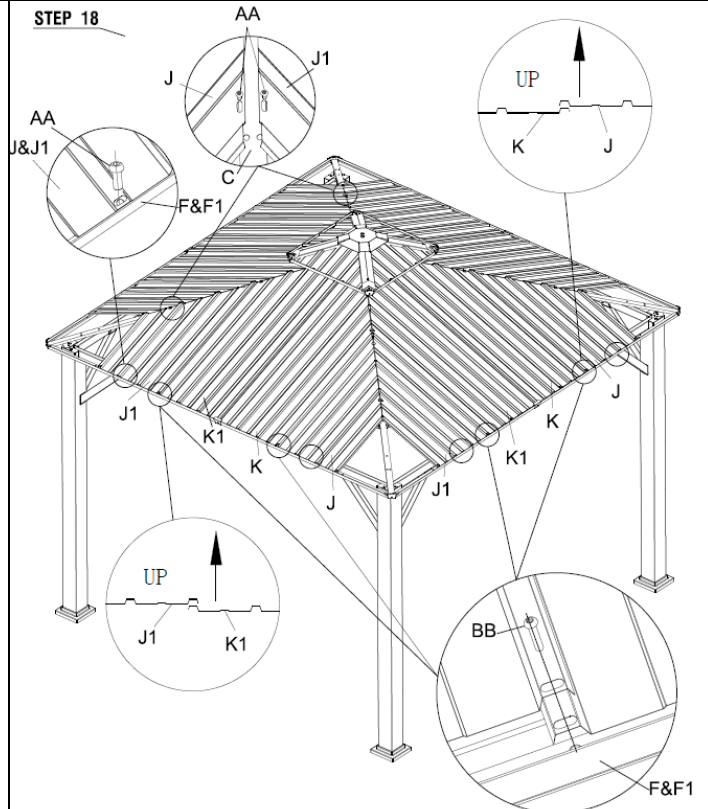


Step 17:

- Attach the cover plate (G1) to the assembled frame by using the M6x40 combination bolts (CC) as shown below.
- Do not fully tighten all the bolts at this step.

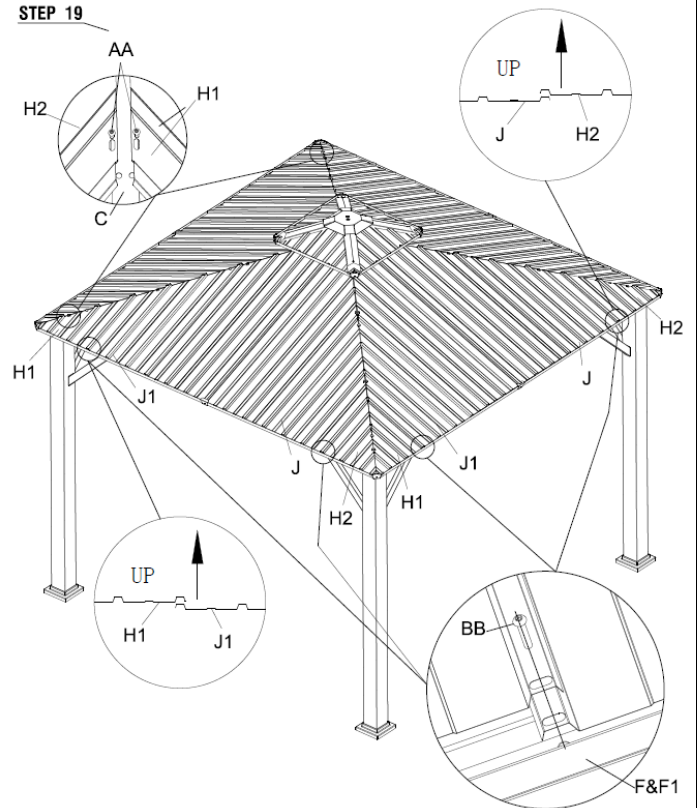
STEP 17**Step 18:**

- Attach the metal plate 4 (J) and metal plate 5 (J1) to border tube (F & F1) using the M6x15 combination bolts (AA) and M6x30 combination bolts (BB) as shown below.
- Attach the metal plate 4 (J) and metal plate 5 (J1) to the corner incline tube (C) by using the M6x15 combination bolts (AA) as shown below.
- Do not fully tighten all the bolts at this step.

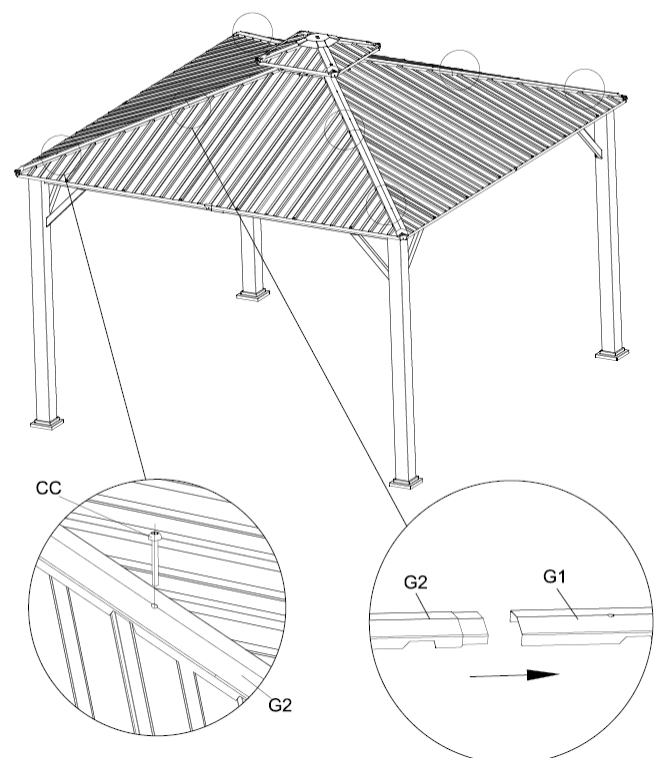
STEP 18

Step 19:

- Attach the metal plate 2 (H1) and the metal plate 3 (H2) to the border tube (F & F1) using the M6x30 combination bolts (BB).
- Attach the metal plate 2 (H1) and the metal plate 3 (H2) to the corner incline tube (C) using the M6x15 combination bolts (AA).
- Do not fully tighten all the bolts at this step.

STEP 19**Step 20:**

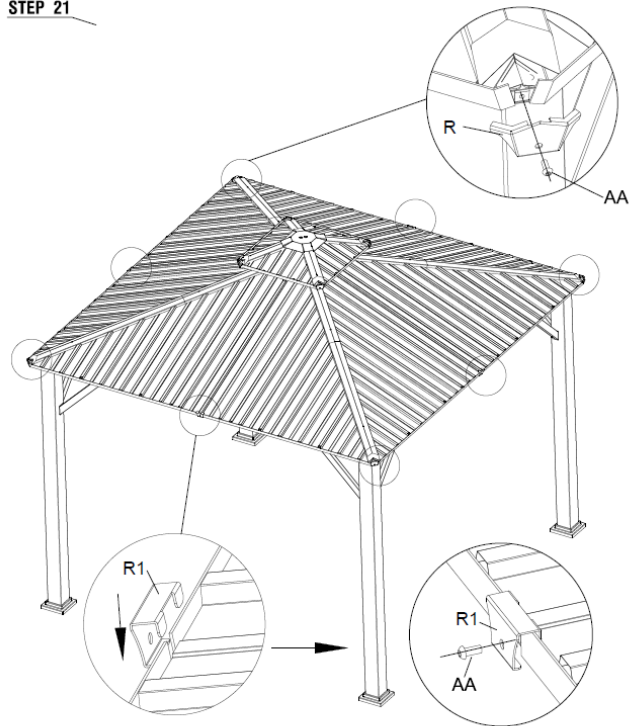
- Attach the cover plate (G2) to the assembled frame by using the M6x40 combination bolts (CC) as shown below.
- Do not fully tighten all the bolts at this step.

STEP 20

Step 21:

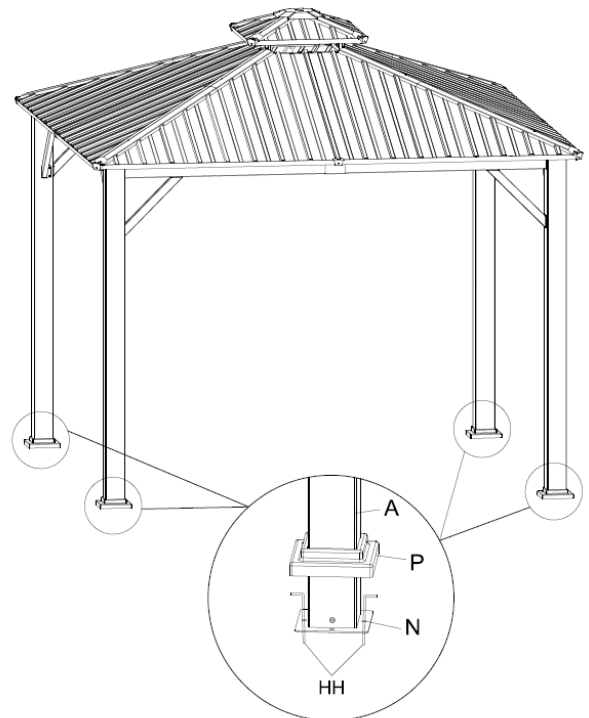
- Attach the incline outer metal part (R) and the border tube outer metal part (R1) to the assembled frame using the M6x15 combination bolts (AA) as shown below.
- Do not fully tighten all the bolts at this step.

STEP 21

**Step 22:**

- Once all of the bolts are in place, fully tighten all the bolts using wrench (HH) and hex wrench (II).
- Secure the post (A) to the ground by using the ground spikes (HH).

STEP 22



Step 23:

- Attach the netting (V) to the assembled gazebo by using the split ring (W) as shown below.

STEP 23