

HANOVER®

Hanover Outdoor Furniture



IMPORTANT

If you have any problems with this product (missing or damaged parts, assembly issues, etc.),

PLEASE DO NOT RETURN TO THE RETAILER/STORE

from where you purchased the product.

Please call our Toll-Free Customer Service Hotline at: **1-877-976-4402**

Between 9:00 AM and 5:00 PM Eastern Time, Monday through Friday

Or visit our website at: **www.hanover-products.com**

To expedite any future warranty claims, please retain the Instruction Sheet, Warranty Card and receipt for future use.

For additional on-line support on assembly, troubleshooting and care & maintenance of your outdoor furniture, please visit our website at: **www.hanover-products.com**.

HANOVER®

Model: HVR100

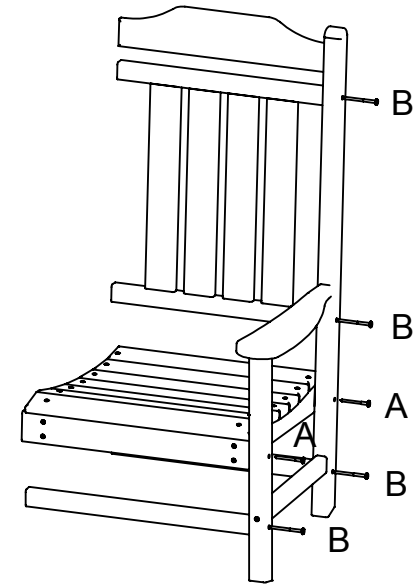
- ___ (1) Hardware pack
- ___ (2) Sideframes
- ___ (2) Rocker bottoms
- ___ (1) Back
- ___ (1) Seat
- ___ (1) Long brace
- ___ (1) Short brace
- ___ (1) Head piece

Step 1

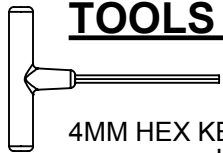
Attach long brace, short brace and back using (4) .27x3" screws.

Attach seat using (2) .27x2 1/2" screws

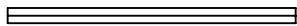
Note: front of seat is wider



TOOLS NEEDED



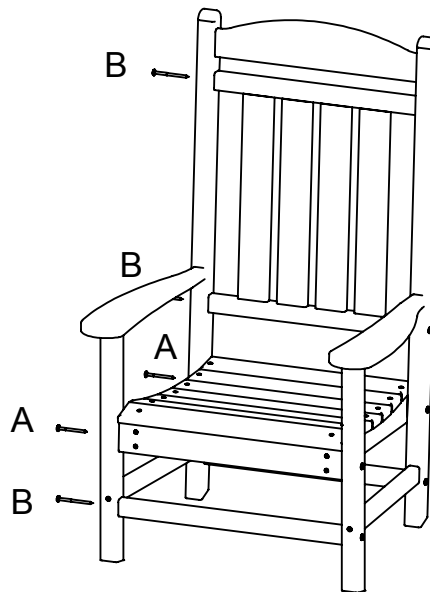
4MM HEX KEY, ALLEN, T-HANDLE INCLUDED



4MM HEX KEY, SHORT, FOR DRILL INCLUDED

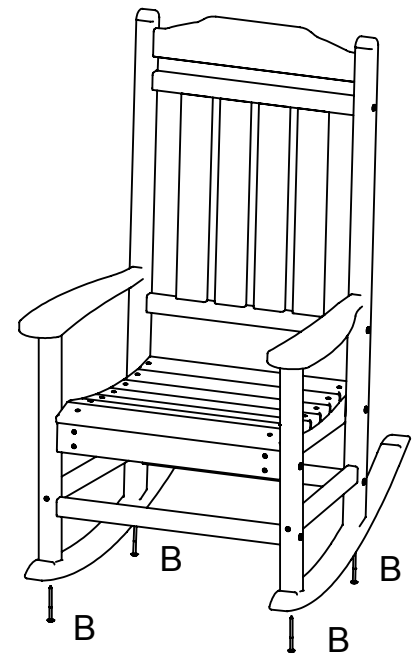
Step 2

Insert head piece into top of post
Repeat step 1 on other side

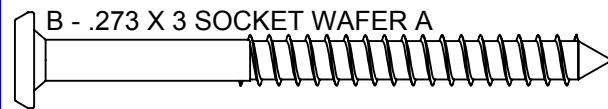


Step 3

Attach rocker bottoms with (4) .27x3" screws



Qty.	Description
4	A - .273 X 2.50 SOCKET WAFER A
12	B - .273 X 3 SOCKET WAFER A

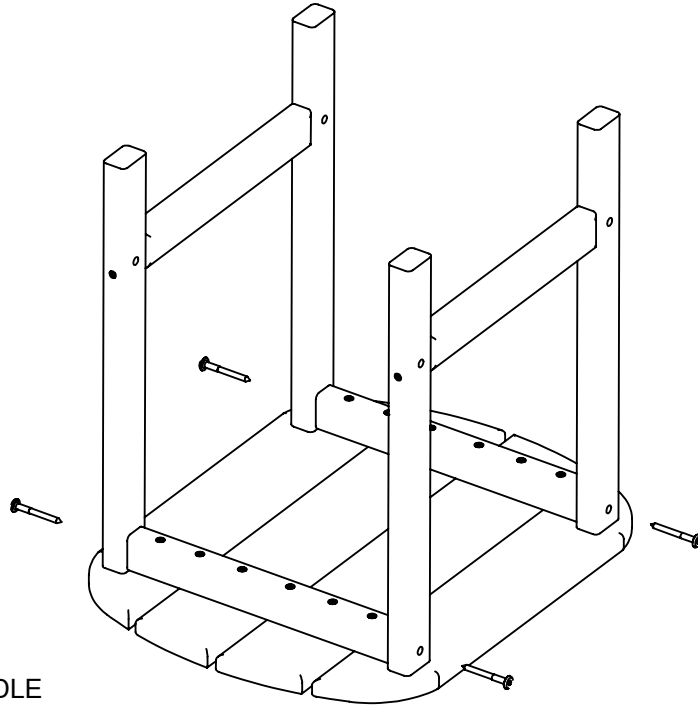


HANOVER®

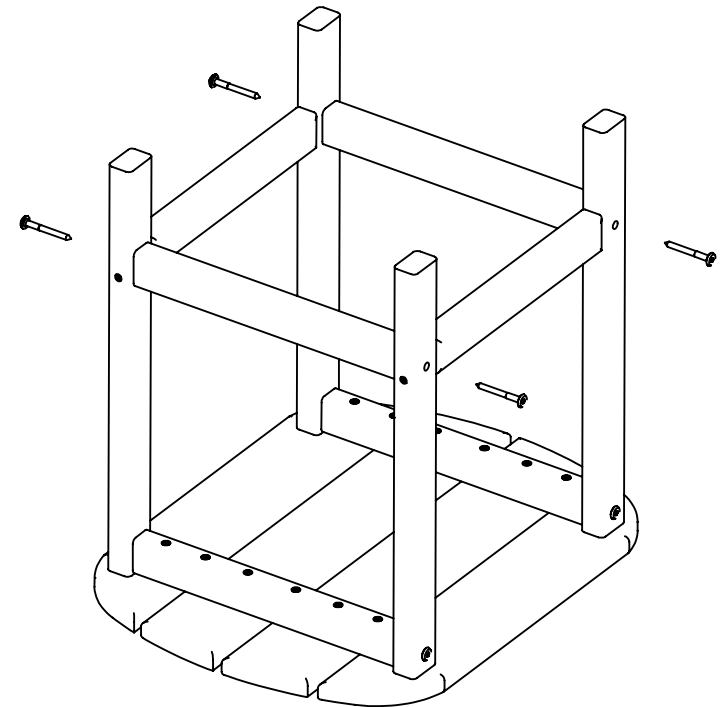
MODEL: HVSBT18

- (1) Table top
- (2) Sideframes
- (2) Braces
- (1) Hardware pack

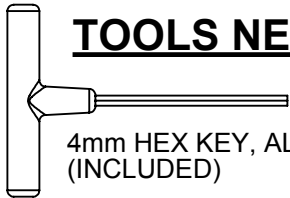
Step 1
Attach sideframes to table top
using (4) 2" screws



Step 2
Attach braces to sideframes
using (4) 2" screws



TOOLS NEEDED



4mm HEX KEY, ALLEN, T-HANDLE
(INCLUDED)

Qty.	Description
------	-------------

8	A - .273 X 2.00 SOCKET WAFER A
---	--------------------------------

