

# Outdoor Furniture



## IMPORTANT

If you have any problems with this product (missing or damaged parts, assembly issues, etc.),

**PLEASE DO NOT RETURN TO THE RETAILER/STORE**

where you purchased the product.

Please call our Toll-Free Customer Service Hotline at: **1-866-988-3300**

Between 8:00 AM and 5:00 PM Pacific Standard Time, Monday through Friday

To expedite any future warranty claims, please retain the instruction sheet, warranty card and receipt for future use.

### Care and Maintenance

Store furniture in an upright position. Be careful not to allow water to build up in frames, as this will cause corrosion and freeze damage in cold climates. Wash all frames with a solution of mild soap and water. Rinse with clean water and dry with a soft absorbent cloth towel. Frames can be treated with a liquid wax for maximum protection against UV rays and/or salty, damp air. If your set includes cushions, slings, and/or an umbrella, they may be cleaned by hand with a solution of soap and water with a clean water rinse. (Never machine wash cushions, slings or umbrella covers as this will result in shrinkage or damage). After cleaning cushions, tip on end and allow to drip dry. (Never use a commercial or home dryer to tumble dry fabric goods). Do not use bleach or solvents to clean any product! This will void the warranty.

# Outdoor Furniture

## 1-Year Limited Warranty Program

For a period of one (1) year after date of purchase, the Manufacturer will either repair or replace defective components in accordance with this Limited Warranty. This warranty is between the Manufacturer and the original purchaser and is valid only when accompanied by the original purchaser's sales receipt showing original date of purchase and location of purchase. Replacements under this warranty revert back to the date of original purchase for future warranty.

The Manufacturer or its authorized dealer can accept or reject warranty claims based on its findings. This warranty applies in normal residential use only and is not intended for commercial use. The Manufacturer can make substitutions as required of materials, components, and sub-components of comparable value and utility. This warranty is limited to product repair or replacement (to be determined solely by the Manufacturer). Warranty return is limited to only the single affected component.

This limited warranty covers only manufacturing defects and does not cover normal wear and tear, damage due to acts of nature (such as, but not limited to freezing or high winds), abuse or misuse, including chemical damage from suntan oil or other chemicals, exposure to extreme heat or cold, abrasion or excessive weight. This product is intended to be used in standard installations only. This warranty is void if the product is not used for its intended purpose. The Manufacturer disclaims liability for any aspect of installation and any inconvenience caused by a defective part of a component.

Certain items are not covered by this warranty. These include, but are not limited to the following:

1. Components subjected to abuse, including abuse intended to simulate failure.
2. Damages caused by retailer, shipper or installation crew (such as scratches, dents, tears, chips, etc.).
3. Any part that merely exhibits normal wear yet functions essentially as new, including chips, scratches or stretching of materials and stitching.
4. Tears, punctures, scratches or any damage caused by improper installation or use.
5. Damage to frames/welds resulting from improper assembly or exposure to water and/or sub-freezing temperatures is not covered. General frame rusting is not covered.
6. Fading and/or discoloration of fabrics/cushions/straps/wicker resulting from exposure to the elements, chemicals, oils, fluids or any other cause are not covered.
7. Umbrella bases are not covered under any circumstances.
8. Items sold "as is" or floor models.

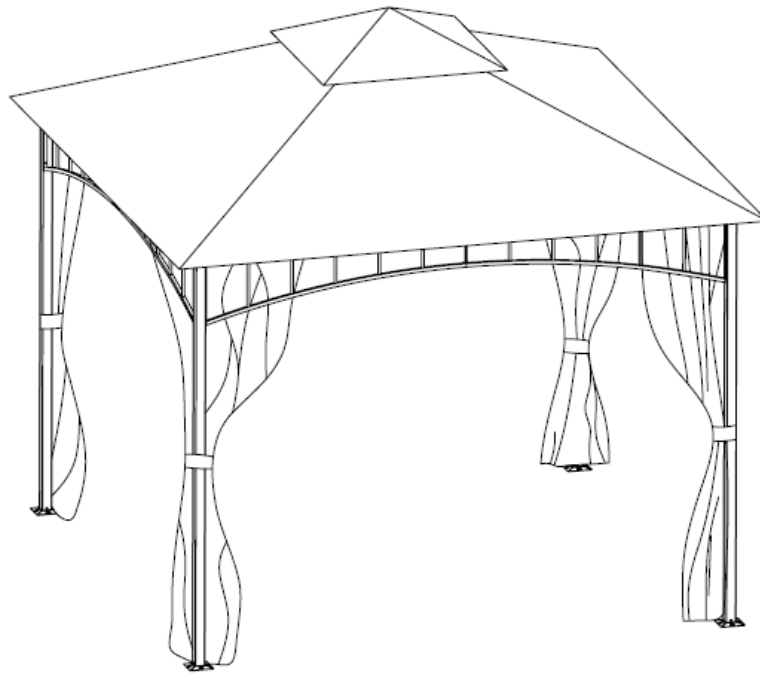
To make a claim, call the toll-free number below. Please have available a copy of the original sales receipt along with a brief description of the problem. Please also provide your email address and daytime telephone or cell phone number. All items may be charged actual freight costs plus \$15 for handling. Repairs or replacement will be made at the Manufacturer's option. ***Sales and use taxes, plus shipping and handling charges are the responsibility of the consumer.***

**THIS IS THE ENTIRE EXCLUSIVE EXPRESS LIMITED LIABILITY. THE MANUFACTURER NEITHER MAKES NOR IS RESPONSIBLE FOR ANY OTHER WARRANTIES, EITHER EXPRESS OR IMPLIED, INCLUDING THOSE OF RETAILING DEALERS. THIS EXCLUSIVE REMEDY IS LIMITED TO RECEIPT OF A CREDIT IN CONNECTION WITH THE REPAIR OR REPLACEMENT OF ANY PRODUCT OR COMPONENT DEEMED TO BE DEFECTIVE UNDER THE TERMS AND CONDITIONS AS STATED IN THIS WARRANTY. NEITHER THE PRODUCT MANUFACTURER NOR ITS AGENTS SHALL BE LIABLE IN ANY CASE FOR INCIDENTAL, INDIRECT, SPECIAL OR CONSEQUENTIAL DAMAGES RESULTING FROM THE USE OF THIS PRODUCT OR ARISING OUT OF ANY BREACH OF THIS WARRANTY OR NEGLIGENCE EVEN IF IT HAS BEEN ADVISED OF THE POSSIBILITY OF SUCH DAMAGES. EXCEPT AS OTHERWISE MAY BE REQUIRED BY LAW, THERE ARE NO OTHER EXPRESS OR IMPLIED WARRANTIES OTHER THAN THE WARRANTY DESCRIBED HEREIN, AND ALL OTHER WARRANTIES, INCLUDING ANY IMPLIED WARRANTY OF MERCHANTABILITY OR FITNESS FOR A PARTICULAR PURPOSE ARE EXPRESSLY DISCLAIMED.**

**Contact Customer Service at 1-866-988-3300**

# Assembly Instructions

## GFS20200B



### 8'x8' Steel Gazebo Soft Top

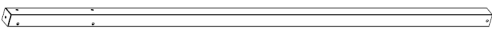
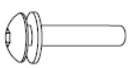
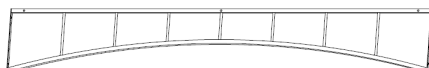















---

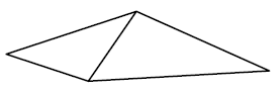

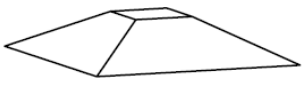
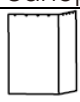
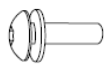
Questions, problems, or missing parts?  
Before returning to the store, call Customer Service.

**1-866-988-3300**  
8 a.m. -5 p.m., PST Monday - Friday

Retain this manual for future use.

## Parts & Tools

PART	QTY	PICTURE & DESCRIPTION	PART	QTY	PICTURE & DESCRIPTION
A	4	 post leg	P	16+2	 M6*30mm bolt with washer
B	4	 beam	Q	4+2	 M6*55mm bolt with washer
C	4	 corner inclined tube	R	12+2	 nut
D	4	 middle inclined tube	S	16	 ground spike
E	4	 shade rod	T	2	 allen wrench
F	1	 top connector	U	1	 wrench
G	4	 U-shaped part 1	V	4	 plastic washer
H	4	 U-shaped part 2			
I	4	 post base			
J	8	 tube connector			
K	32	 connection buckle			

L	1	 top canopy	<p>WARNING: To avoid damage of this production, please use either the carton or another soft surface such as carpet as a working surface to prevent product damage during assembly.</p> <p>Need for assembly:</p>  <p>2 people</p>
M	1	 canopy	
N	4	 curtain	
O	28+2	 M6*15mm bolt with washer	

**WARNING:** Please keep children out of the assembly area before assembly.

**WARNING:** Do not leave the gazebo where there is a risk of high wind, as possible damage will occur to the structure.

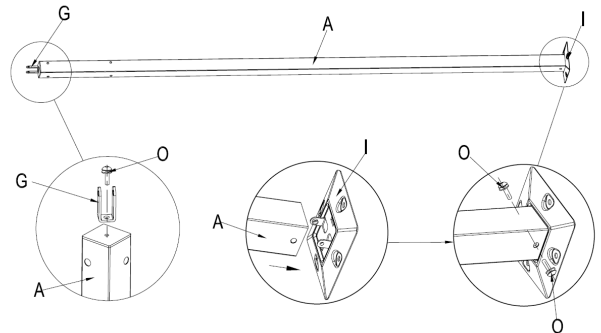
**WARNING:** Keep all flame and heat sources away from the fabric.

**CAUTION:** Do not climb on the top of the gazebo. Falling off the gazebo can result in serious injury, possibly even death.

# Gazebo Assembly

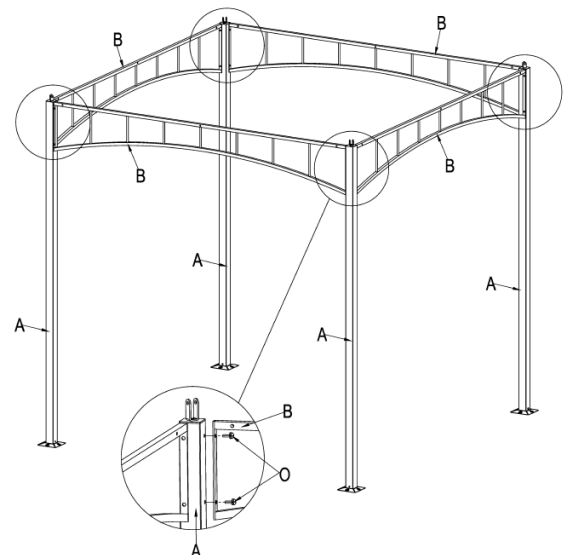
## Step 1:

- Attach the U-shaped part 1 (G) to the post leg (A), secure with M6\*15mm bolt with washer (O) using the allen wrench (T)
- Insert the post base (I) into the post leg (A), secure with M6\*15mm bolt with washer (O) using the allen wrench (T).
- Repeat above steps until 4 U-shaped part 1 (G) and post base (I) are secured to the post leg (A).



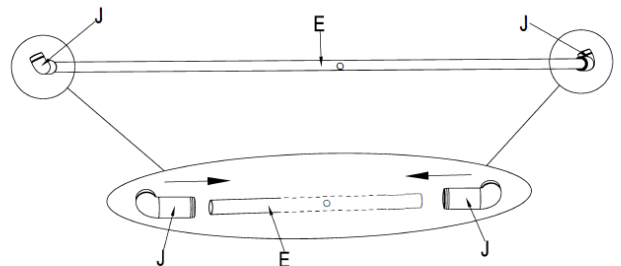
## Step 2:

- Attach the beam (B) to the post leg (A), secure with M6\*15mm bolt with washer (O) using allen wrench (T).
- Repeat above step until the 4 beam (B) are secured to the post leg (A).



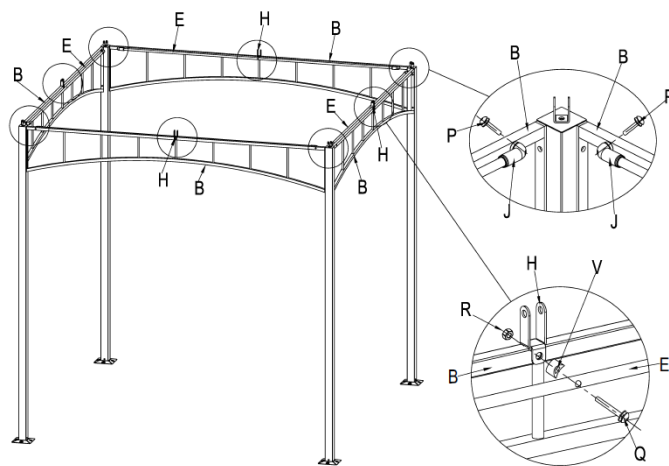
## Step 3:

- Attach the tube connector (J) to the shade rod (E).
- Repeat above step until the 8 tube connectors (J) are attached to the shade rod (E).

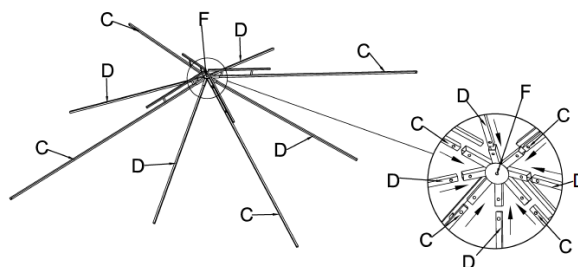


**Step 4:**

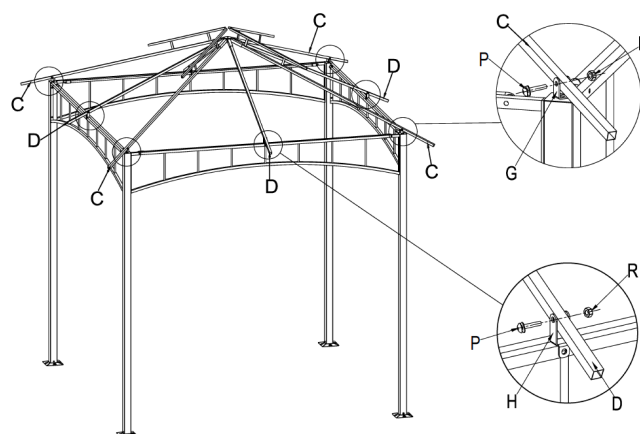
- Attach the tube connector (J) to the beam (B), secure with M6\*30mm bolt with washer (P) using the allen wrench (T).
- Attach the U-shaped part 2 (H) to the beam (B), secure with M6\*55mm bolt with washer (Q), plastic washer (V) and nut (R) using allen wrench (T) and wrench (U).
- Repeat above steps until 4 shade rods (E) and U-shaped part 2 (H) are secured with the beam (B).

**Step 5:**

- Attach the corner inclined tube (C) and middle inclined tube (D) to the top connector (F).

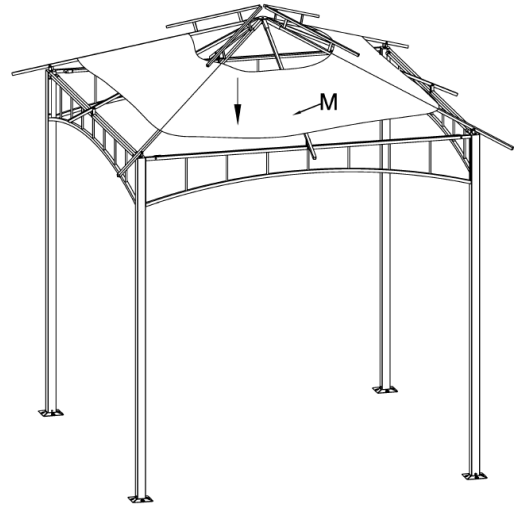
**Step 6:**

- Attach the corner inclined tube (C) to U-shaped part 1 (G), secure with M6\*30mm bolt with washer (P) and nut (R) using allen wrench (T) and wrench (U).
- Attach the middle inclined tube (D) to U-shaped part 2 (H), secure with M6\*30mm bolt with washer (P) and nut (R) using allen wrench (T) and wrench (U).
- Repeat above steps until the 4 corner inclined tubes (C) are secured to the U-shaped part 1 (G), and the 4 middle inclined tubes (D) are secured to the U-shaped part 2 (H).

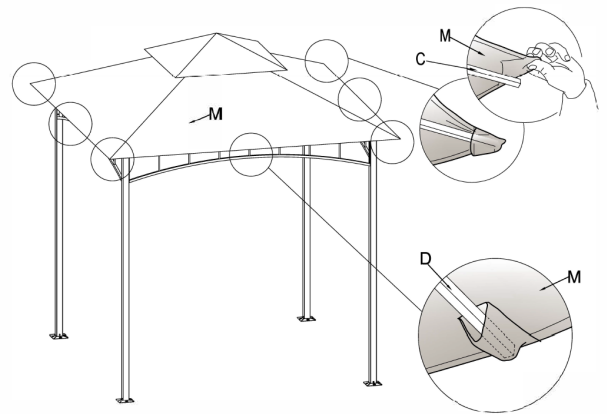


**Step 7:**

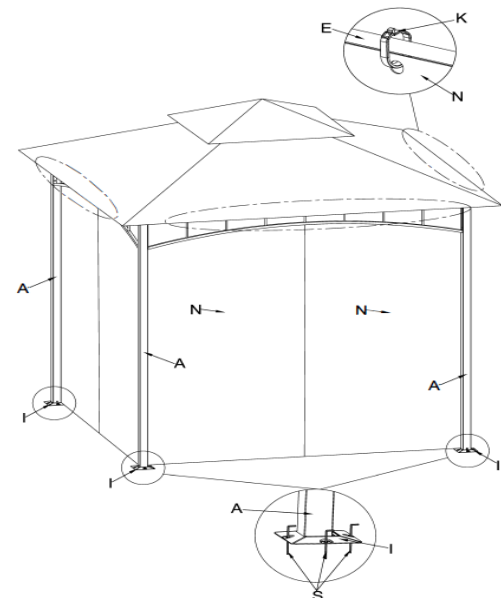
- Attach the canopy (M) and top canopy (L) on the top.

**Step 8:**

- Slip the corner inclined tube (C) and middle inclined tube (D) into the top canopy (L) and canopy (M).

**Step 9:**

- Hanging the curtain (N) to the beam (B) by using the connection buckle (K).
- Insert the ground spikes (S) through the post base (I) and into ground.





**Step 10:**

- Tighten all bolts. Ensure all connections are secure before use.
- You are now ready to enjoy your new gazebo.

