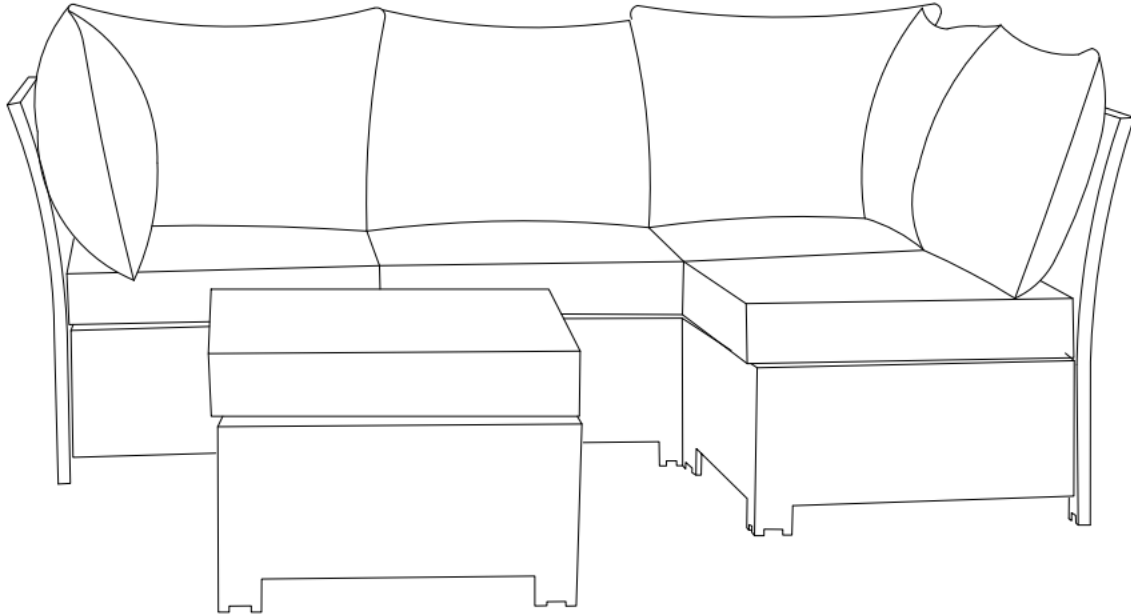


# ASSEMBLY INSTRUCTIONS




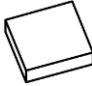




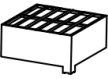

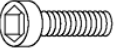

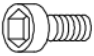
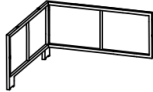



## HANFR4/SC-1070-6SEC-V2 - 5pc Seating Set



**Please read through these instructions before beginning assembly.**

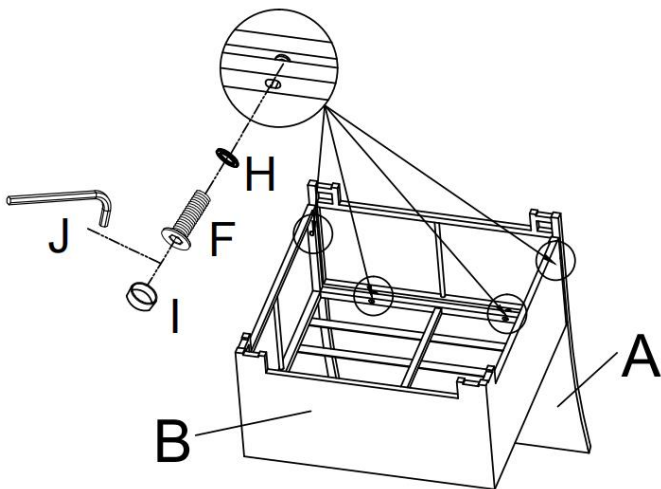
- Clear out the space for assembly and lay out all parts based on parts list. Extra room will allow you to easily determine if all the pieces are present.
- Save all packing materials until assembly is complete to avoid accidentally discarding smaller parts or hardware.
- Keep small parts and pieces away from children until fully assembled.
- Do not fully tighten the screws until all have been inserted and hand tightened.
- Check for any loose screws and tighten them before use.
- Do not stand or jump on the chair as it may cause injury.
- Weight limit of each chair/ottoman: 250lbs

## PARTS LIST

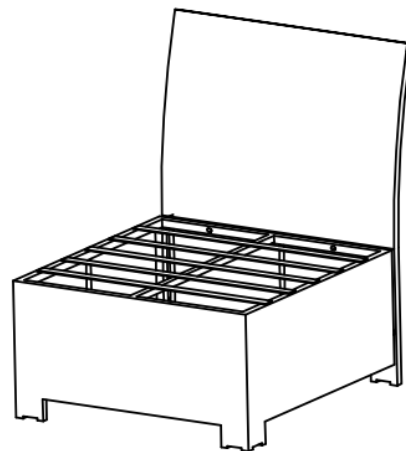
A	Armless Chair Back Panel		2 pcs	J	Hex Key		1 pc
B	Armless Chair Seat		2 pcs	K	Chair Seat Cushion		4 pcs
C	Corner Chair Back Panel 1		2 pcs	L	Chair Back Cushion (Big One)		4 pcs
D	Corner Chair Back Panel 2		2 pcs	M	Chair Back Cushion (Small One)		2 pcs
E	Corner Chair Seat		2 pcs	N	Ottoman Cushion		1 pc
F	Bolt M6x35mm		24 pcs	O	Ottoman Top Panel		1 pc
G	Bolt M6x30mm		6 pcs	P	Ottoman Side Panel		2 pcs
H	Washer		30 pcs	Q	Clip		8 pcs
I	Bolt Cover		30 pcs				

## ASSEMBLY FOR ARMLESS CHAIR

Step 1



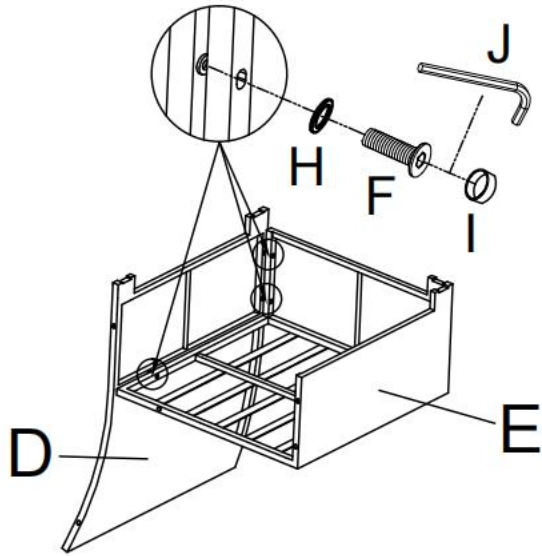
Step 2



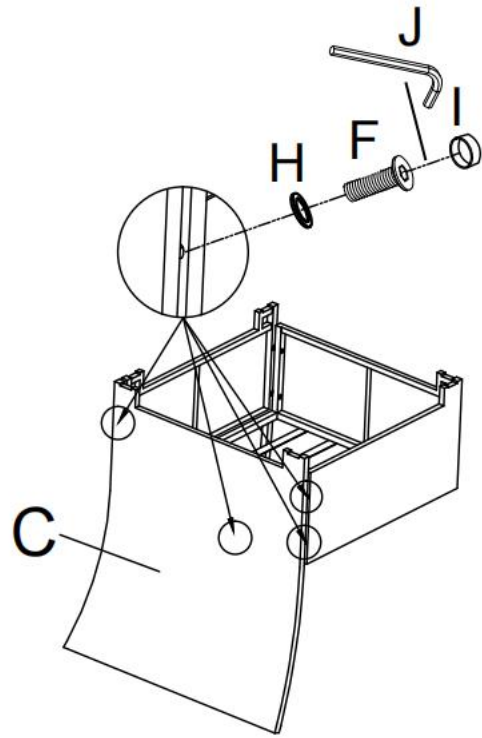
Repeat the steps for the second armless chair.

# ASSEMBLY FOR CORNER CHAIR

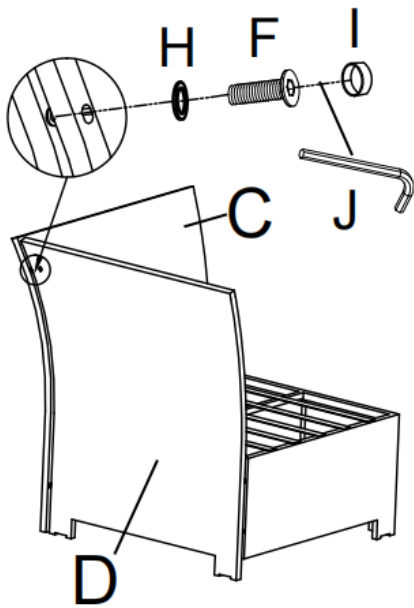
Step 1



Step 2



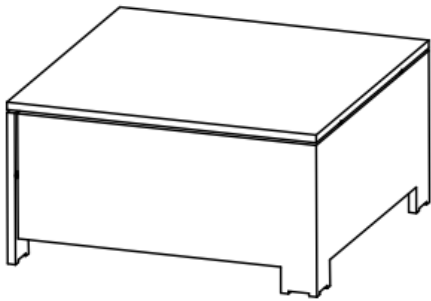
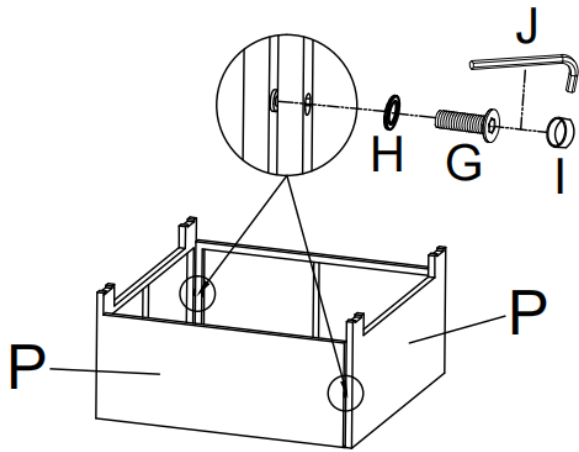
Step 3



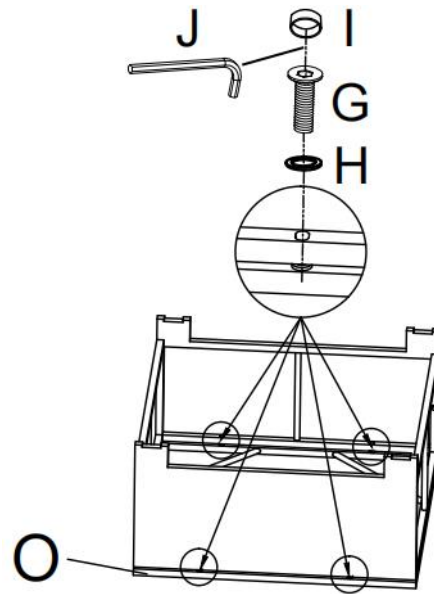
Repeat the steps for the second corner chair.

# ASSEMBLY FOR OTTOMAN

Step 1



Step 2



Connect chairs with clips and place cushions onto chairs.

