

HANOVER®

Hanover Outdoor Furniture



IMPORTANT

If you have any problems with this product (missing or damaged parts, assembly issues, etc.),

PLEASE DO NOT RETURN TO THE RETAILER/STORE

from where you purchased the product.

Please call our Toll-Free Customer Service Hotline at: **1-877-397-5144**

Between 9:00 AM and 5:00 PM Eastern Time, Monday through Friday

Or visit our website at: **www.hanover-products.com**

To expedite any future warranty claims, please retain the Instruction Sheet, Warranty Card and receipt for future use.

For additional on-line support on assembly, troubleshooting and care & maintenance of your outdoor furniture, please visit our website at: **www.hanover-products.com**.

**IMPORTANT!! PLEASE READ ENTIRE INSTRUCTION SHEET BEFORE ASSEMBLY!!
TO EXPEDITE ANY FUTURE WARRANTY CLAIMS, PLEASE KEEP INSTRUCTION SHEET, WARRANTY CARD AND RECEIPT**

IMPORTANT NOTE: Your sling seat may appear to be slightly warped. This is not unusual. Proper assembly procedure will straighten out the sling seat in the frame. There are four bolts used to attach the seat frame to the seat base. After inserting all the bolts, each of these bolts must be tightened a few revolutions at a time in rotation.

Step 1: Identify all parts packed in the carton against the parts list. Remove all protective materials. Set parts on a flat, non-abrasive surface to avoid scratching. If you are missing any parts or are unsure how to proceed with assembly, call our Customer Service Center immediately at 1-800-416-3511. **Do not attempt to assemble chair if any parts are missing or damaged.**

IMPORTANT NOTE: *Assembling this chair requires attaching the sling seat frame to the seat base. We recommend two people work together to assemble the chair since it is critical that all the holes in the seat frame are aligned exactly with the holes in the seat base. All bolts need to be inserted and tightened into the fixed nuts in a straight and direct path. Inserting the bolts at even the slightest angle could strip the nuts and bolts, damaging the entire chair.*

Step 2: Working from behind the chair, have another person stand in front of the chair and position the sling seat frame in between the arms of the seat base as shown in **Fig.1** so that the holes on both sides of the upper portion of the seat frame back align with the fixed nut holes in the seat base.

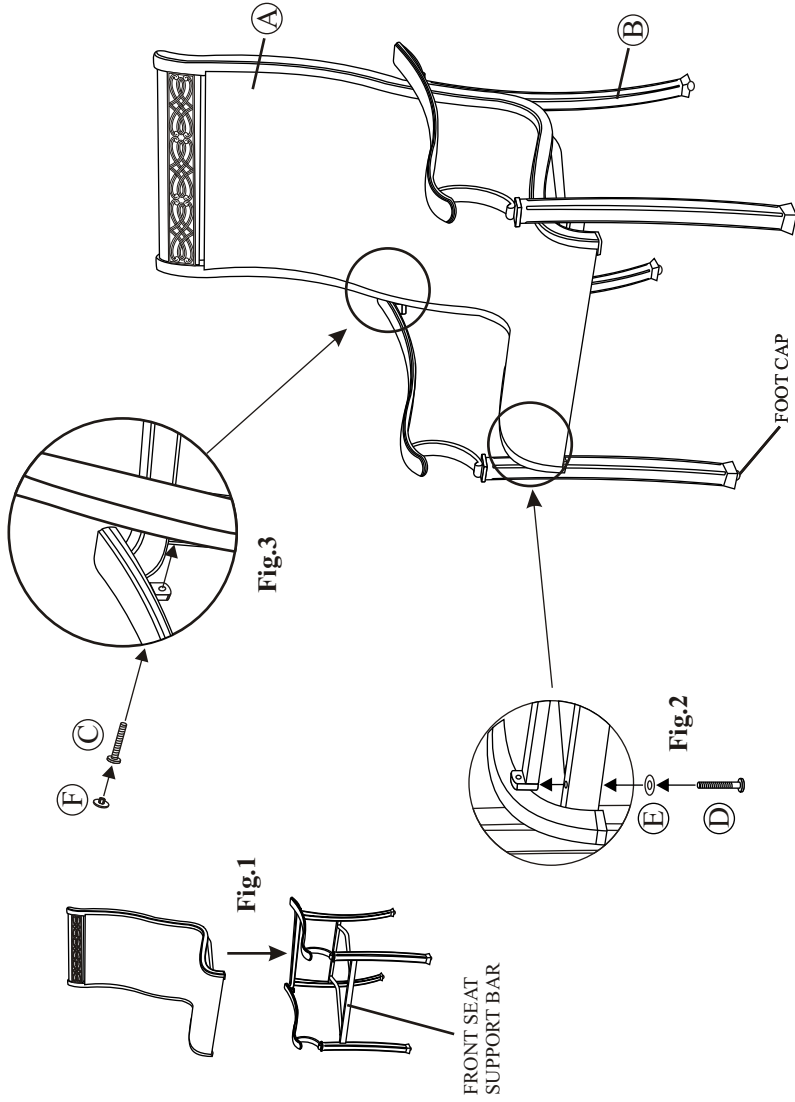
Step 3: Working from the front of the chair, add a washer to a 1/4"x45 mm bolt. From the underside of the front seat support bar, insert the bolt with washer through one of the holes in the seat support bar, into the fixed nut inside the lower front portion of the seat base as shown in **Fig.2**. **Hand tighten 3-4 revolutions only. Do not tighten Completely.** Repeat for opposite side of chair.

Step 4: From behind the chair, insert a 1/4"x35 mm bolt through the back arm portion of the seat base and into the fixed nut in the seat frame as shown in **Fig.3**. Make sure the bolt is inserted exactly straight! **Hand tighten 3-4 revolution only. Do not tighten completely.** Repeat for opposite side of chair.

Step 5: Tighten all bolts with the hex bolt driver. Each bolt must be tightened a 3-4 revolutions only at a time. Begin with top left bolt. Move to bottom right bolt then to top right bolt, followed by bottom left bolt. Repeat this "X" pattern until all bolts are tight. **Do not over tighten bolts.** Over tightening may strip bolts or nuts, damaging the entire chair. Cover 1/4"x35 mm bolts with bolt covers.

Step 6: Examine the chair from the front. If the sling seat does not appear tight or straight in the seat base, repeat steps 3, 4 and 5. If you do not feel your chair is assembled properly, or you have any questions, call our Customer Service Center at 1-800-416-3511.

IMPORTANT NOTE: **Damage to welds or frames resulting from over tightened bolts or improper assembly is not covered under our warranty. Please read all instructions carefully before assembly. If you have any questions regarding your assembly, call our Customer Service Center at 1-800-416-3511.**



* NOTE: PARTS SHOWN ON PARTS LIST ARE NOT TO SCALE

PARTS LIST	DESCRIPTION	ORDER PART #QTY	PARTS LIST	DESCRIPTION	ORDER PART #QTY
A	SEAT FRAME	AN0523 1	F	BOLT COVER	HW0022 2
B	SEAT BASE	AN0524 1	G	HEX BOLT DRIVER"	HW0252 1
C	1/4" X 35 MM BOLT	HW0142 2		FOOT CAP FACTORY ASSEMBLY	FC0030
D	1/4" X 45 MM BOLT	HW0040 2		SLING TUBE CAP FACTORY ASSEMBLY	FC0558
E	Ø6.5 X 1.0 MM WASHER	HW0004 2			

ADS17500

ASSEMBLY INSTRUCTIONS

- 1 Place the table top upside down on a flat, non-abrasive surface. Attach a table leg to the table top by using the bolts and washers as shown in the **Figure 1**. Guide the bolts through the holes in the table leg, into the pre-drilled holes in the table top. **Hand tighten 2-3 turns only**. Repeat for the other three legs.

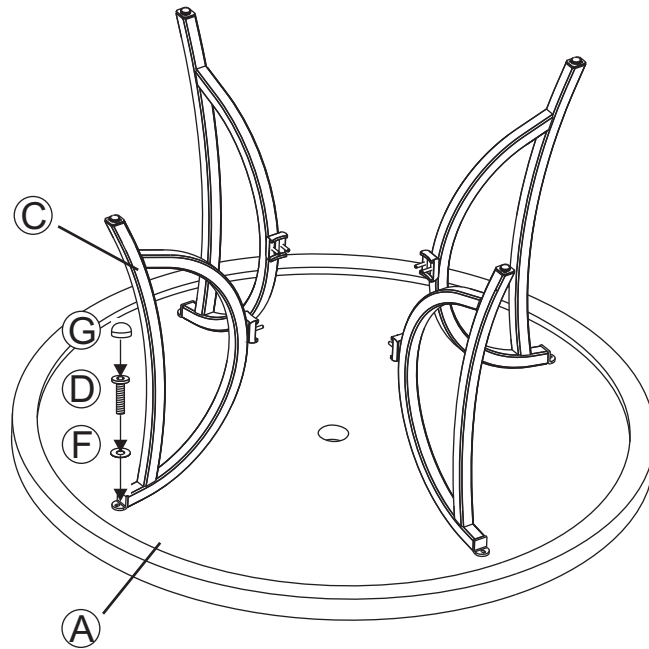


Figure 1

- 2 Attach a leg to the leg connector bracket by carefully guiding the bolts already in place on the table legs (each leg has two bolts) through the holes in the leg connector bracket. Add a washer and a nut to the end of each bolt as shown in the **Figure 2**. **Hand tighten 2-3 turns only**. Repeat on the other three legs.

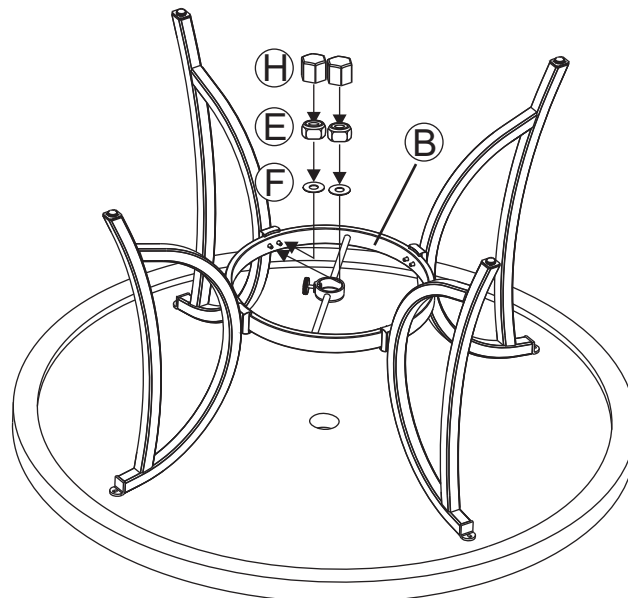
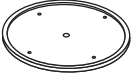
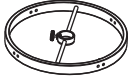

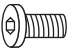










Figure 2

- 3 After making any necessary adjustments to the alignment of the table, use the hex bolt driver to tighten all bolts. Repeat until all bolts are tight. **Do not over tighten**. Over tightening may strip bolts. With the help of another person, turn the table in the upright position.

PARTS IDENTIFICATION LIST

* NOTE: PARTS SHOWN ON PARTS LIST ARE NOT TO SCALE

	<u>PARTS LIST</u>	<u>DESCRIPTION</u>	<u>ORDER PART #</u>	<u>QTY</u>
A		TABLE TOP	AT53135	1
B		LEG CONNECTOR BRACKET	AT53136	1
C		TABLE LEG	AT53137	4
D		1/4" X 18 MM BOLT	HW0035	4
E		1/4" NUT	HW0014	8
F		Ø6.5 X 1.0 MM WASHER	HW0004	12
G		BOLT COVER	HW0105	4
H		NUT COVER	HW0027	8
I		HEX WRENCH	HW0009	1
J		HEX BOLT DRIVER	HW0006	1
		UMBRELLA HOLE PROTECTIVE RING FACTORY ASSEMBLY	G0157	
		FOOT CAP FACTORY ASSEMBLY	FC0612	

ALT19517