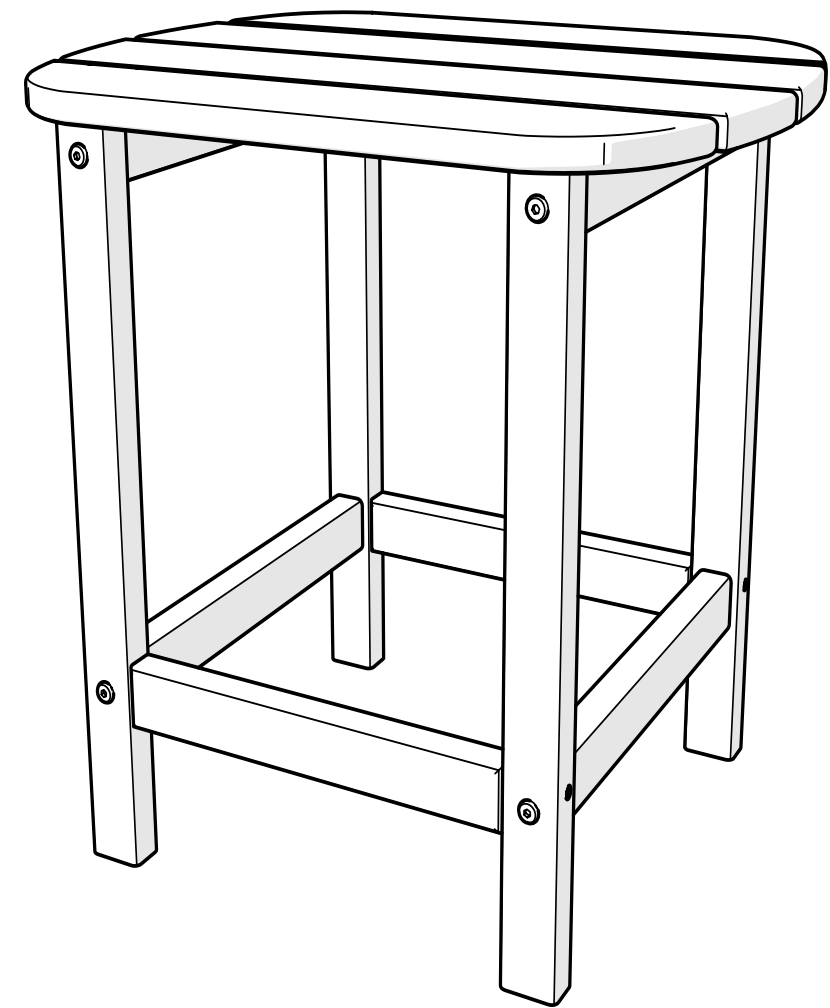


# 18" Side Table

Assembly Instructions



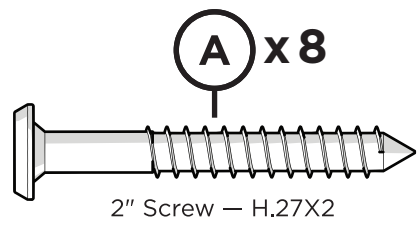
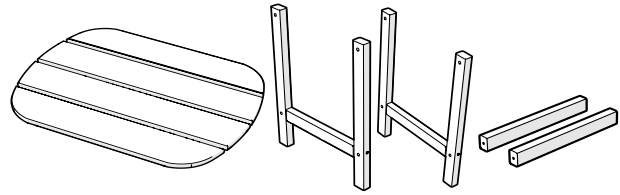
18" Side Table

# TOOLS

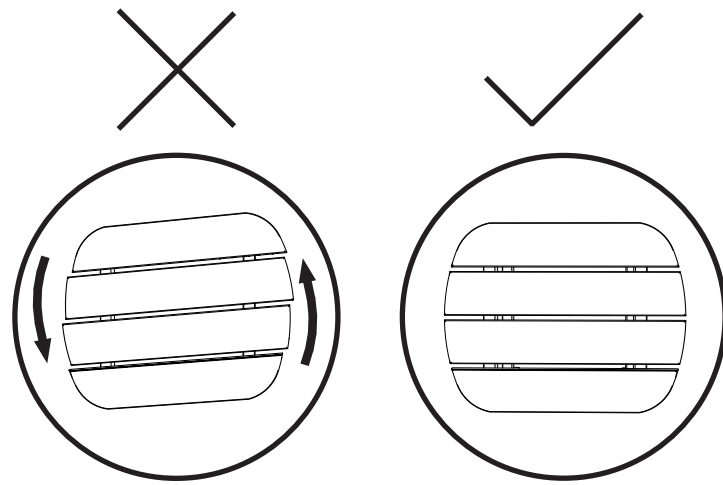
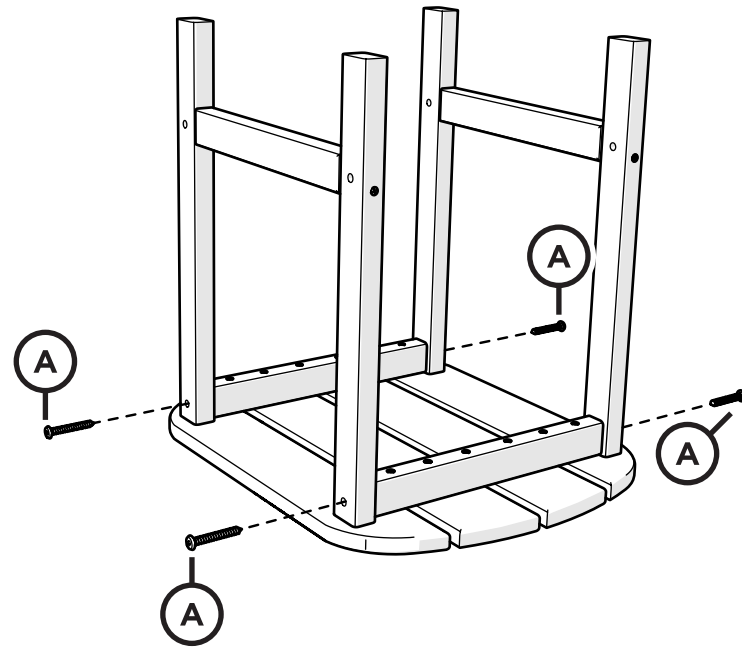


4mm hex key  
(included)

# PARTS



# 1



If top has shifted, please pivot at corners to square up before assembling.

# 2

