

# HANOVER®

## Hanover Outdoor Furniture



### **IMPORTANT**

If you have any problems with this product (missing or damaged parts, assembly issues, etc.),

**PLEASE DO NOT RETURN TO THE RETAILER/STORE**

from where you purchased the product.

Please call our Toll-Free Customer Service Hotline at: **1-877-976-4402**

Between 9:00 AM and 5:00 PM Eastern Time, Monday through Friday

Or visit our website at: **[www.hanover-products.com](http://www.hanover-products.com)**

To expedite any future warranty claims, please retain the Instruction Sheet, Warranty Card and receipt for future use.

For additional on-line support on assembly, troubleshooting and care & maintenance of your outdoor furniture, please visit our website at: **[www.hanover-products.com](http://www.hanover-products.com)**.

# HANOVER®

Model: HVR100

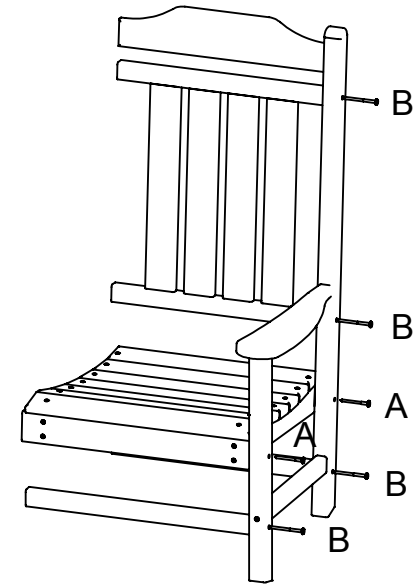
- \_\_\_ (1) Hardware pack
- \_\_\_ (2) Sideframes
- \_\_\_ (2) Rocker bottoms
- \_\_\_ (1) Back
- \_\_\_ (1) Seat
- \_\_\_ (1) Long brace
- \_\_\_ (1) Short brace
- \_\_\_ (1) Head piece

## Step 1

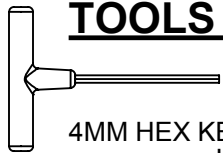
Attach long brace, short brace and back using (4) .27x3" screws.

Attach seat using (2) .27x2 1/2" screws

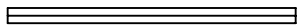
**Note: front of seat is wider**



## TOOLS NEEDED



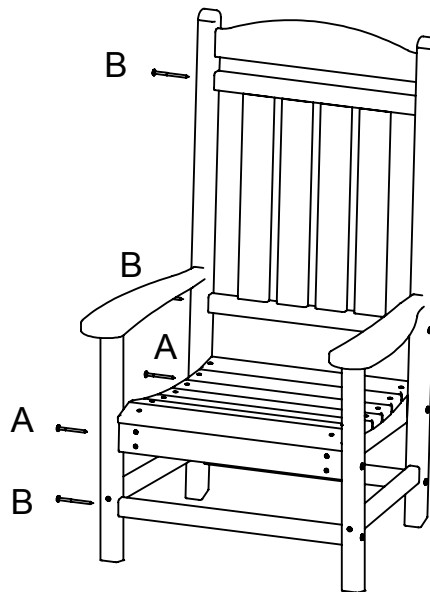
4MM HEX KEY, ALLEN, T-HANDLE INCLUDED



4MM HEX KEY, SHORT, FOR DRILL INCLUDED

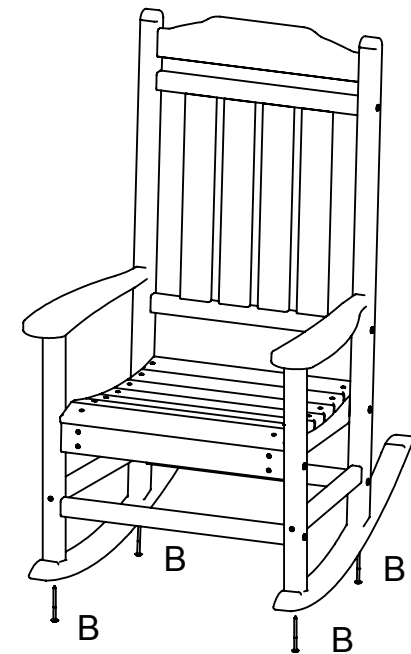
## Step 2

Insert head piece into top of post  
Repeat step 1 on other side



## Step 3

Attach rocker bottoms with (4) .27x3" screws



Qty.	Description
4	A - .273 X 2.50 SOCKET WAFER A
12	B - .273 X 3 SOCKET WAFER A

