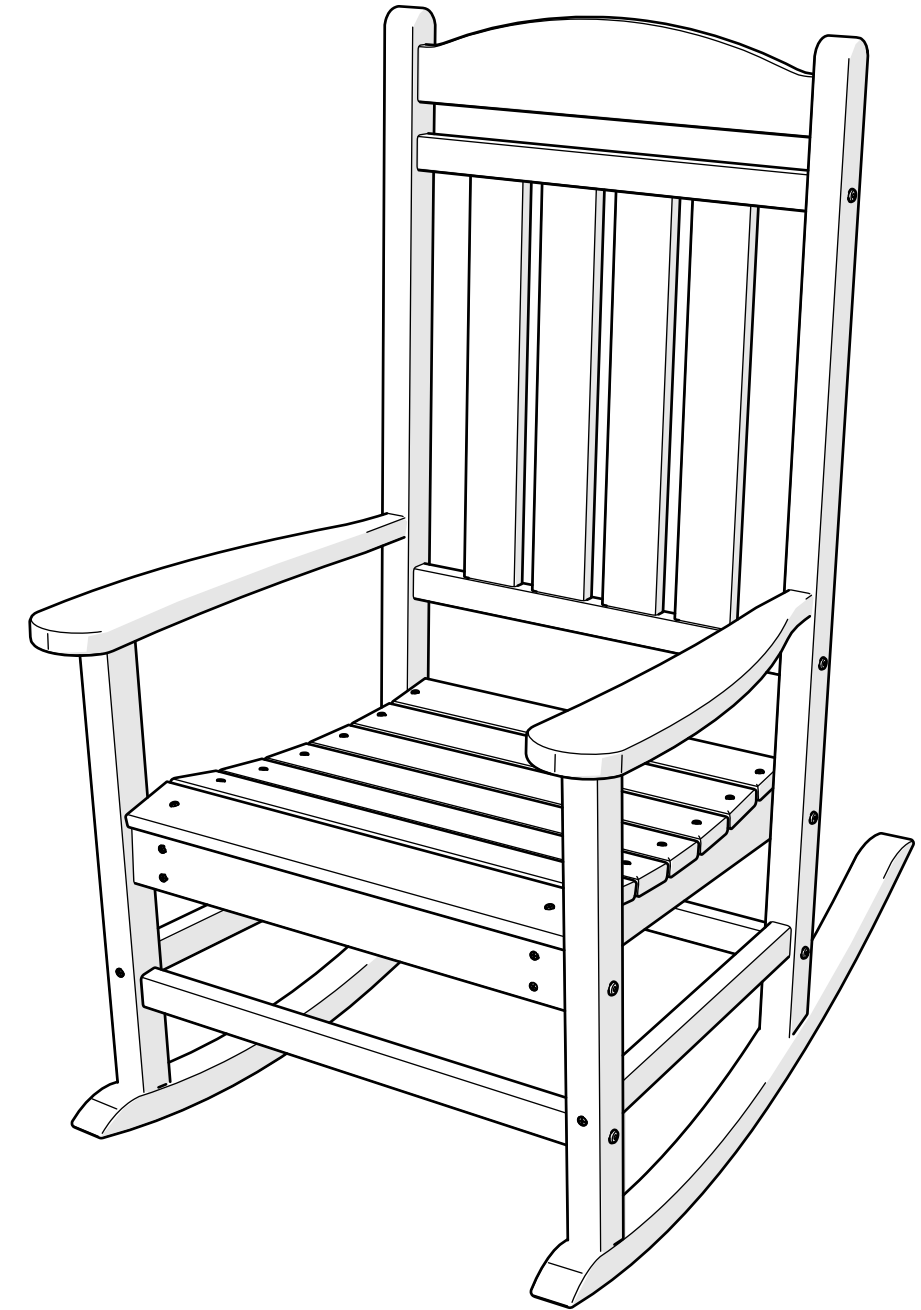
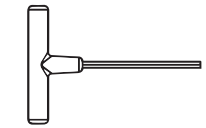


# Pineapple Cay Rocker

## Assembly Instructions



# TOOLS

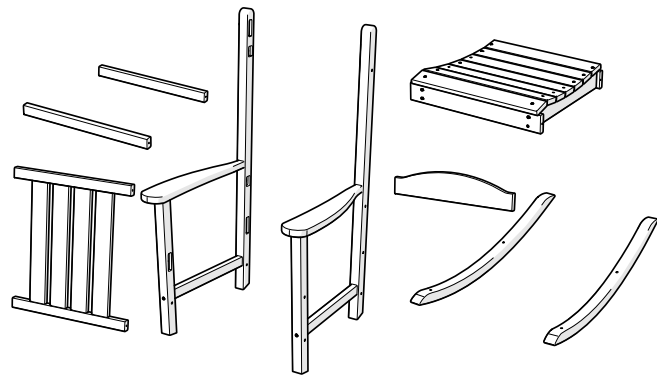


4mm T-handle hex key (included)

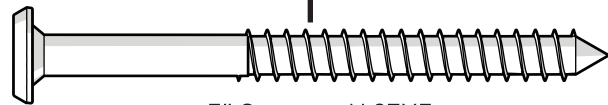


4mm hex, straight, for drill (included)

# PARTS

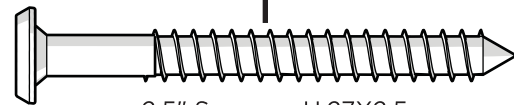


**A** x 8



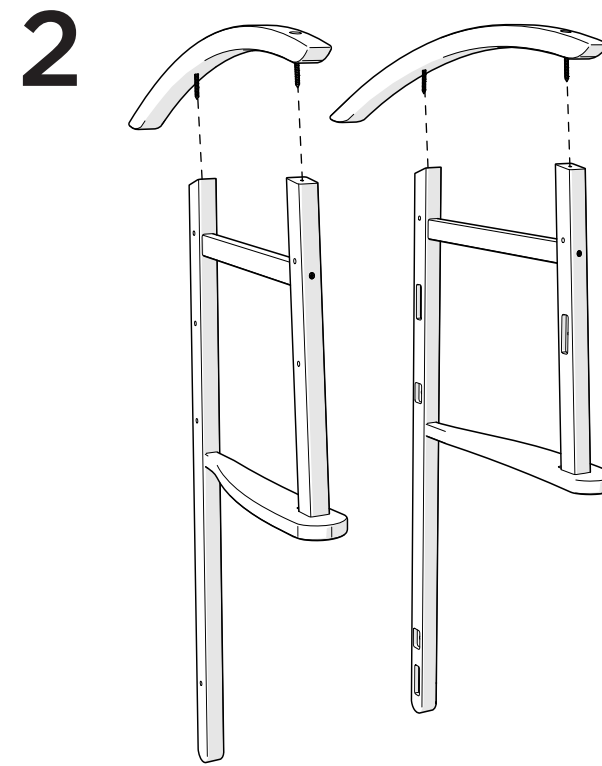
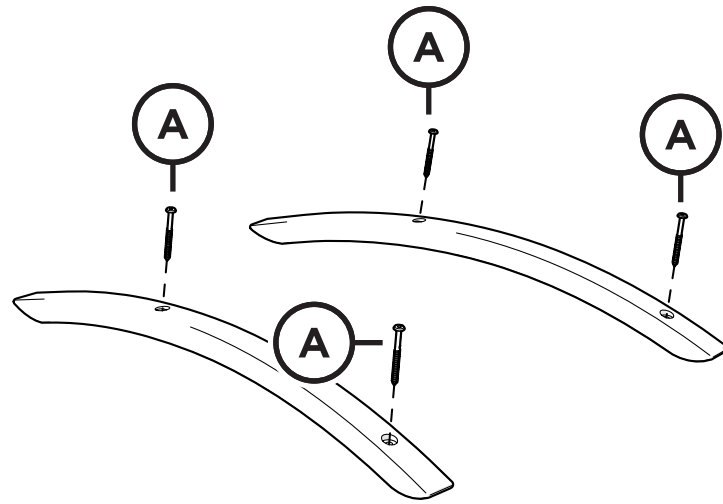
3" Screw — H.27X3

**B** x 8



2.5" Screw — H.27X2.5

**1** Some may find this easier to assemble with a friend.



Partially thread each screw into pilot holes by hand before fully tightening.

