

# HANOVER®

## Hanover Outdoor Furniture



### **IMPORTANT**

If you have any problems with this product (missing or damaged parts, assembly issues, etc.),

**PLEASE DO NOT RETURN TO THE RETAILER/STORE**

from where you purchased the product.

Please call our Toll-Free Customer Service Hotline at: **1-877-976-4402**

Between 9:00 AM and 5:00 PM Eastern Time, Monday through Friday

Or visit our website at: **[www.hanover-products.com](http://www.hanover-products.com)**

To expedite any future warranty claims, please retain the Instruction Sheet, Warranty Card and receipt for future use.

For additional on-line support on assembly, troubleshooting and care & maintenance of your outdoor furniture, please visit our website at: **[www.hanover-products.com](http://www.hanover-products.com)**.

**Step 1**

Lay back assembly on the floor  
Attach the side frames with (4) 2 1/4" bolts  
Do not tighten bolts yet fig.1

**Step 2**

Insert (2) pins into pre-drilled holes  
on the back assembly. fig.1

**Step 3**

Set bench upright. First, attach the front  
part of the seat using (2) 2 1/4" bolts. fig.2

**Step 4**

Push the rear part of the seat up into  
the pins located on the back assembly.  
Attach the rear of the seat using  
(2) 2 1/4" bolts. fig. 2

Tighten all bolts at this time

- (2) Sideframe
- (1) Seat
- (1) Back
- (1) Hardware pack

**TOOLS NEEDED**

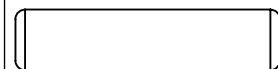


4mm HEX KEY, ALLEN, T-HANDLE  
(INCLUDED)

Qty.	Description
------	-------------

	A - 5/16 PLASTIC PINS
--	-----------------------

2



	B - 1/4-20 X 2-1/4 WAFER SHCS
--	-------------------------------

8

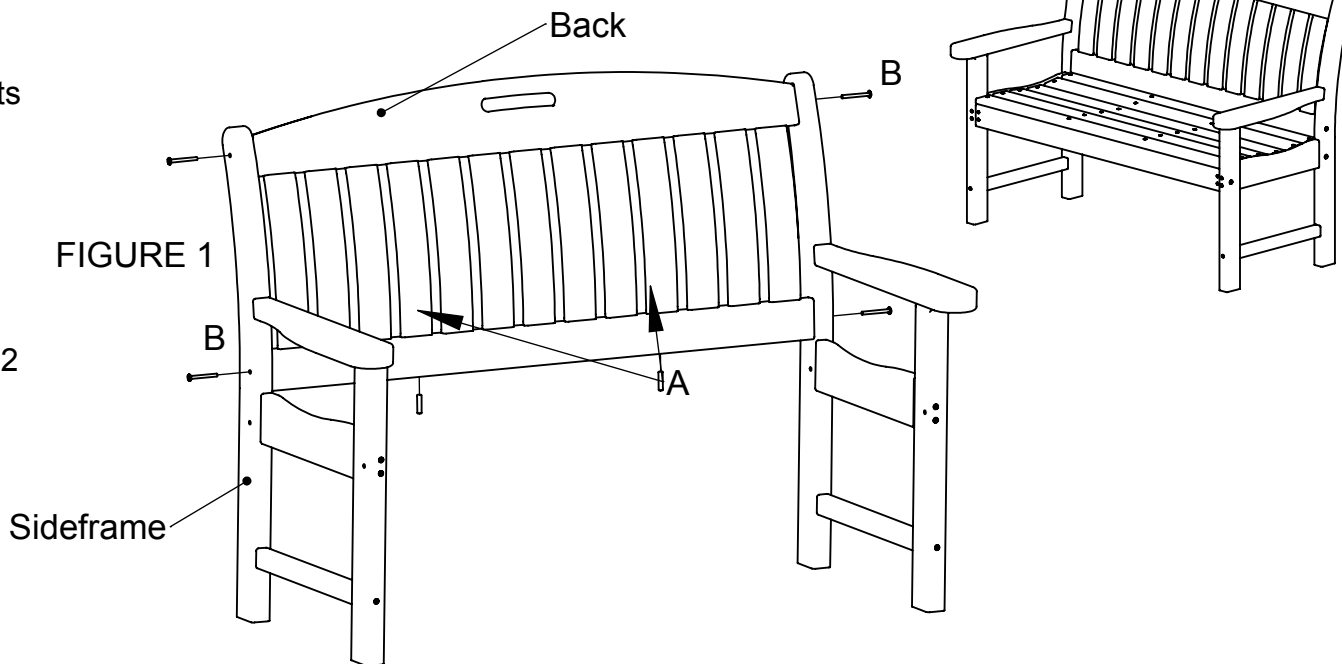


FIGURE 1

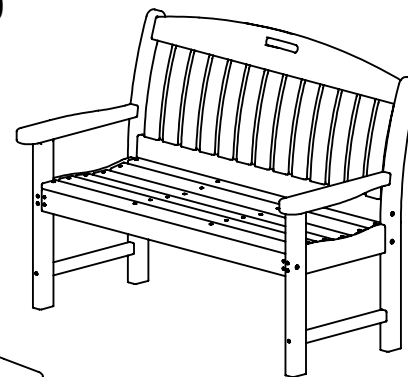


FIGURE:2

