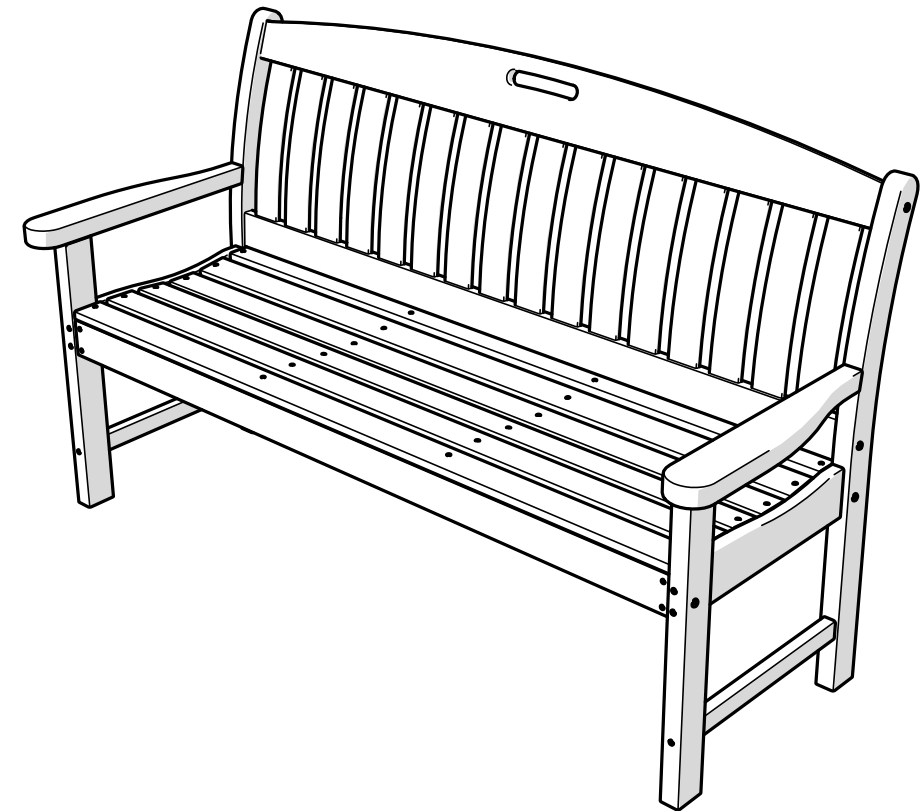


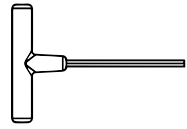
AVALON 48 & 60 BENCH

Assembly Instructions



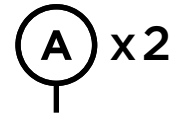
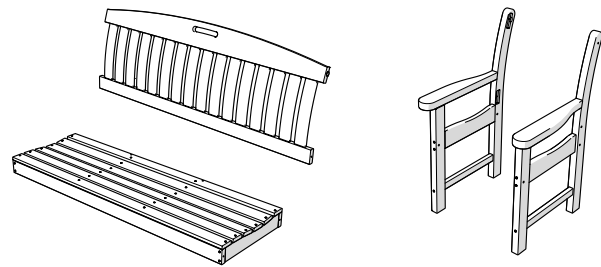
Avalon 48 & 60 Bench

TOOLS



4mm T-handle hex key (included)

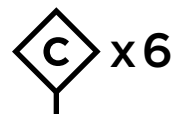
PARTS



5/16" Push Pin - H5.16PP

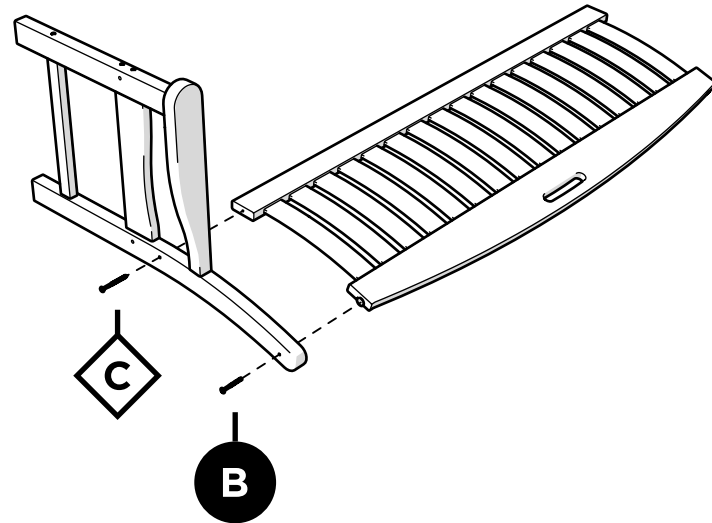


2.25" Bolt - H.25-20X2.25

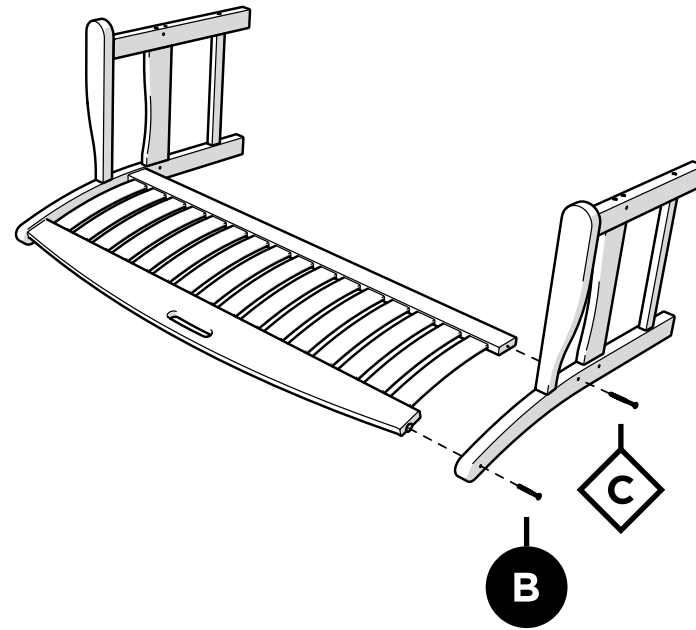


3" Screw - H.27X3

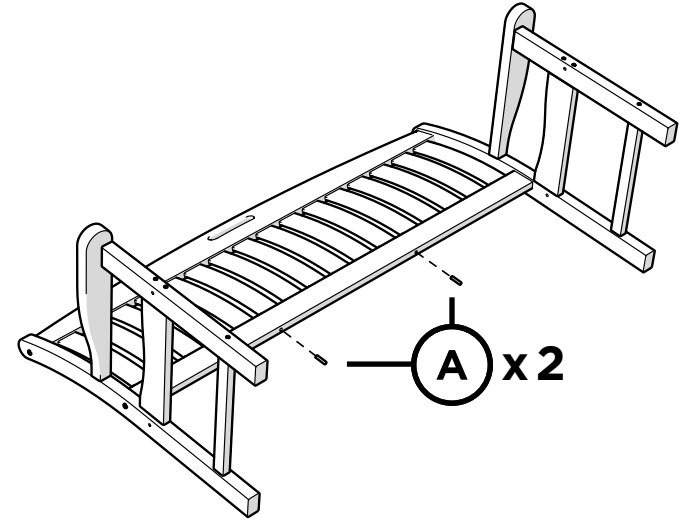
1



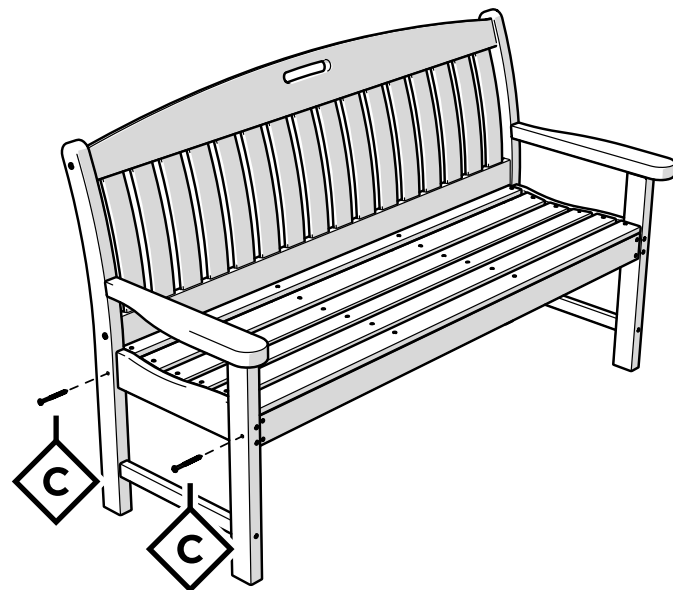
2



3



4



5

