

HANOVER®

Hanover Outdoor Furniture



IMPORTANT

If you have any problems with this product (missing or damaged parts, assembly issues, etc.),

PLEASE DO NOT RETURN TO THE RETAILER/STORE

from where you purchased the product.

Please call our Toll-Free Customer Service Hotline at: **1-877-976-4402**

Between 9:00 AM and 5:00 PM Eastern Time, Monday through Friday

Or visit our website at: **www.hanover-products.com**

To expedite any future warranty claims, please retain the Instruction Sheet, Warranty Card and receipt for future use.

For additional on-line support on assembly, troubleshooting and care & maintenance of your outdoor furniture, please visit our website at: **www.hanover-products.com**.

Step 1

Lay back assembly on the floor
Attach the side frames with (4) 2 1/4" bolts
Do not tighten bolts yet fig.1

Step 2

Insert (2) pins into pre-drilled holes
on the back assembly. fig.1

Step 3

Set bench upright. First, attach the front
part of the seat using (2) 2 1/4" bolts. fig.2

Step 4

Push the rear part of the seat up into
the pins located on the back assembly.
Attach the rear of the seat using
(2) 2 1/4" bolts. fig. 2

Tighten all bolts at this time

- (2) Sideframe
- (1) Seat
- (1) Back
- (1) Hardware pack

TOOLS NEEDED



4mm HEX KEY, ALLEN, T-HANDLE
(INCLUDED)

Qty.	Description
------	-------------

2	A - 5/16 PLASTIC PINS
---	-----------------------



8	B - 1/4-20 X 2-1/4 WAFER SHCS
---	-------------------------------



ASSEMBLY INSTRUCTIONS

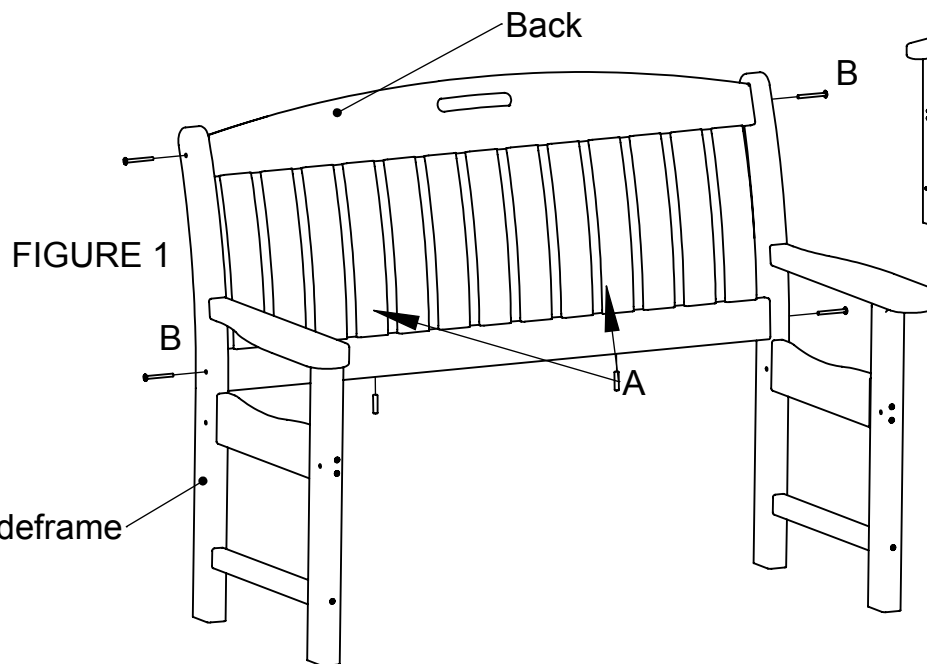


FIGURE 1

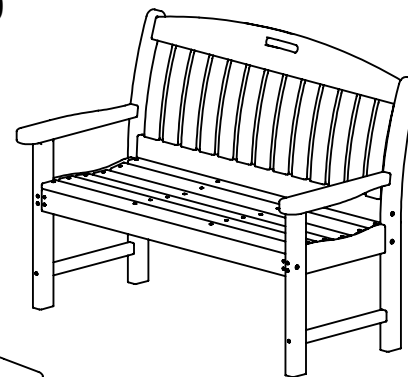


FIGURE:2

