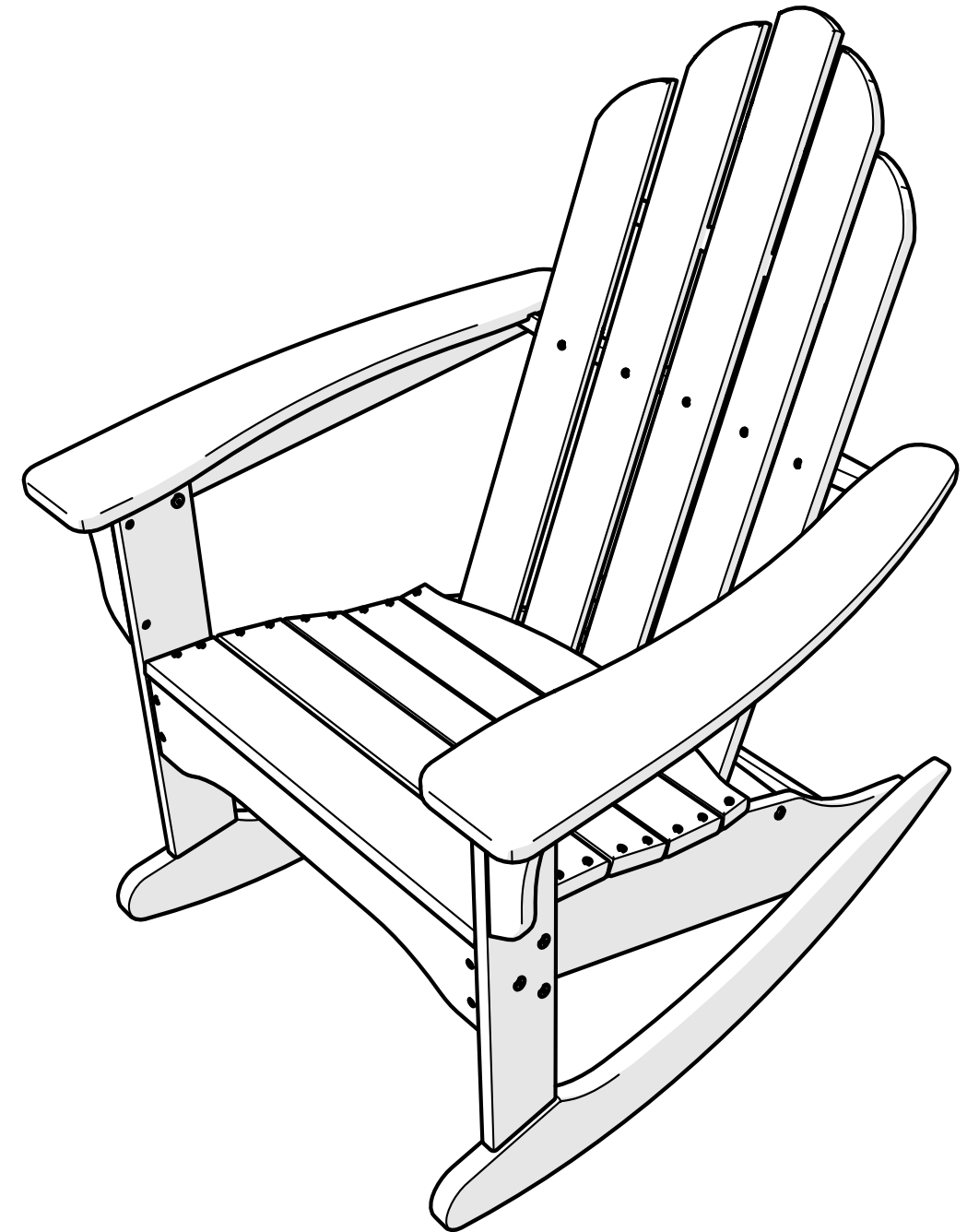


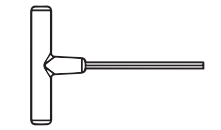
# Adirondack Rocker

## Assembly Instructions

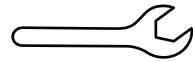


Adirondack Rocker

## TOOLS

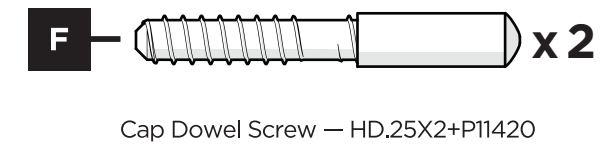
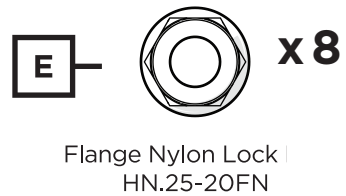
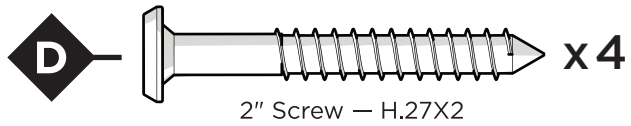
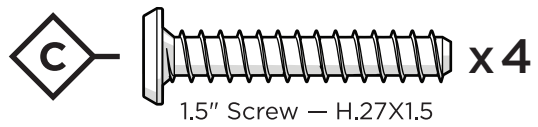
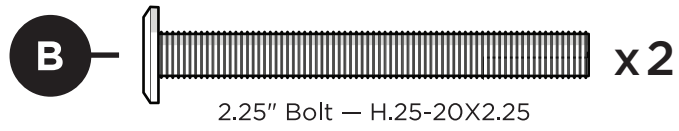
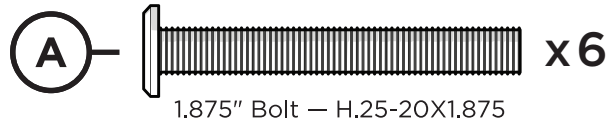
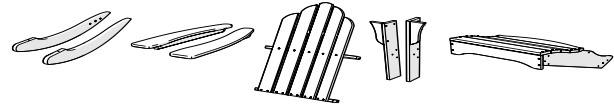


4mm T-handle  
hex key (included)



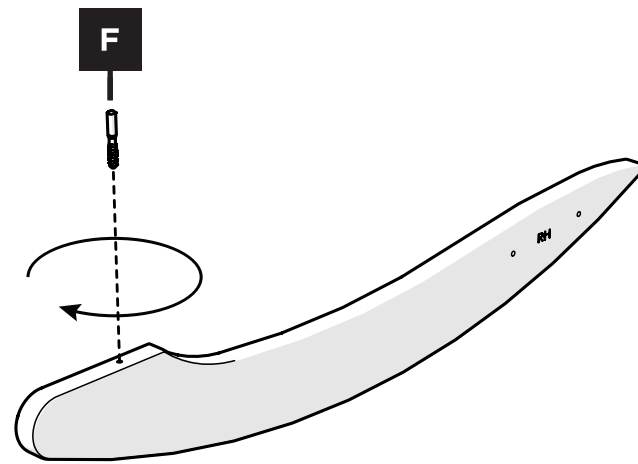
7/16" wrench  
(not included)

## PARTS



1

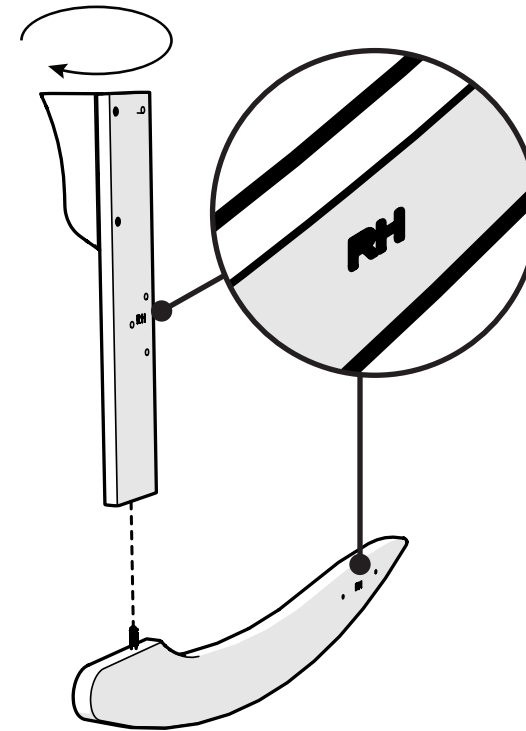
Twist dowel screw into rocker until  
finger-tight, remove protective cap



Repeat other side

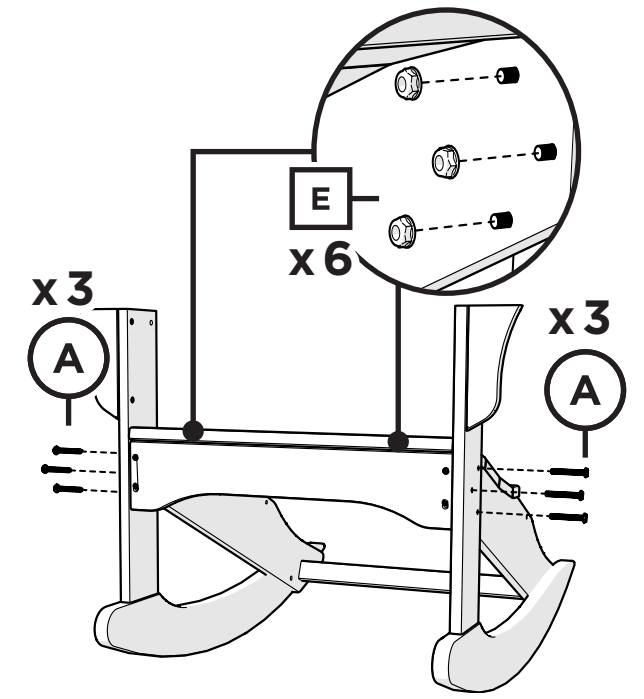
2

Match RH leg with RH rocker

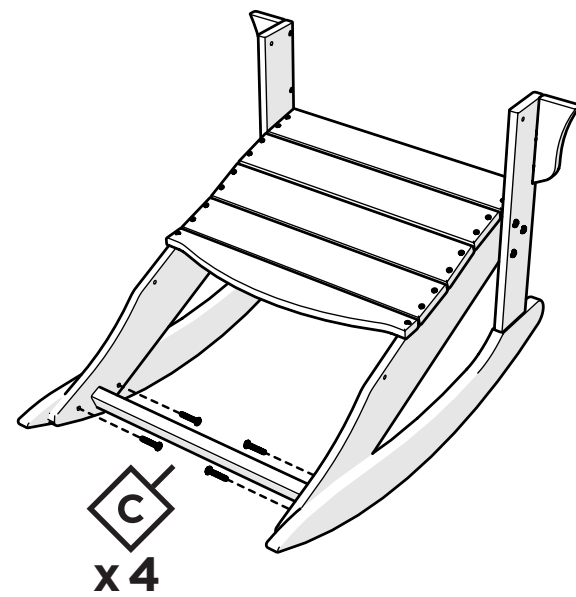


Repeat with LH parts

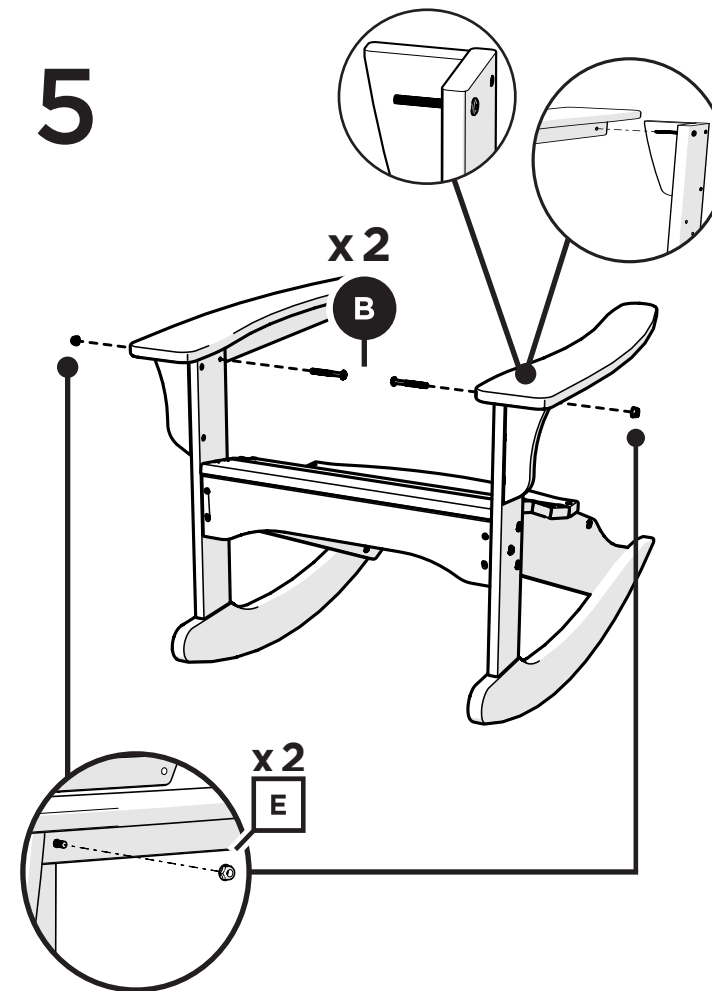
3



4



5



6

