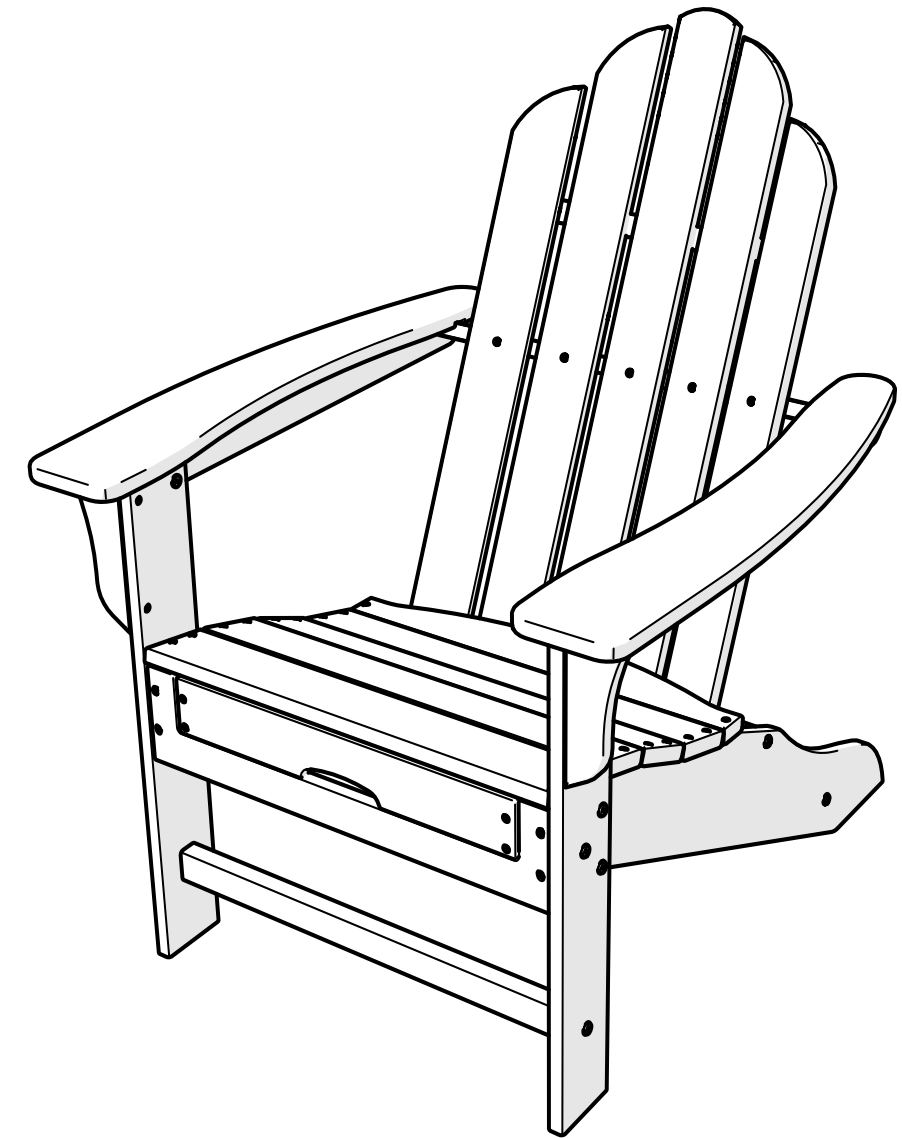


Ultimate Adirondack Chair

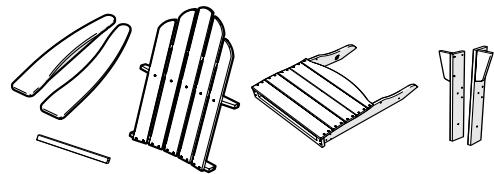


Ultimate Adirondack Chair

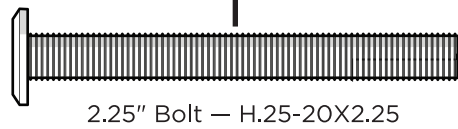
TOOLS



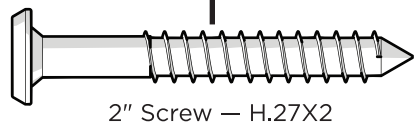
PARTS



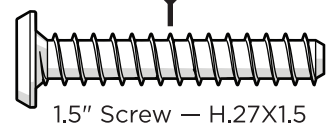
A x 2



B x 6



C x 6

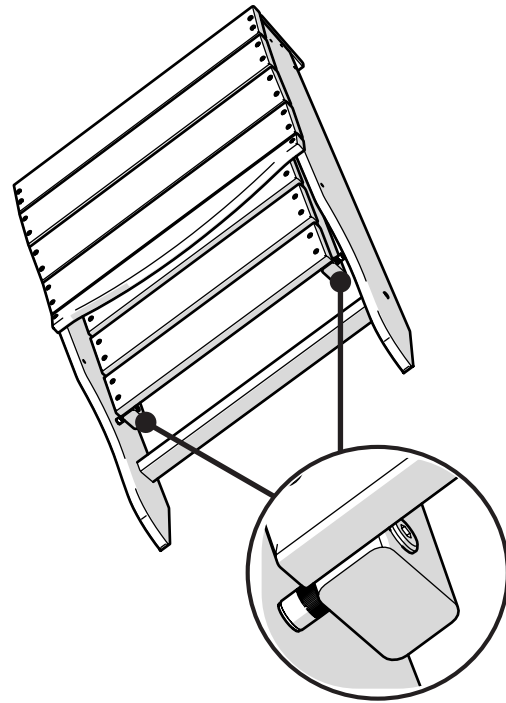


D



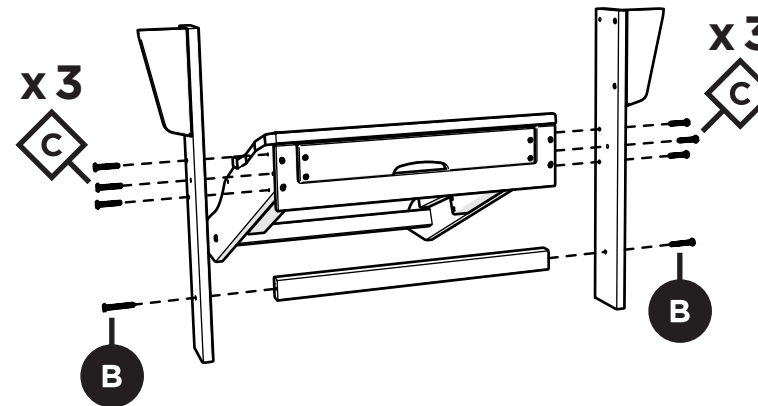
Flange Nylon Lock Nut
HN.25-20FN

1

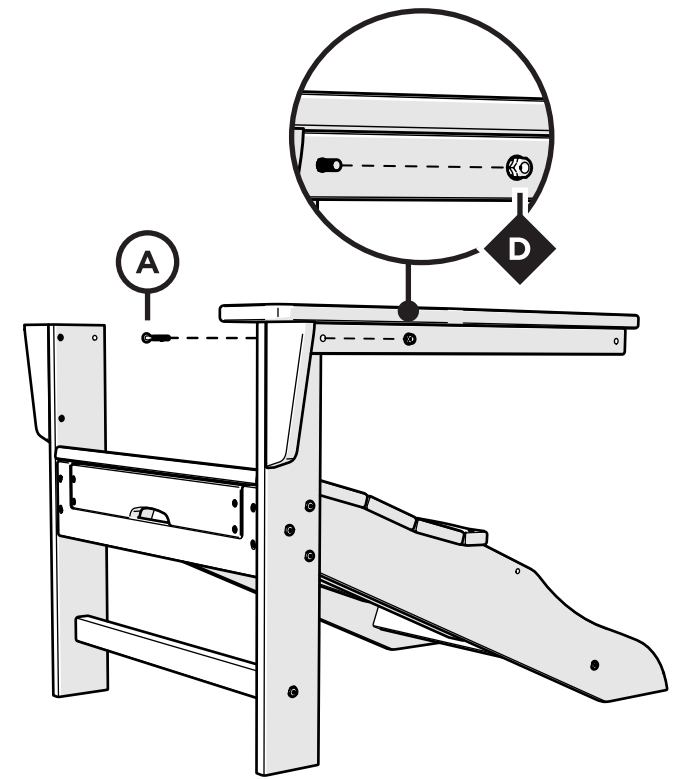


If the rivet nuts and bolts (included) are loose, hand-tighten them.

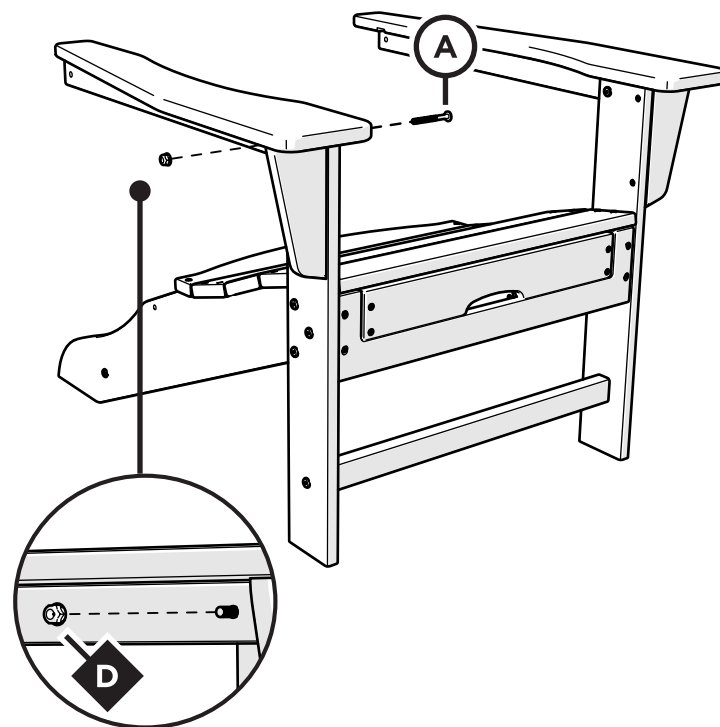
2



3



4



5

