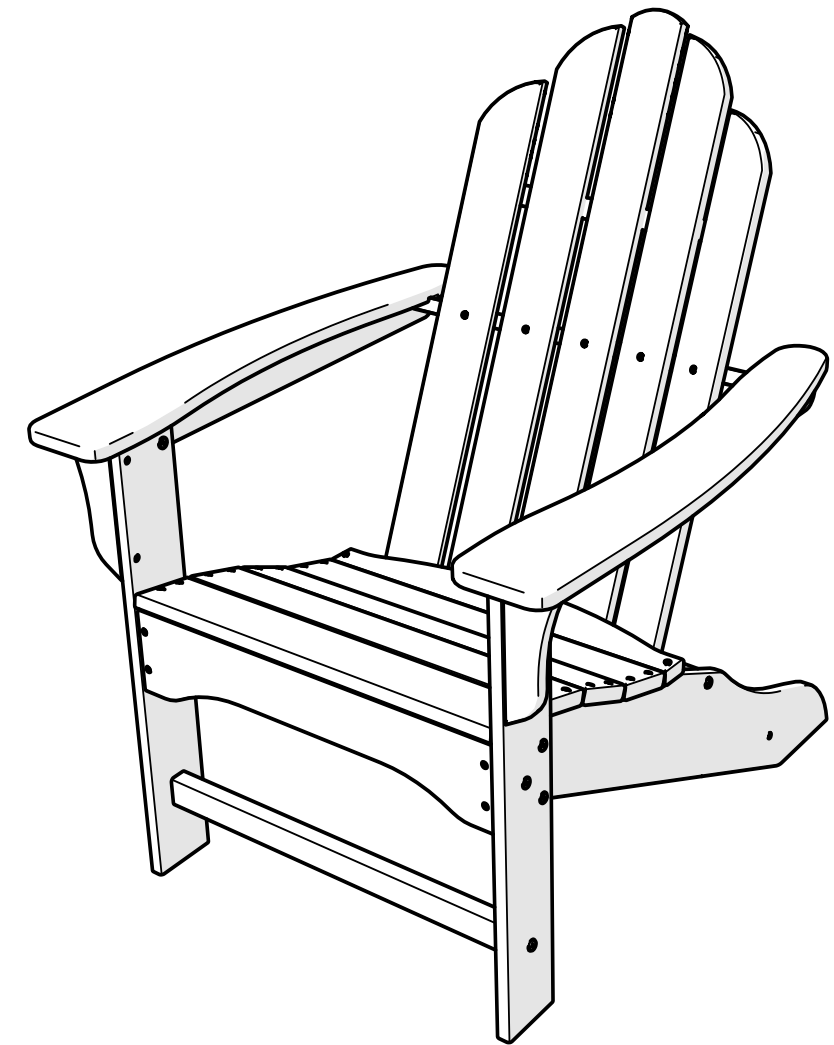


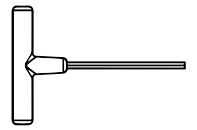
# Adirondack Chair

Assembly Instructions

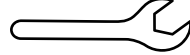


Adirondack Chair

# TOOLS

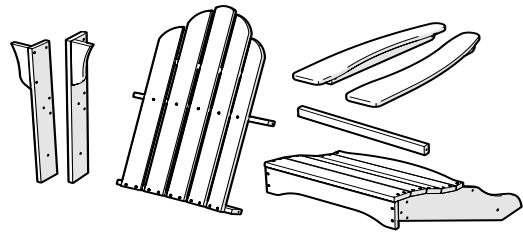


4mm T-handle hex key (included)



7/16" wrench (not included)

# PARTS



**A** x2



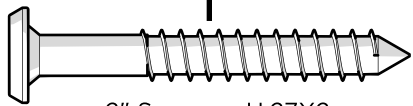
2.25" Bolt — H.25-20X2.25

**B** x6



1.875" Bolt — H.25-20X1.875

**C** x6



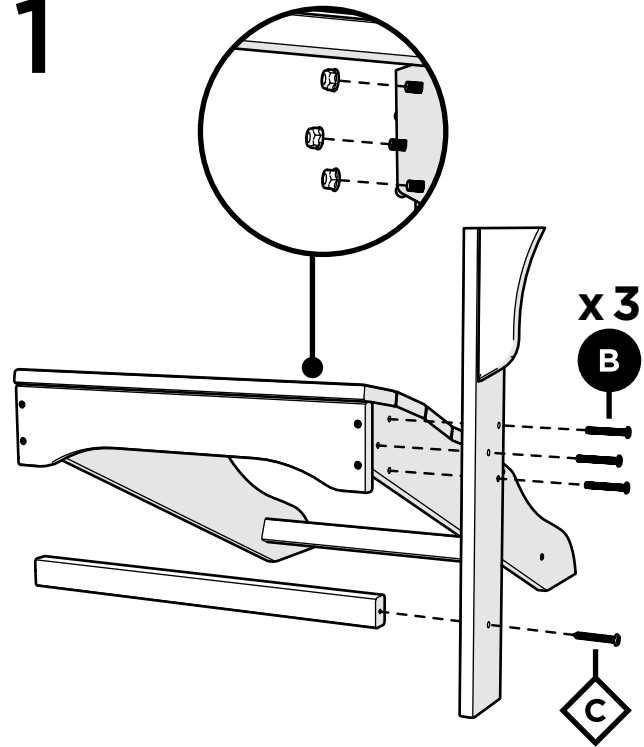
2" Screw — H.27X2



**x8**

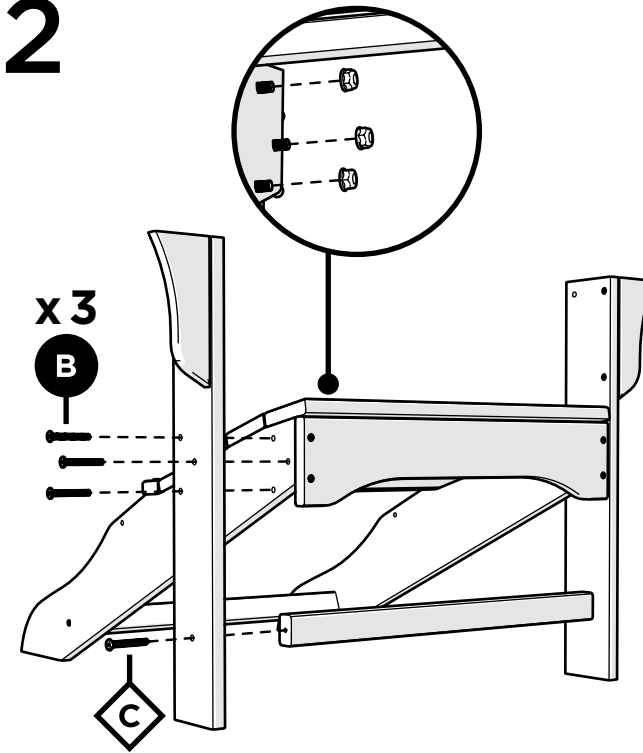
Flange Nylon Lock Nut  
HN.25-20FN

**1**



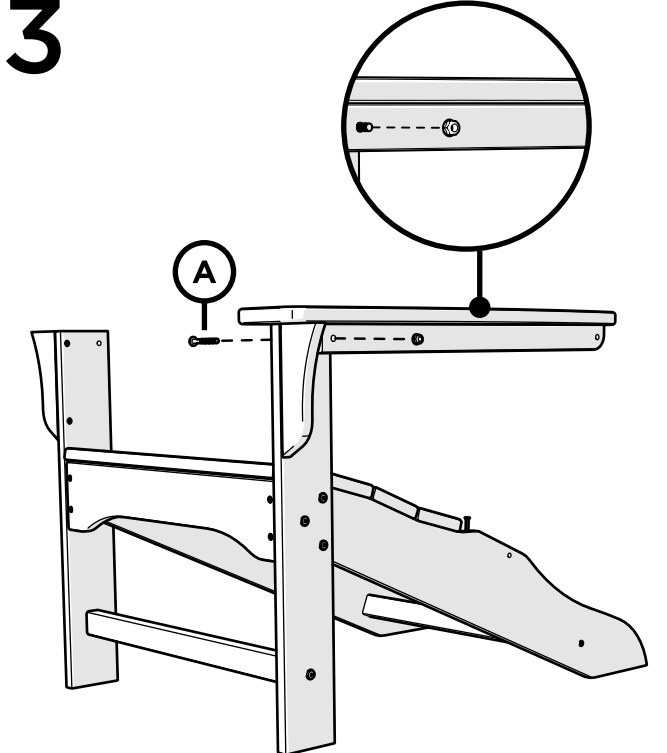
**x3**

**2**



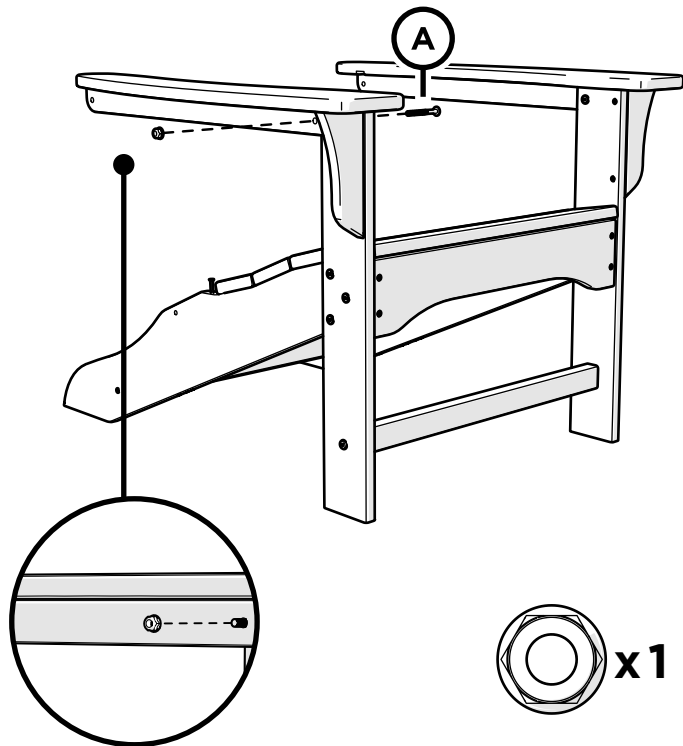
**x3**

**3**



**x1**

**4**



**x1**

**5**

