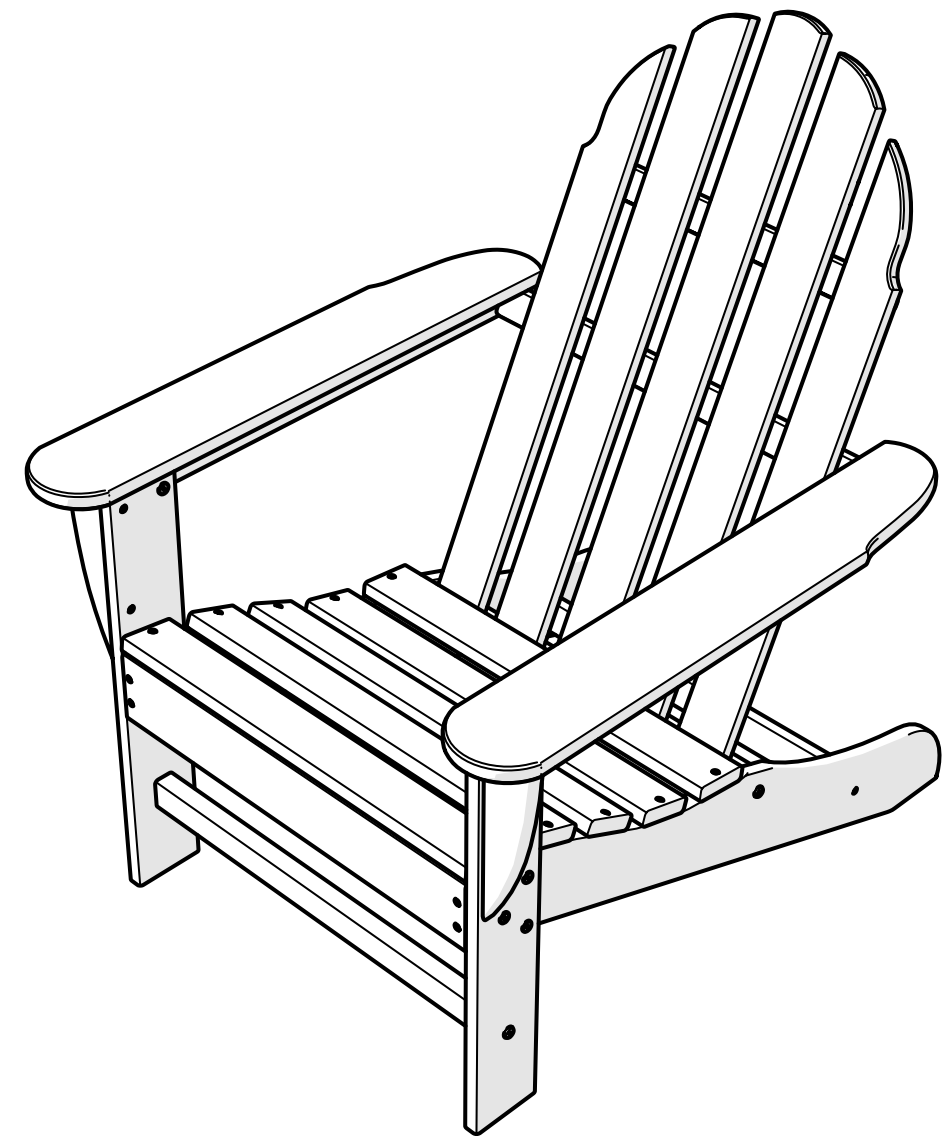


Traditional Adirondack Chair

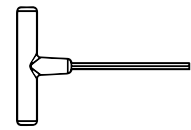
Assembly Instructions



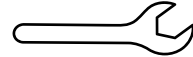
Traditional Adirondack Chair

02/18/2019

TOOLS

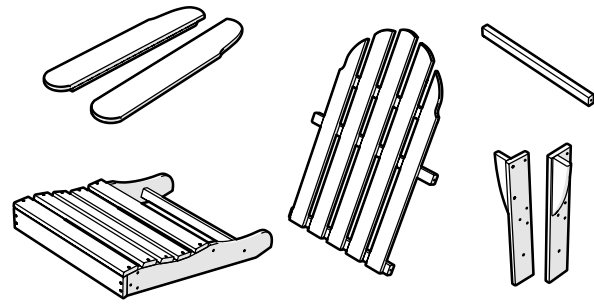


4mm T-handle hex key (included)



7/16" wrench (not included)

PARTS

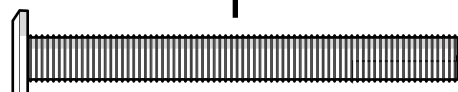


A x6



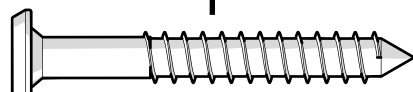
1.875" Bolt — H.25-20X1.875

B x2

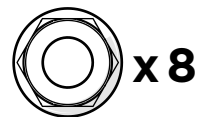


2.25" Bolt — H.25-20X2.25

C x6



2" Screw — H.27X2

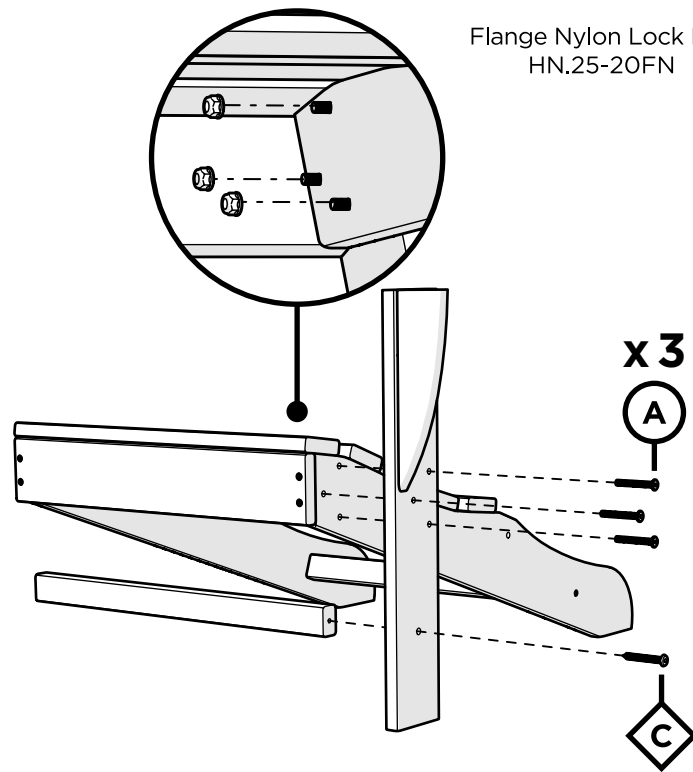


Flange Nylon Lock Nut HN.25-20FN

1



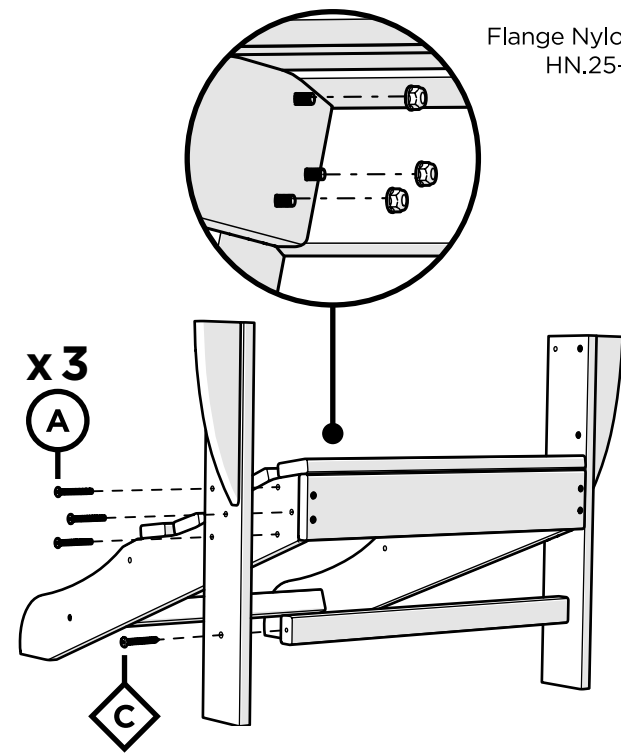
Flange Nylon Lock Nut HN.25-20FN



2



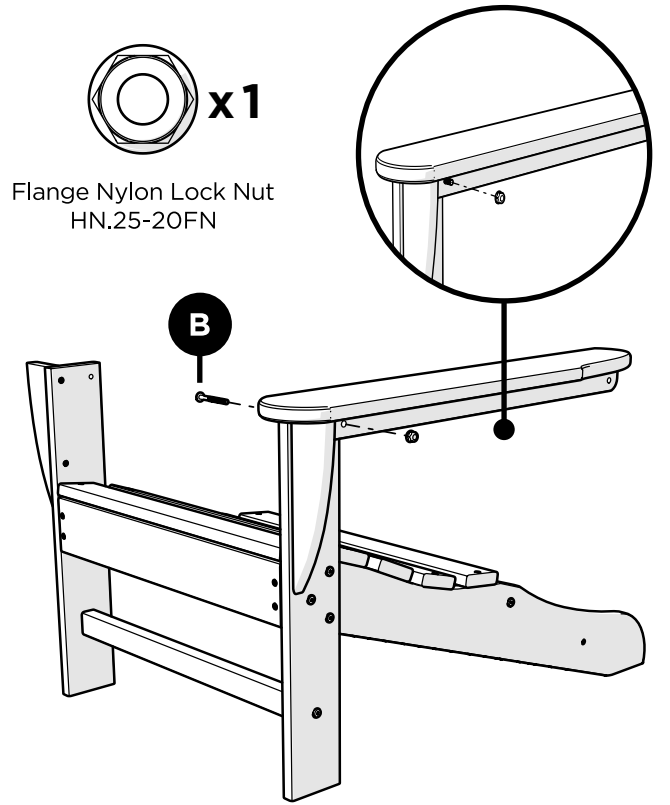
Flange Nylon Lock Nut HN.25-20FN



3



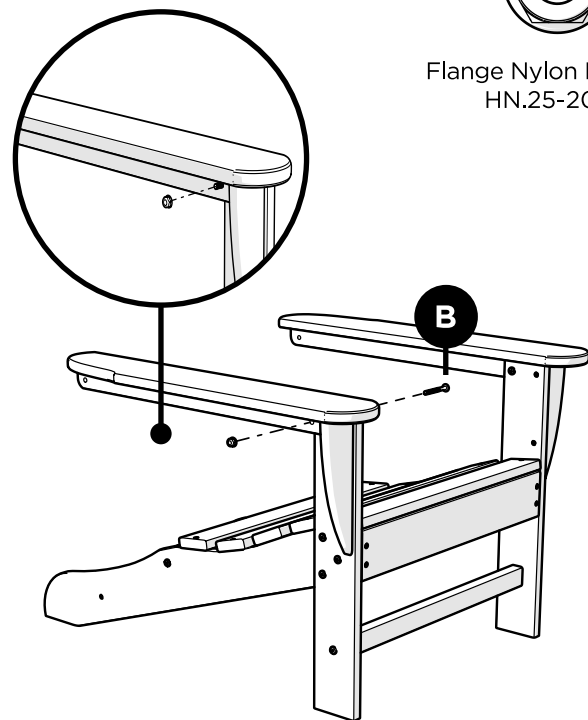
Flange Nylon Lock Nut HN.25-20FN



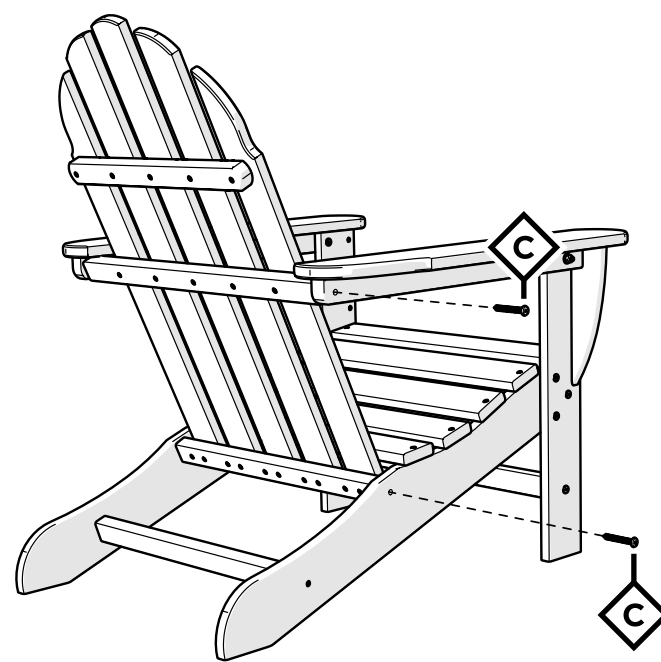
4



Flange Nylon Lock Nut HN.25-20FN



5



6

