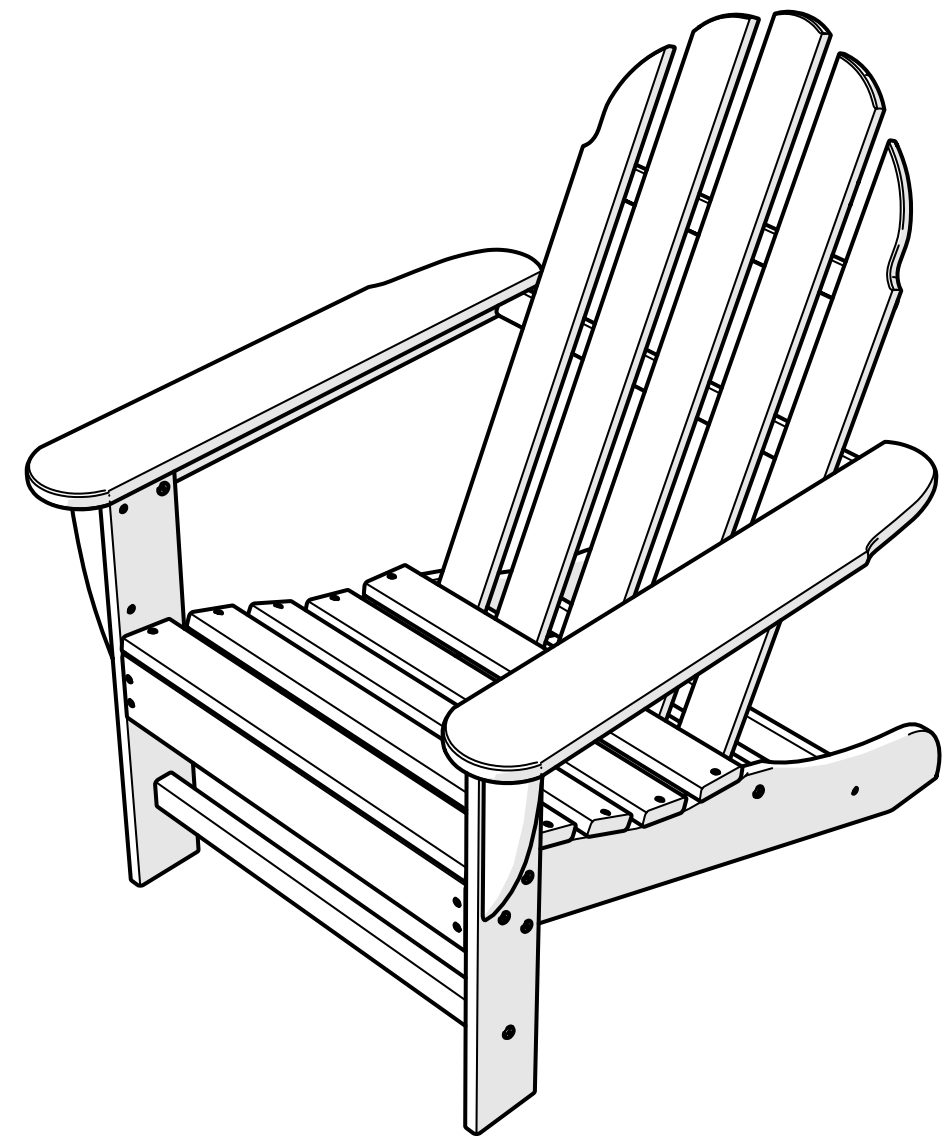


Traditional Adirondack Chair

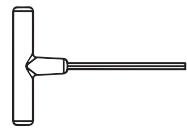
Assembly Instructions



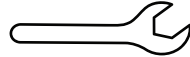
**Traditional Adirondack
Chair**

04/27/2021

TOOLS

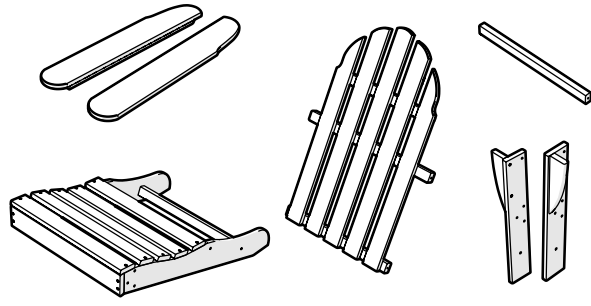


4mm T-handle hex key (included)



7/16" wrench (not included)

PARTS



A x6



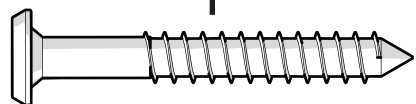
1.875" Bolt — H.25-20X1.875

B x2



2.25" Bolt — H.25-20X2.25

C x6



2" Screw — H.27X2

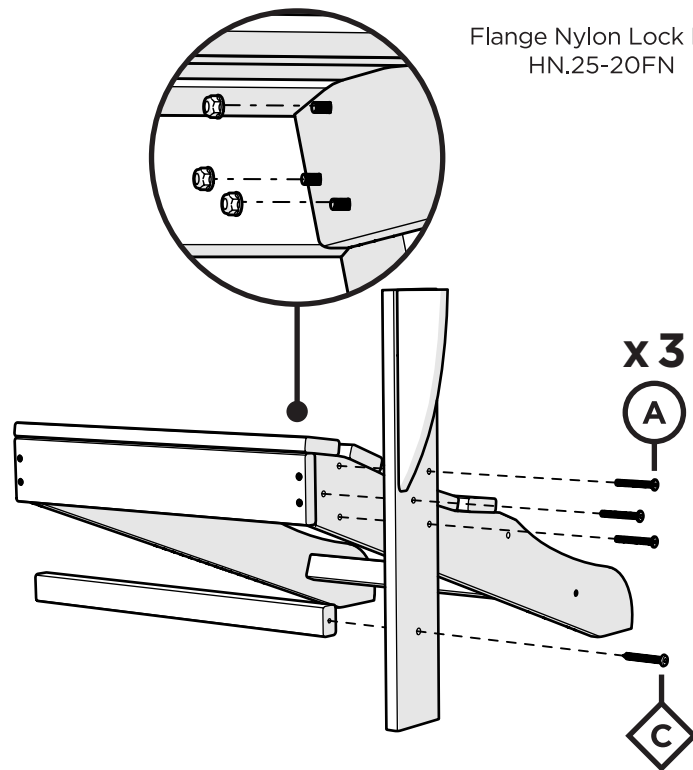
x8

Flange Nylon Lock Nut
HN.25-20FN

1

x3

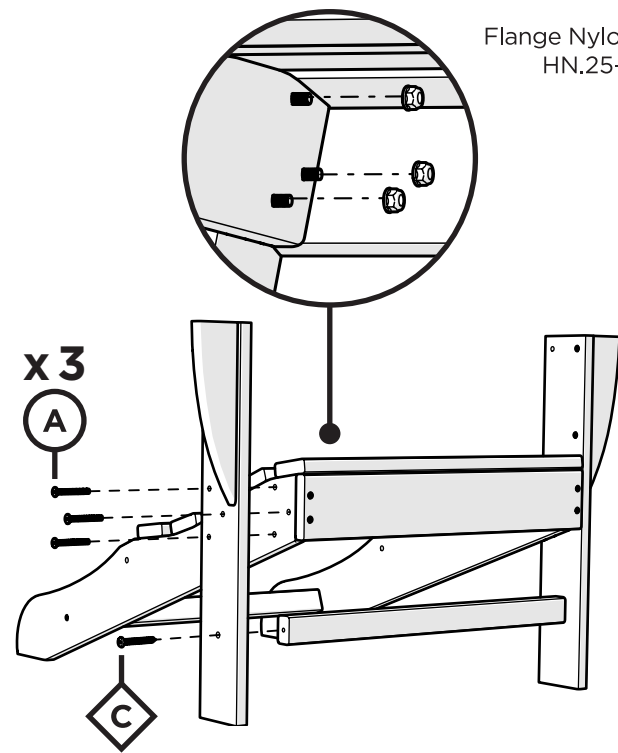
Flange Nylon Lock Nut
HN.25-20FN



2

x3

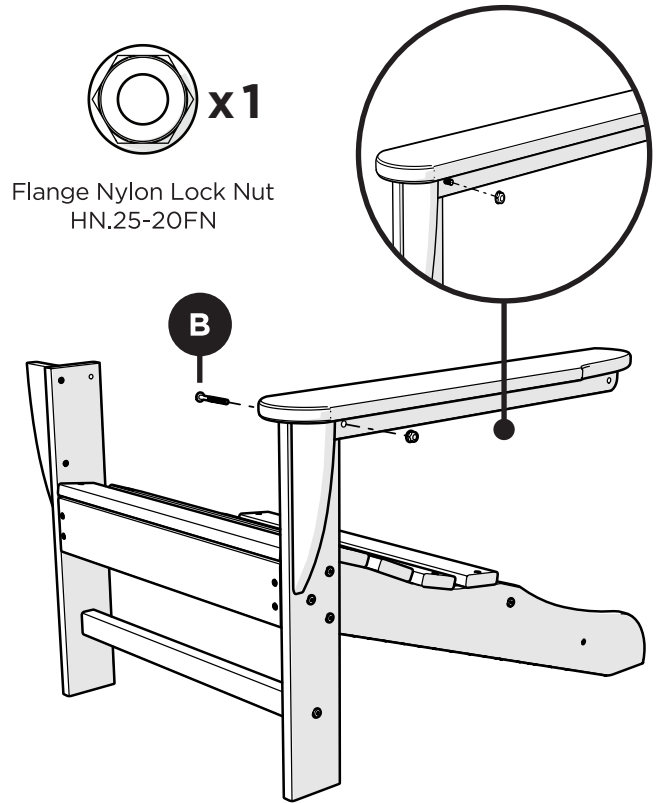
Flange Nylon Lock Nut
HN.25-20FN



3

x1

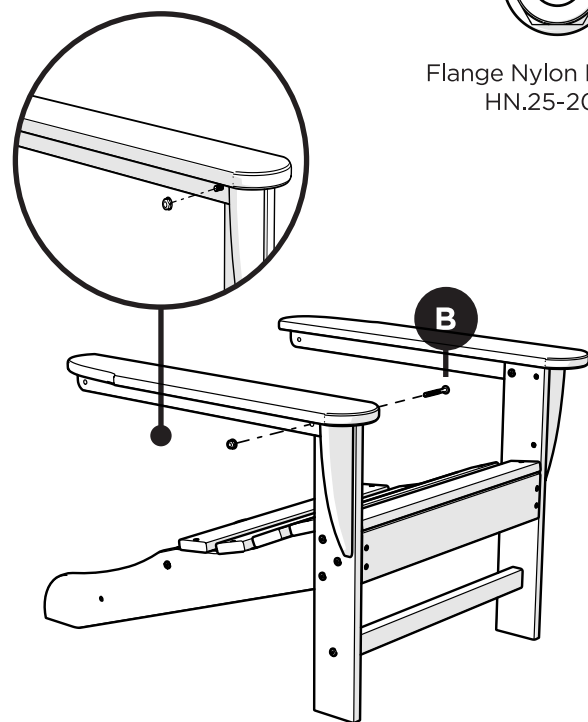
Flange Nylon Lock Nut
HN.25-20FN



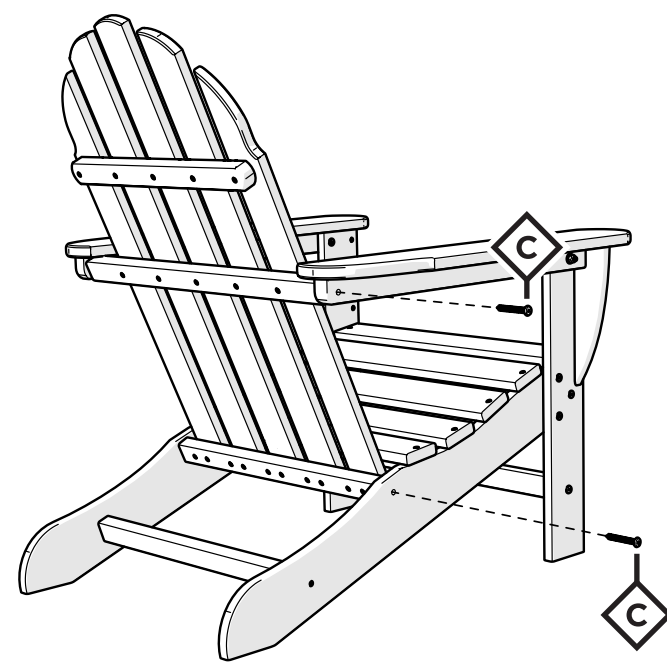
4

x1

Flange Nylon Lock Nut
HN.25-20FN



5



6

