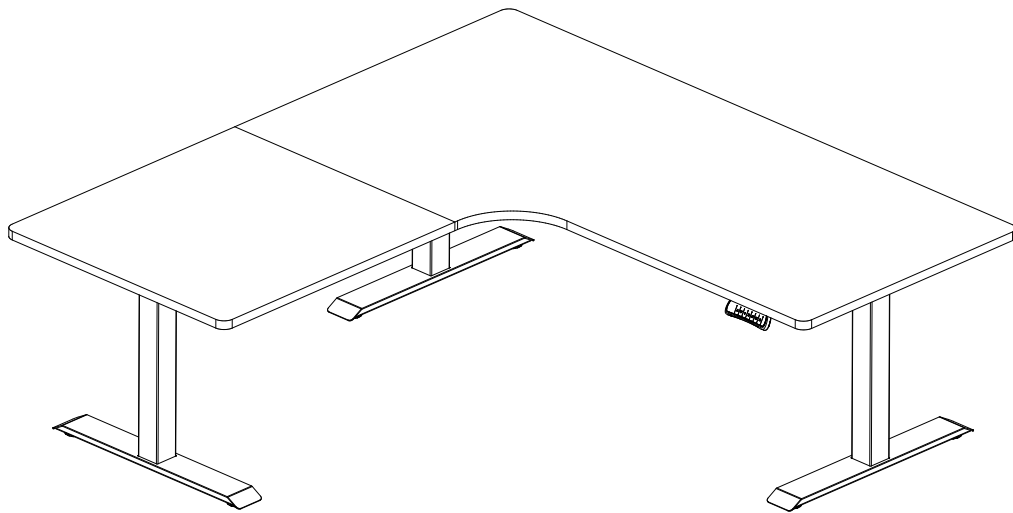


Assembly & Care Guide For Motorized Lift Desk

MODEL: 9810452



Lift Desk Assembly Instructions

The model number of your desk is printed on the side of your carton.

Always use this number to identify your desk.

Thank you for your purchase of this quality office furniture. With proper use and care, your desk will provide you with years of use. Please follow the instructions on how to assemble and disassemble your desk. If you should have any problems with your desk DO NOT return it to the place of purchase. Please refer to the trouble shooting section of this manual or call our toll free number: **877-397-5144** and a customer service representative will assist you.

Your Packages Includes:

1 Desktop, 1 Desk Base, 1 Hand Switch (Display Panel), 1 Cable Management Tray, Power Accessories, & Hardware

Please read all instructions completely before assembling your desk.

Technical Specifications:

Columns	3
Maximum Load	330lbs
Height Range	23"-48"

Table of Contents

Safety Information

Parts List and Breakdowns

Installing the Support Beams

Installing the Feet

Installing the Auxiliary Beam and Support Plate

Connecting the Cables

Installing the Tabletop, Hand Switch (Display Panel), and Control Box

Installing the Cable Management Tray

Hand Switch (Display Panel) Operation

Trouble Shooting

Warranty

Safety Information







- Power Supply: AC100V-240V, 50/60HZ.
- Check carefully to ensure correct and complete assembly before using.
- Be familiar with all functions and program settings before first use.
- Applicable temperature 0-104°F.
- Unplug the power supply before cleaning.
- Dust the surface with a dry cloth.
- Slight noise caused by the V-ribbed belt or brake system due to structure will not have any effect on the use of the equipment.
- Keep children away from motorized height adjustable desks, control units, and handsets to avoid risk of injury and electric shock.
- Keep all electrical components away from liquids.
- Do not sit or stand on the desk frame.
- Do not crawl or lie under the desk frame.
- Do not place any objects taller than 20" underneath the desk.
- Do not open any of the components; legs, control box, or switch box, to avoid the risk of injury or electric shock.
- In the event of a power outage or if the power cord is unplugged, a manual reset may be necessary. See reset procedure in troubleshooting section.
- This motorized adjustable desk has electric motors and is designed for use in dry areas only.
- The desk height is adjustable so that it can be positioned at the most ergonomically suitable height.
- Any other use is at user's risk.

Parts List

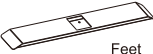



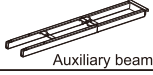
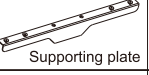

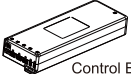
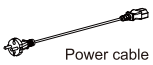

Tools Required:

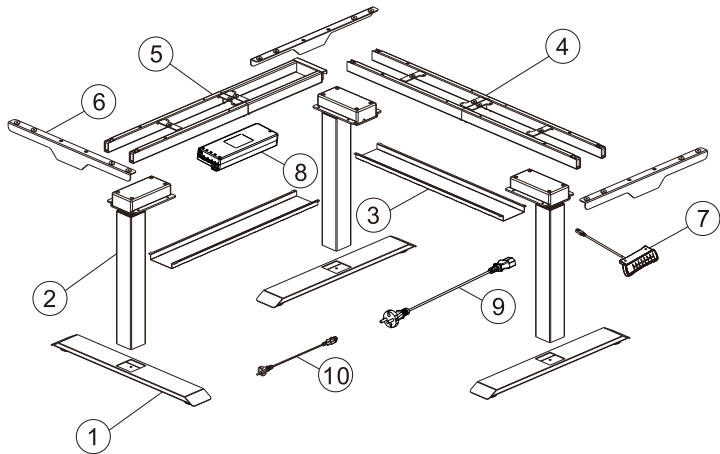
Allen Key Wrench (Included), Phillips Head Screwdriver (Not included)

Hardware List:

No.	Image	Spec	Qty
A		M6	6
B		M6	8
C		M6	12
D		M6	16
E		St4.2	24
F		Wrench 0.16"x0.16"	1

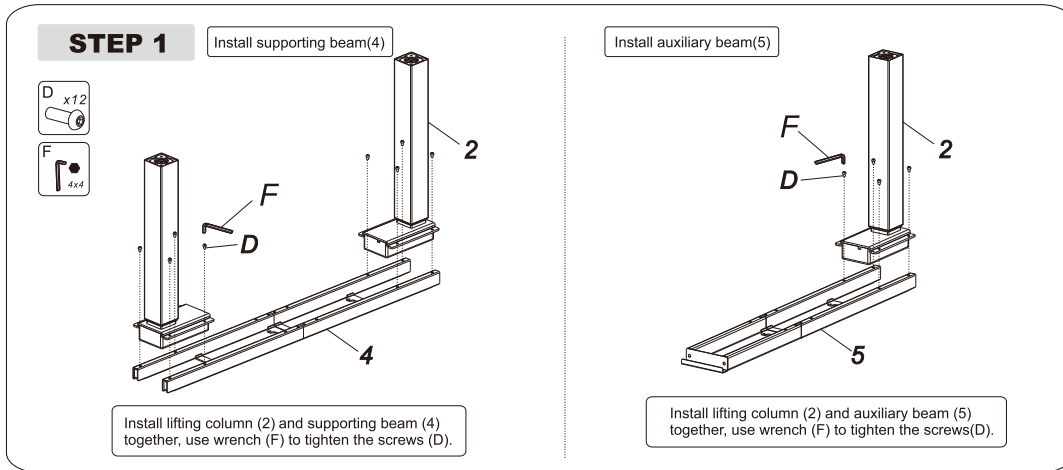
Parts List:

①	 Foot	3	②	 Lifting Column	3
③	 Cable Management	2	④	 Supporting Beam	1
⑤	 Auxiliary beam	1	⑥	 Supporting plate	3
⑦	 Hand Switch	1	⑧	 Control Box	1
⑨	 Power cable	1	⑩	 Cable	1

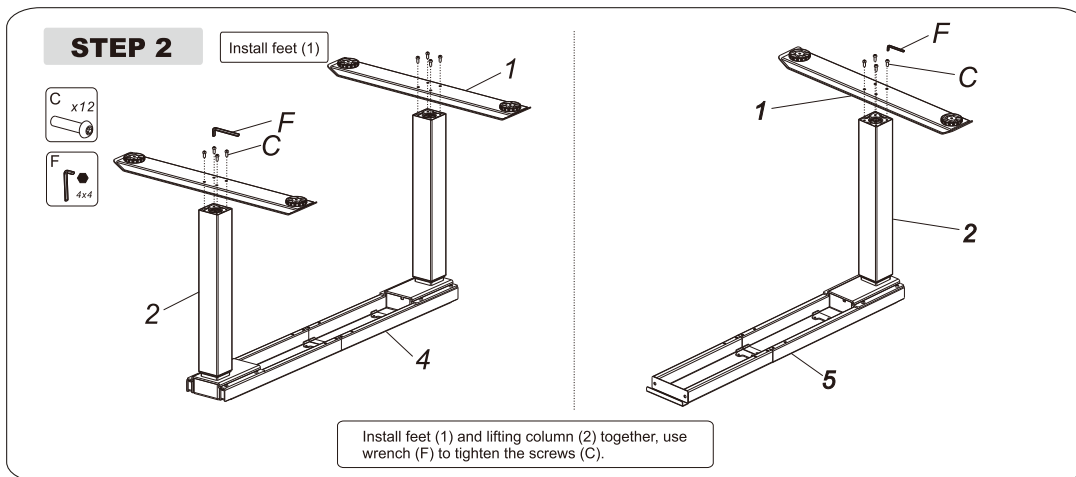


Assembly Instructions

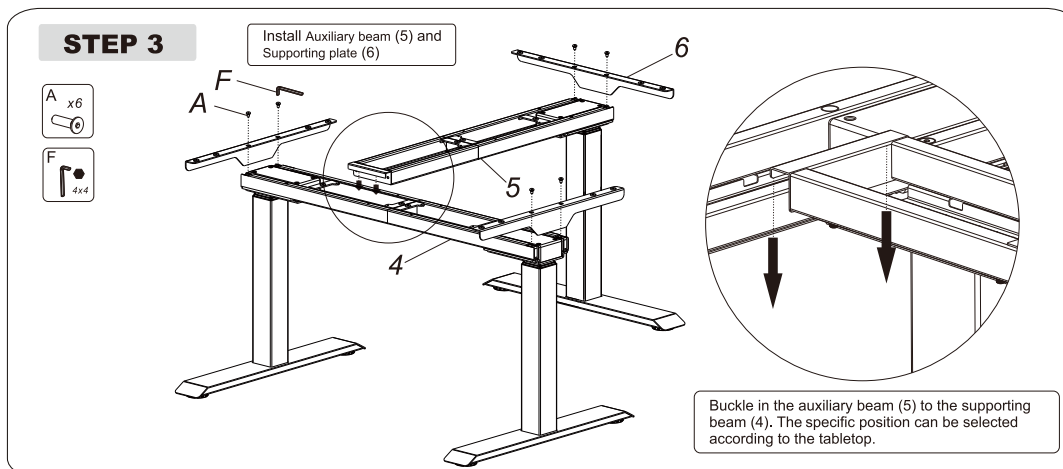
Step 1: Installing the Support Beams



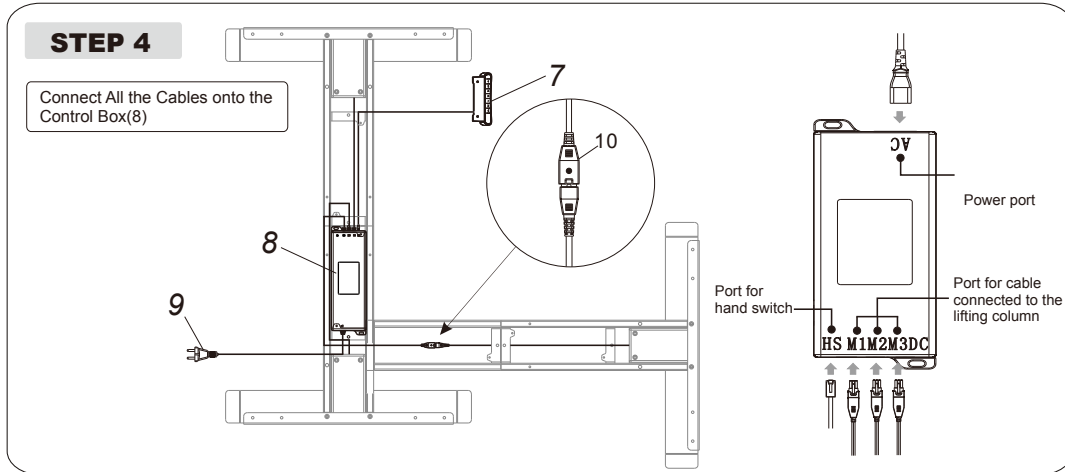
Step 2: Installing the Feet



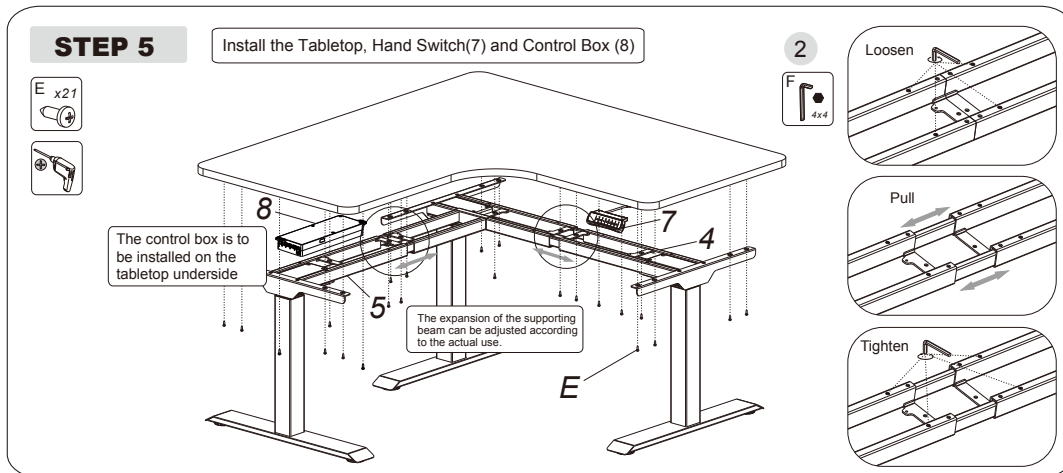
Step 3: Installing the Auxiliary Beam and Support Plate



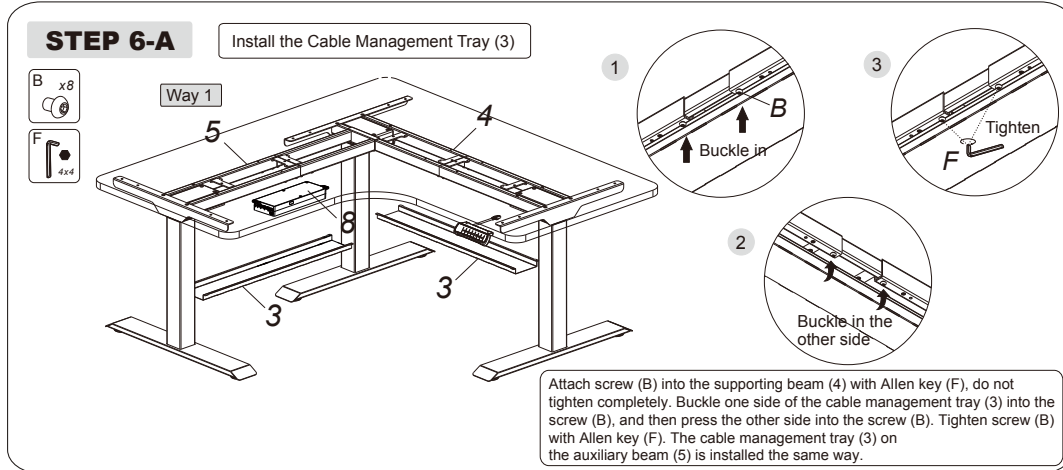
Step 4: Connecting the Cables to the Control Box



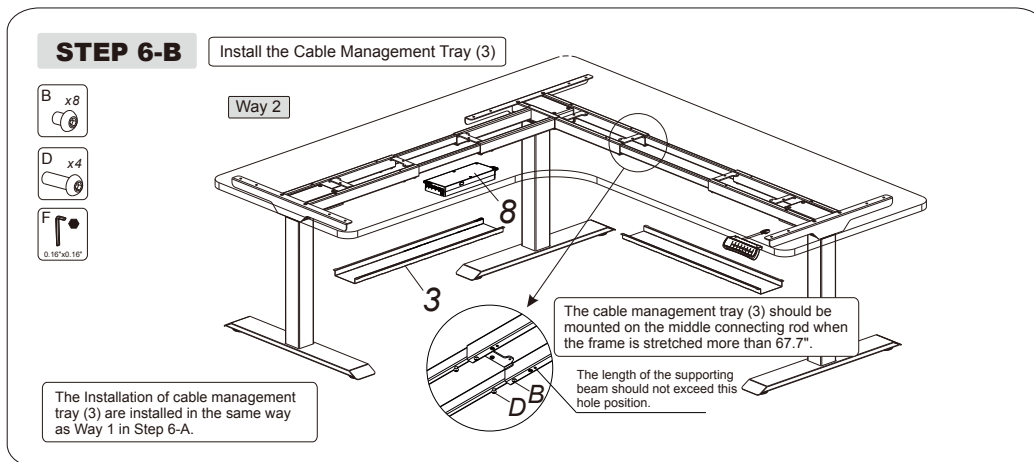
Step 5: Installing the Tabletop, Hand Switch (Display Panel) and Control Box



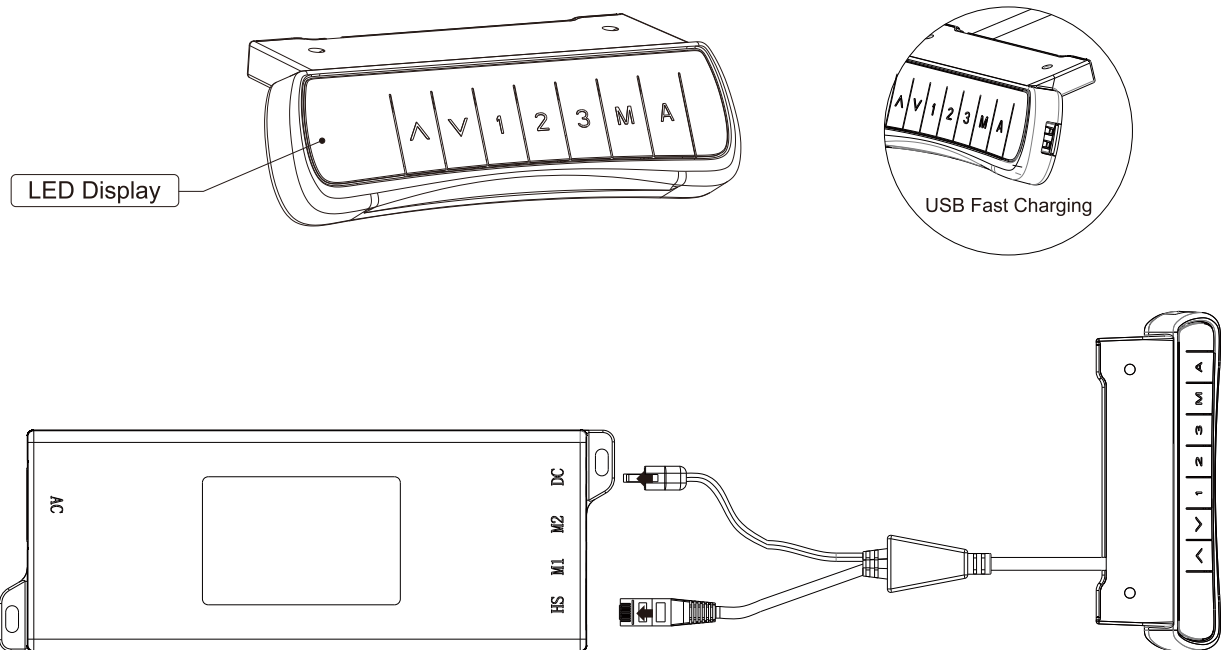
Step 6: Installing the Cable Management Tray – Option A



Step 6: Installing the Cable Management Tray – Option B (for frame extension greater than 67.5")



Display Panel Instructions



The display panel has 7 buttons as noted below:

- (1) "▲" : Adjust the desk upwards
- (2) "▼" : Adjust the desk downwards
- (3) "1" : Position 1, first height position saved by the user
- (4) "2" : Position 2, second height position saved by the user
- (5) "3" : Position 3, third height position saved by the user
- (6) "M" : Height memory function
- (7) "A" : Alert button to remind users changing posture

- **Height Adjustable Function:** Press the UP or DOWN arrow to adjust the height. The LED display will show the current height.
- **Height Memory Function:** Once at the desired height press the "M" to save the height. The screen will display "S-".
 - Press "1", "2", or "3" to save the height to the corresponding position. The screen will display "S-1", "S-2", or "S-3".
 - Press "1", "2", or "3" to automatically adjust to the height saved.
- **USB Charging Function:** USB output: QC2.0/QC3.0, 5.0v/9.0v/12.0v, +5%, current: 1.5a

- **Reminder Function:** Press button “A” to activate the reminder function. The LED display will show “ON”.
 - After 2 seconds press the UP or DOWN arrow to adjust the reminder time. The default time is 45 minutes, which is shown as “45”. Press any button to save the time setup, or wait 5 seconds and the system will save the time setup automatically. During the countdown, any operation will lead to a restart of the timer. When the countdown finishes the display screen will show “00” and the buzzer will activate for 10 seconds.
 - Within the 10-second reminder buzzer, press any button to reactivate the time countdown that is set up in previous step. If no operation is done during the 10-second reminder buzzer there will be another reminder after 5 minutes. If there is no operation during the second reminder buzz the reminder will automatically shut off.
 - To deactivate the reminder press and hold the “A” button for 3 seconds. The LED display will show “OFF”.
- **Anti-Collision Sensitivity Adjustment:** Press and hold the UP or DOWN arrow at the same time for 5 seconds to switch the sensitivity.
 - **THE FACTORY DEFAULT IS “A-3”, HIGH SENSITIVITY**
 - The display shows “A-0”, the anti-collision function if OFF, “A-1” low sensitivity, “A-2” medium sensitivity, “A-3” high sensitivity.
 - During height adjustment when the tabletop encounters an object it instantly stops and reverses to avoid damage.
 - Press and hold the UP and DOWN arrow for 5 seconds at the same time. If the display does not show any of the above codes there is no anti-collision function operating.
- **Troubleshooting:**
 - Reset: When the LED shows “RST” press the DOWN arrow button until the desk reaches its lowest height and rebounds to stop. Reset has been completed.
 - If the LED shows “E01” or “E02” wait 18 minutes and retry the reset function.
 - If the DOWN arrow button reset does not reset the desk, check the cable connection and unplug the power cord for at least 10 seconds. Reconnect the power cord and press the DOWN arrow button to start the reset process when it shows “RST” on the display.
 - If the above processes do not work, please contact customer service at 877-397-5144.

Office Furniture Warranty

2-Year Limited Warranty Program

For a period of two (2) years after purchase, XLS Products, Inc. ("Manufacturer") will either repair or replace defective components in accordance with this Limited Warranty. This warranty is between Manufacturer and the original purchaser and is valid only when accompanied by the original purchaser's sales receipt showing original date of purchase and location of purchase. Replacements under this warranty revert back to the date of original purchase for future warranty.

Manufacturer or its authorized dealer can accept or reject warranty claims based on its findings. This warranty applies in normal office use only and is not intended for industrial or public use. Manufacturer can make substitutions as required of materials, components, and sub-components of comparable value and utility. This warranty is limited to product repair or replacement (to be determined solely by Manufacturer). Warranty replacement is limited to only the single affected component.

This warranty covers only manufacturing defects and does not cover normal wear and tear, abuse or misuse, exposure to extreme heat or cold, abrasion or excessive weight. This product is intended to be used in standard installations only. This warranty is invalid if the product is not used for intended purpose. Manufacturer disclaims liability for any aspect of installation and any inconvenience caused by a defective part of a component.

Certain items are not covered by this warranty. These include, but are not limited to the following:

1. Components subjected to abuse, including abuse intended to simulate failure.
2. Damages caused by retailer, shipper or installation crew (such as scratches, dents, tears, chips, etc.).
3. Any part which merely exhibits normal wear yet functions essentially as new, including chips, scratches or stretching of materials and stitching.
4. Tears, punctures, scratches or any damage caused by improper installation or use.
5. Damage to frames/welds resulting from improper assembly is not covered. General frame rusting is not covered.
6. Fading and/or discoloration of fabrics resulting from exposure to the elements, chemicals, oils, fluids or any other cause are not covered.

To make a claim, call the toll-free number below. Please have available a copy of the original sales receipt along with a brief description of the problem. Please also provide your email address and daytime telephone or cell phone #. All items may be charged actual freight costs plus \$15 for handling. Repairs or replacement will be made at the Manufacturer's option. ***Sales and use taxes, plus shipping and handling charges are the responsibility of the consumer.***

THIS IS THE ENTIRE EXCLUSIVE EXPRESS LIMITED LIABILITY. THE MANUFACTURER NEITHER MAKES NOR IS RESPONSIBLE FOR ANY OTHER WARRANTIES, EITHER EXPRESS OR IMPLIED, INCLUDING THOSE OF RETAILING DEALERS. THIS EXCLUSIVE REMEDY IS LIMITED TO RECEIPT OF A CREDIT IN CONNECTION WITH THE REPAIR OR REPLACEMENT OF ANY PRODUCT OR COMPONENT DEEMED TO BE DEFECTIVE UNDER THE TERMS AND CONDITIONS AS STATED IN THIS WARRANTY. NEITHER XLS PRODUCTS, INC., THE PRODUCT MANUFACTURER NOR ITS AGENTS SHALL BE LIABLE IN ANY CASE FOR INCIDENTAL, INDIRECT, SPECIAL OR CONSEQUENTIAL DAMAGES RESULTING FROM THE USE OF THIS PRODUCT OR ARISING OUT OF ANY BREACH OF THIS WARRANTY OR NEGLIGENCE EVEN IF IT HAS BEEN ADVISED OF THE POSSIBILITY OF SUCH DAMAGES. EXCEPT AS OTHERWISE MAY BE REQUIRED BY LAW, THERE ARE NO OTHER EXPRESS OR IMPLIED WARRANTIES OTHER THAN THE WARRANTY DESCRIBED HEREIN, AND ALL OTHER WARRANTIES, INCLUDING ANY IMPLIED WARRANTY OF MERCHANTABILITY OR FITNESS FOR A PARTICULAR PURPOSE ARE EXPRESSLY DISCLAIMED.

**Contact Warranty Services at: ContactUs@Hanover-Products.com
1-877-397-5144**