

Item #: HGFB02-BLK/HGFB02-BLU/HGFB02-GRY/  
HGFB02-RED /HGFB02-WHT

**TOOLS  
Required**

- Phillips Head Screwdriver (Standard Size) – Not Included
- Allen Wrench - Included

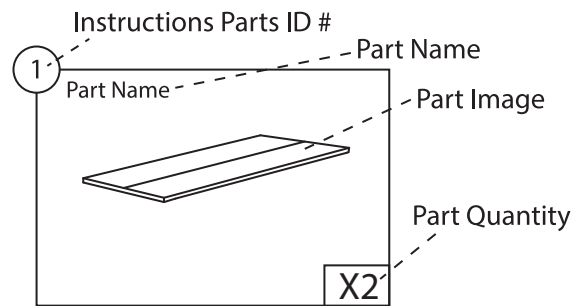
**Recommended (Not Required):**

- Electric Screwdriver or Power Driver  
**CAUTION: DO NOT OVERTIGHTEN.** If using an Electric Screwdriver or Power Driver, please make sure that the tool is set to a very low torque to prevent damage to the product.
- Socket Wrench Set

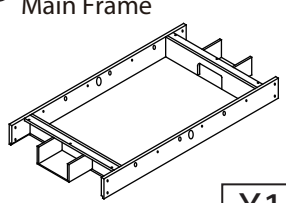
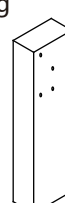
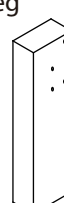
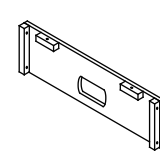
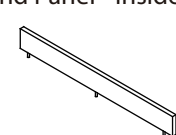
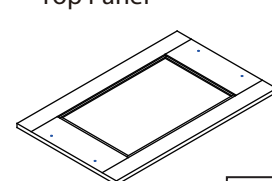
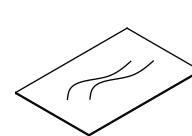
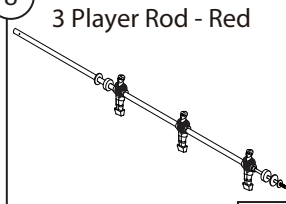
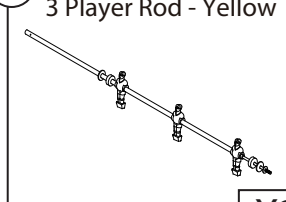
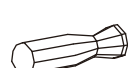
**How to use the PARTS IDENTIFIER**

Before you begin assembly, please make sure that you have all the parts listed and in the correct quantities. This will ensure the quickest and most organized assembly.

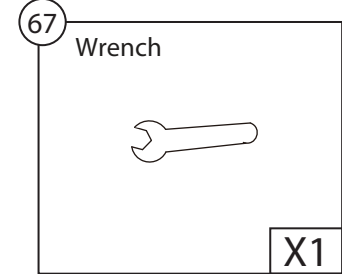
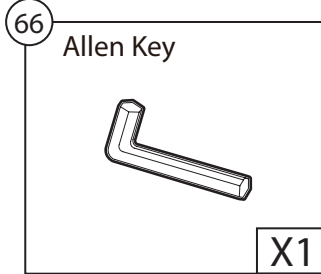
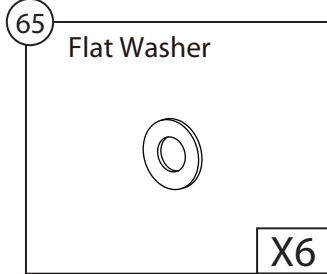
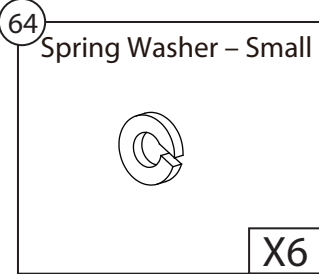
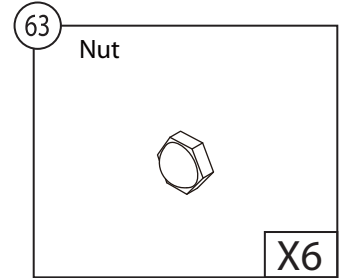
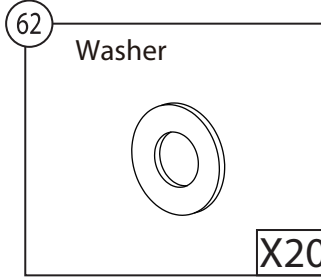
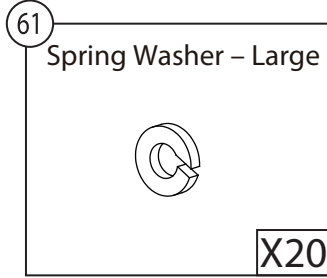
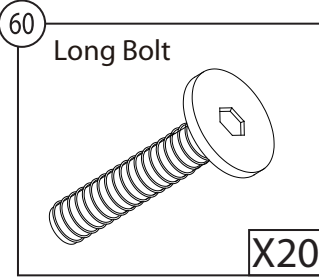
Be sure to work on the assembly on a soft non-marring surface such as carpet or the inside of the corrugate box top to prevent causing damage to the table surface during assembly. If using the box top, remove all staples from the box first.



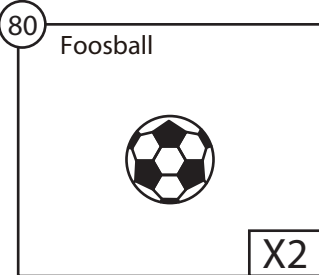
**PARTS IDENTIFIER**

<p>1 Main Frame</p>  <p>X1</p>	<p>2 Left Leg</p>  <p>X2</p>	<p>3 Right Leg</p>  <p>X2</p>	<p>4 End Apron</p>  <p>X2</p>
<p>5 End Panel - Inside</p>  <p>X2</p>	<p>6 Top Panel</p>  <p>X1</p>	<p>7 Glass Top</p>  <p>X1</p>	<p>8 3 Player Rod - Red</p>  <p>X3</p>
<p>9 3 Player Rod - Yellow</p>  <p>X3</p>	<p>10 Handle</p>  <p>X6</p>		

## HARDWARE

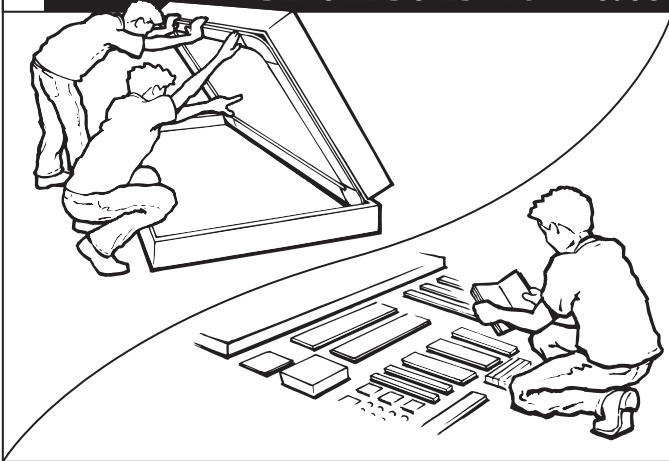


## ACCESSORIES



## START

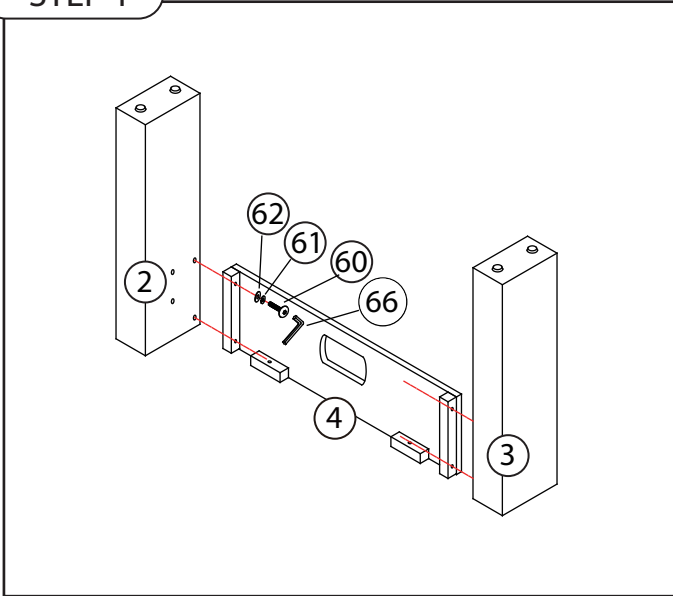
### BEFORE BUILDING - Please inspect and layout all your PARTS



All parts are listed in the Parts Identifier and Accessories. Your Cabinet (Table Game Playfield) is **NOT REPLACEABLE**. Any damage that exists to your Cabinet is not repairable. If your Cabinet is damaged, the entire game must be returned to the original place of purchase for an exchange.

Please review the Parts Identifier and make sure that you have all parts before beginning assembly.

### STEP 1



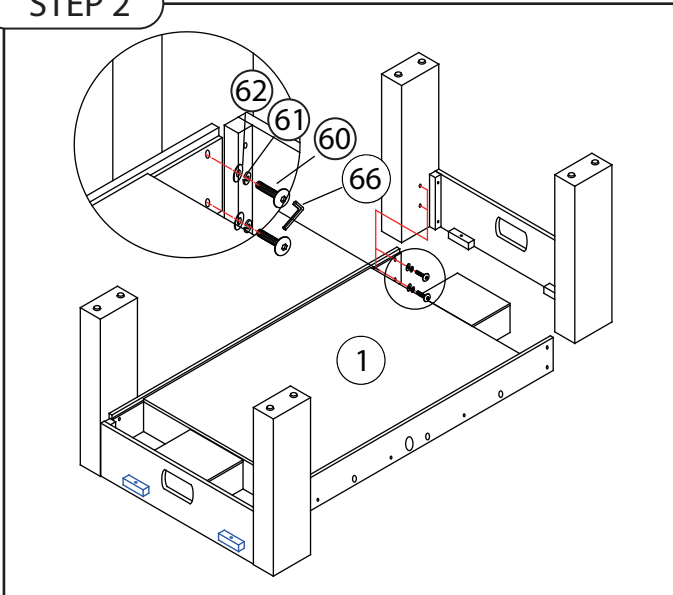
COMPONENTS	QTY.
② Left Leg	x2
③ Right Leg	x2
④ End Apron	x2
HARDWARE	
⑥① Long Bolt	x8
⑥① Spring Washer - Large	x8
⑥② Washer	x8
⑥⑥ Allen Key	x1

#### NOTE:

Repeat for all legs.

**DO NOT** overtighten Bolts.

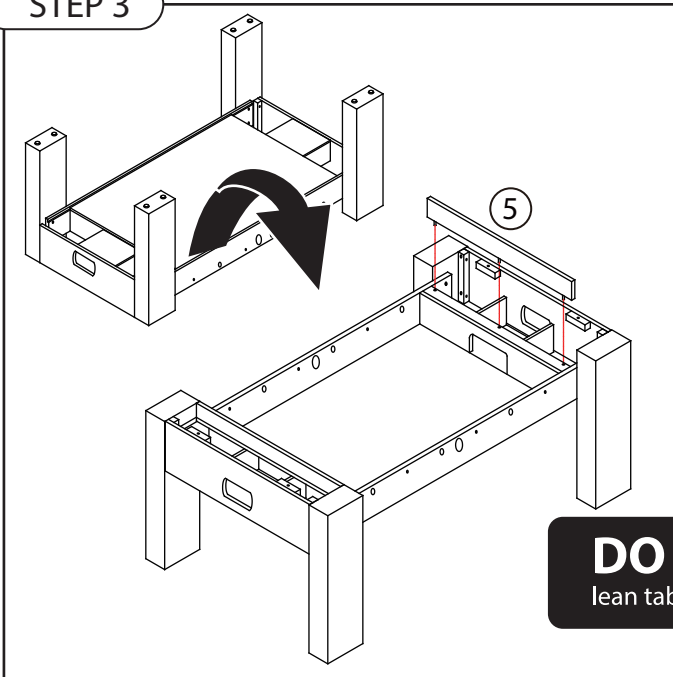
### STEP 2



COMPONENTS	QTY.
① Main Frame	x1
HARDWARE	
⑥① Long Bolt	x8
⑥① Spring Washer - Large	x8
⑥② Washer	x8
⑥⑥ Allen Key	x1

#### NOTE:

### STEP 3



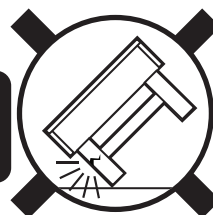
COMPONENTS	QTY.
⑤ End Panel - Inside	x2
HARDWARE	

#### NOTE:

Using at least 2 STRONG ADULTS, pick up & flip the Table over. Then rest the Table on all 2 Legs.

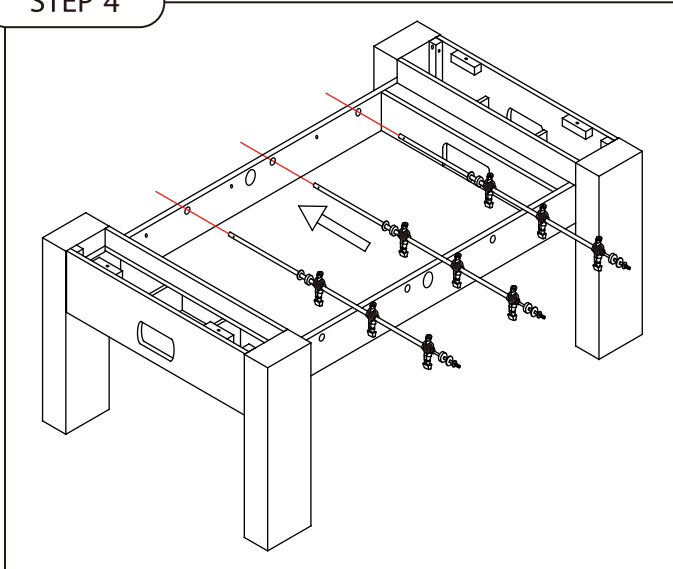
Repeat for both ends.

**DO NOT** overtighten screws.



**DO NOT**  
lean table on Legs!

**STEP 4**



**COMPONENTS**

- | COMPONENTS              | QTY. |
|-------------------------|------|
| 8 3 Player Rod - Red    | x3   |
| 9 3 Player Rod - Yellow | x3   |

**HARDWARE**

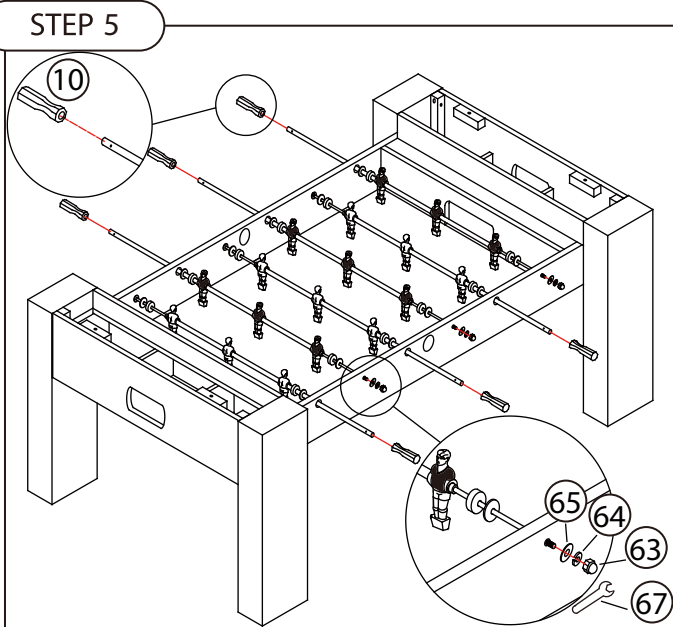
**QTY.**

**NOTE:**

Players of the same team color should be on the same side, and each team's players should be facing their opponent.

Hole in the end of Rod is where the hand grip goes.

**STEP 5**



**COMPONENTS**

- | COMPONENTS | QTY. |
|------------|------|
| 10 Handle  | x6   |

**HARDWARE**

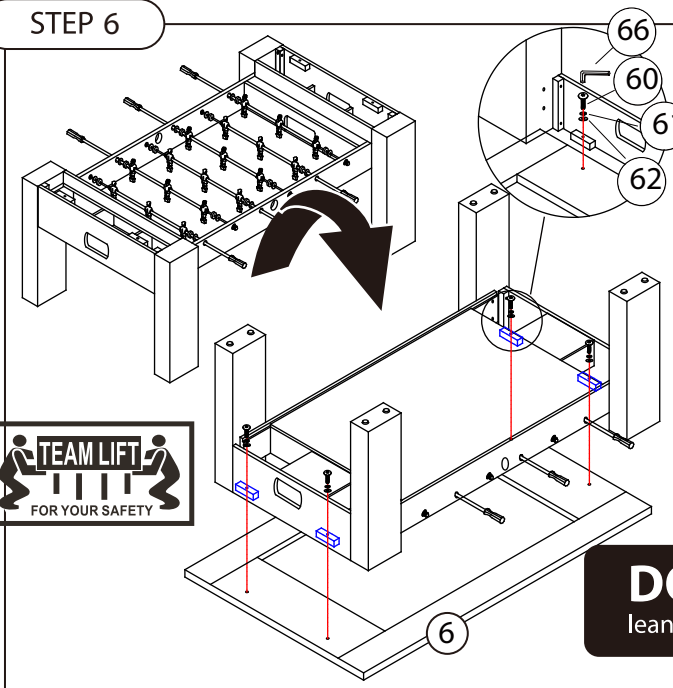
**QTY.**

- |                          |    |
|--------------------------|----|
| 63 Nut                   | x6 |
| 64 Spring Washer - Small | x6 |
| 65 Flat Washer           | x6 |
| 67 Wrench                | x1 |

**NOTE:**

Repeat for both ends.

**STEP 6**



**COMPONENTS**

- | COMPONENTS  | QTY. |
|-------------|------|
| 6 Top Panel | x1   |

**HARDWARE**

**QTY.**

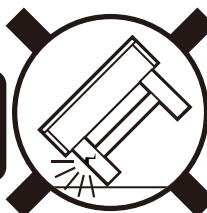
- |                          |    |
|--------------------------|----|
| 60 Long Bolt             | x4 |
| 61 Spring Washer - Large | x4 |
| 62 Washer                | x4 |
| 66 Allen Key             | x1 |

**NOTE:**

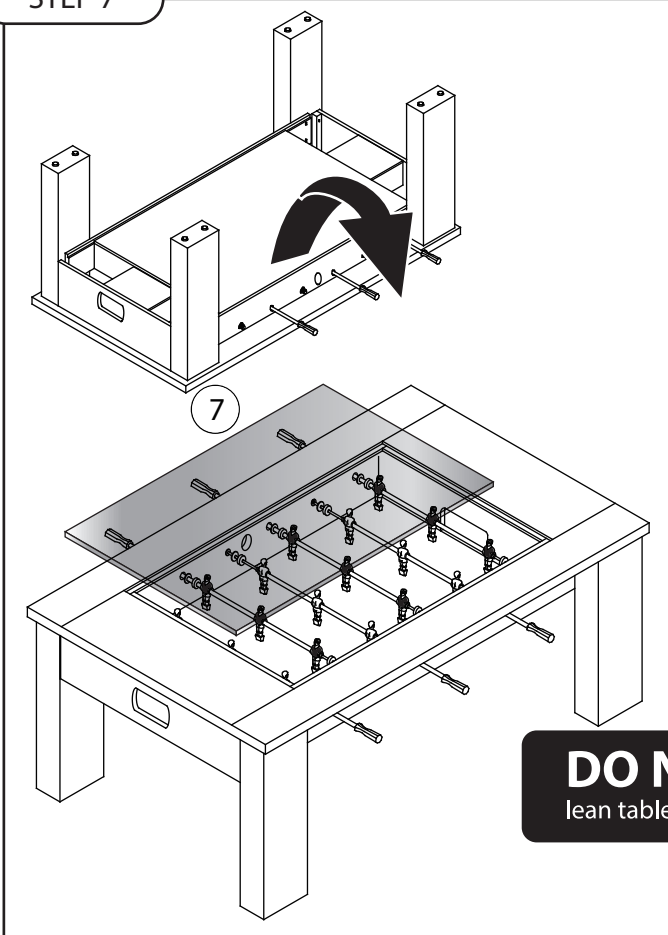
When turn over, please be careful with End Panel - Inside.

**DO NOT overtighten Bolts.**

**DO NOT**  
lean table on Legs!



STEP 7



COMPONENTS QTY.

7 Glass Top x1

HARDWARE QTY.

NOTE:

Handle the glass with care.

**Do not apply pressure to the glass.**



**DO NOT**  
lean table on Legs!

