

HANOVER®

HDR009

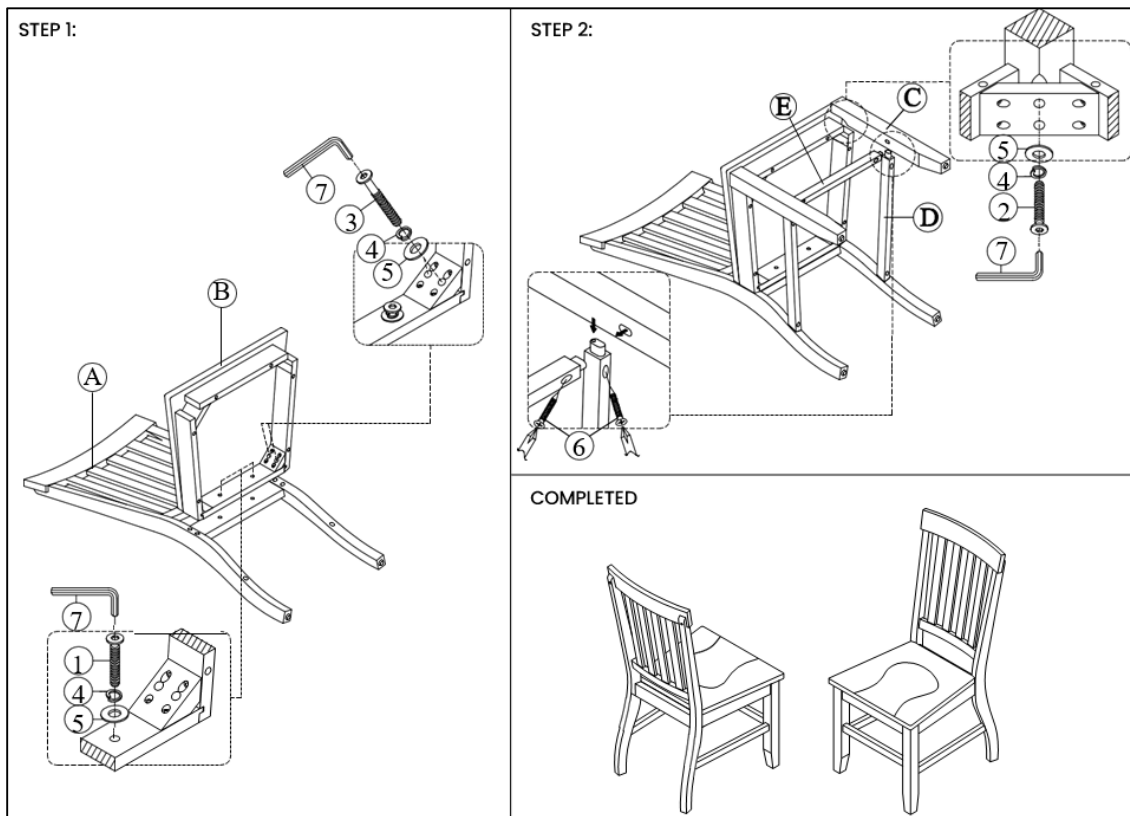
Willow Dining Chair

Caution: Please read instructions thoroughly before unpacking assembly parts. Sharp, exposed staple tips can cause injury, therefore, for your protection, please remove any exposed staples used in packing.

- 1) We recommend that you should assemble this product with the assistance of another person; this will make assembly easier, and will help to eliminate damage to the product or injury to persons during assembly.
- 2) Be sure to check all packing materials carefully for small parts that may have come loose inside the carton during shipment.
- 3) Please do not over tighten screws or bolts.
- 4) Please put all parts on a non-abrasive floor before assembly, and follow the assembly steps to assemble your newly purchased product correctly and efficiently.

PART LIST			
NO	PART DESC.	CODE	QTY
A	DINING SIDE CHAIR	PDKY300SCBFR	1
B	DINING SIDE CHAIR FRAME	PDKY300SCSEA	1
C	DINING SIDE CHAIR L/R FRONT LEG	PDKY300SCLEG	2
D	DINING SIDE CHAIR L/R SIDE STRETCHER	PDKY300SCSTR2	2
E	DINING SIDE CHAIR FRONT STRETCHER	PDKY300SCSTR1	1

HARDWARE LIST – PACKED INSIDE BOX			
NO	HARDWARE DESC.	CODE	QTY
1	ALLEN BOLT (1/4" x 40mm)	PDKY300SCHW	2
2	ALLEN BOLT (1/4" x 60mm)		4
3	ALLEN BOLT (1/4" x 75mm)		4
4	SPRING WASHER (1/4")		10
5	FLAT WASHER (1/4")		10
6	SCREWS/ VIS (M4x38MM)		4
7	ALLEN KEY (M4)		1



HANOVER®

HDR009

Willow Dining Table

Caution: Please read instructions thoroughly before unpacking assembly parts. Sharp, exposed staple tips can cause injury, therefore, for your protection, please remove any exposed staples used in packing.

- 1) We recommend that you should assemble this product with the assistance of another person; this will make assembly easier, and will help to eliminate damage to the product or injury to persons during assembly.
- 2) Be sure to check all packing materials carefully for small parts that may have come loose inside the carton during shipment.
- 3) Please do not over tighten screws or bolts.
- 4) Please put all parts on a non-abrasive floor before assembly, and follow the assembly steps to assemble your newly purchased product correctly and efficiently.

PART LIST			
NO	PART DESC.	CODE	QTY
A	DINING TABLE TOP		1
B	DINING TABLE LEGS SET (4PCS/1SET)	PDKY300DTLEG	4

HARDWARE LIST – PACKED INSIDE BOX			
NO	HARDWARE DESC.	CODE	QTY
1	NUT (5/16")	PDKY300DTHW	8
2	SPRING WASHER (5/16")		8
3	FLAT WASHER (5/16")		8
4	WRENCH (5/16")		1

