

ASSEMBLY INSTRUCTIONS

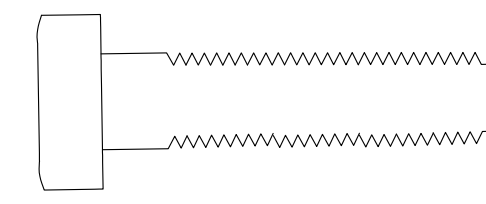
Kit Contents :-

A. Allen Bolt - 4 Pcs

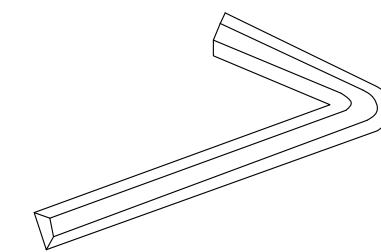
B. Allen Key - 1 Pc

C. Washer - 6 Pcs

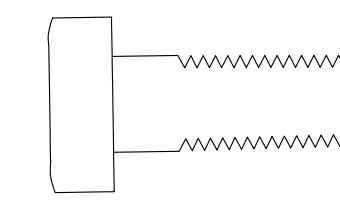
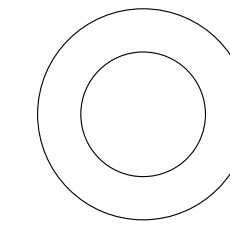
D. Allen Bolt - 2 Pcs



50mm

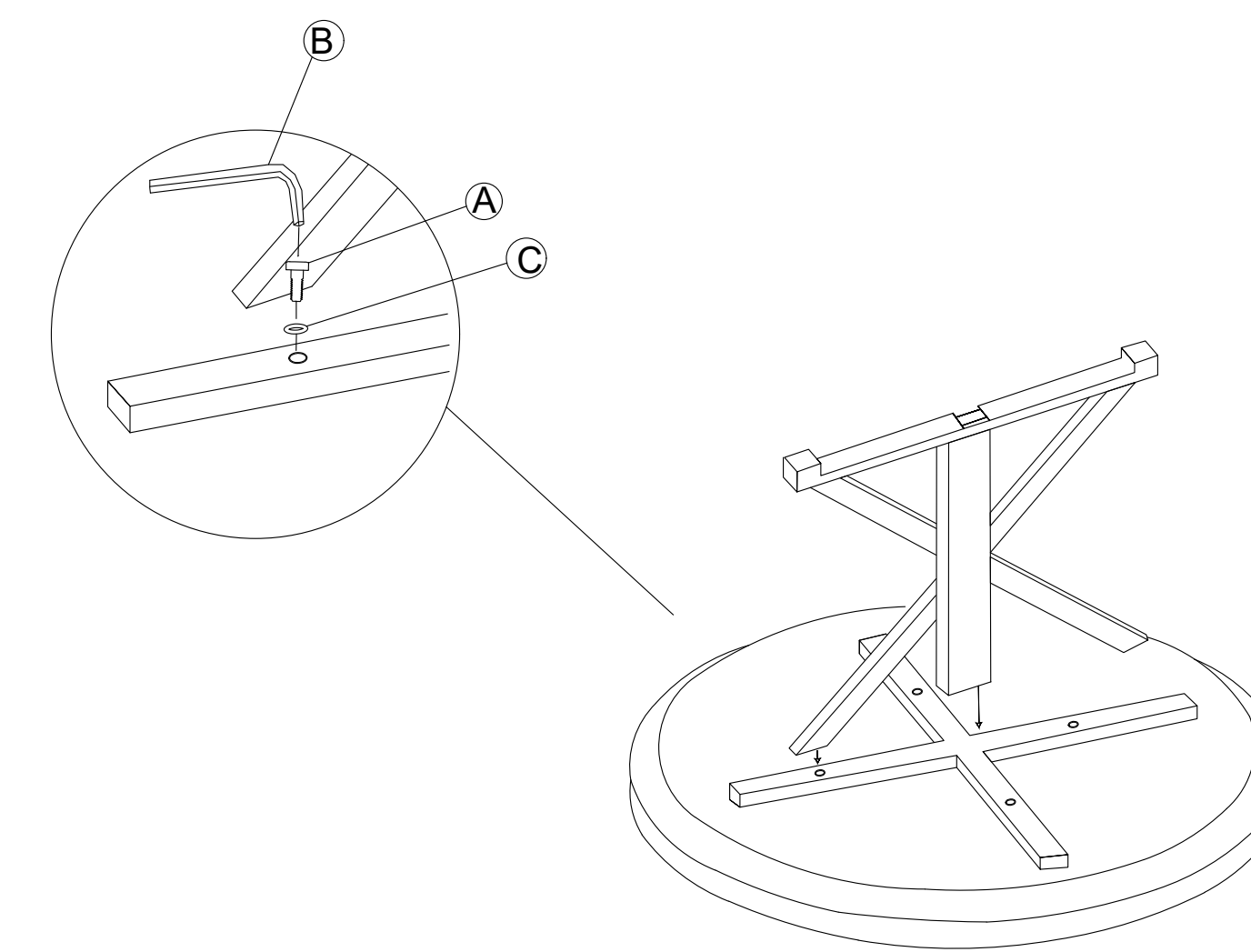
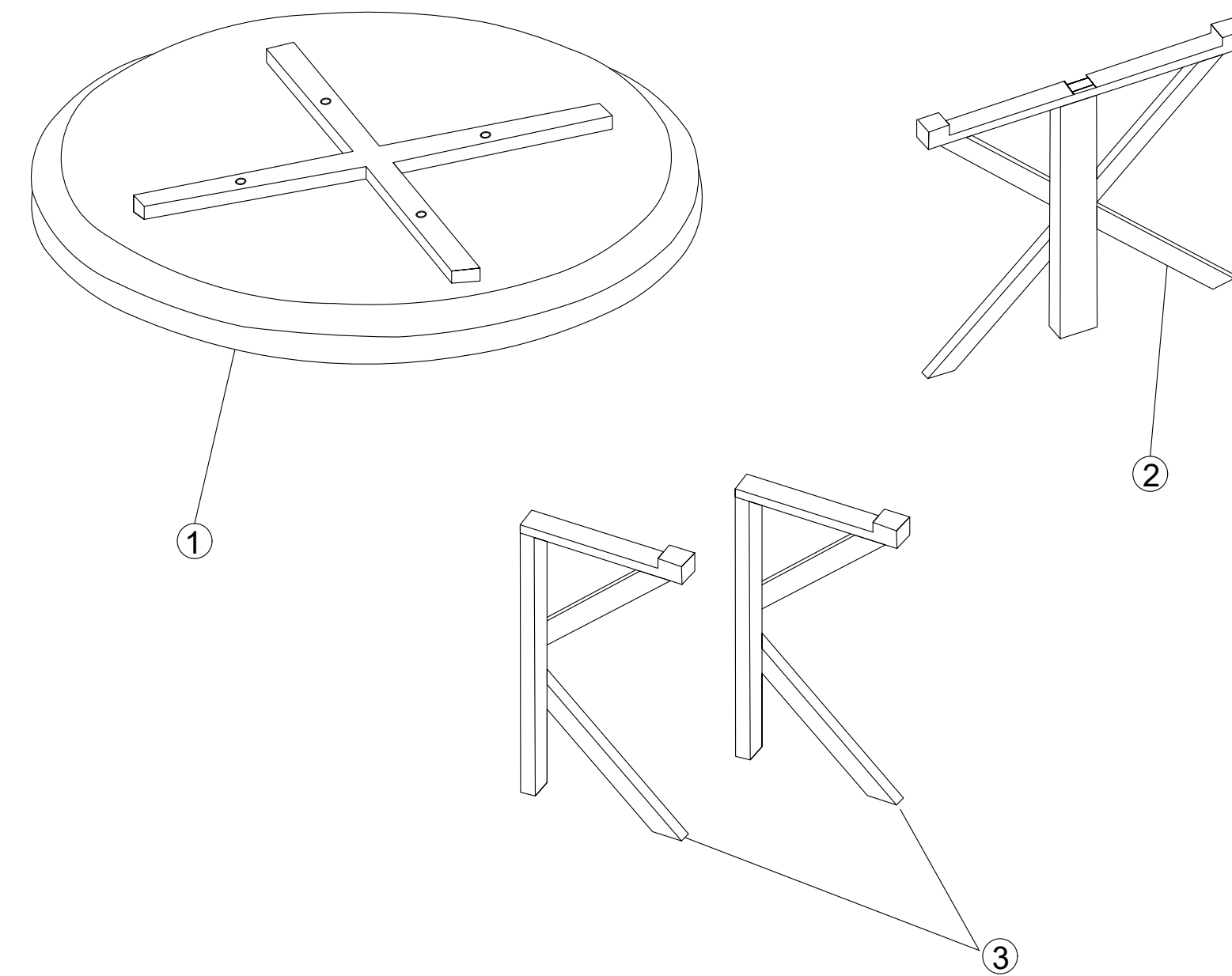


5mm

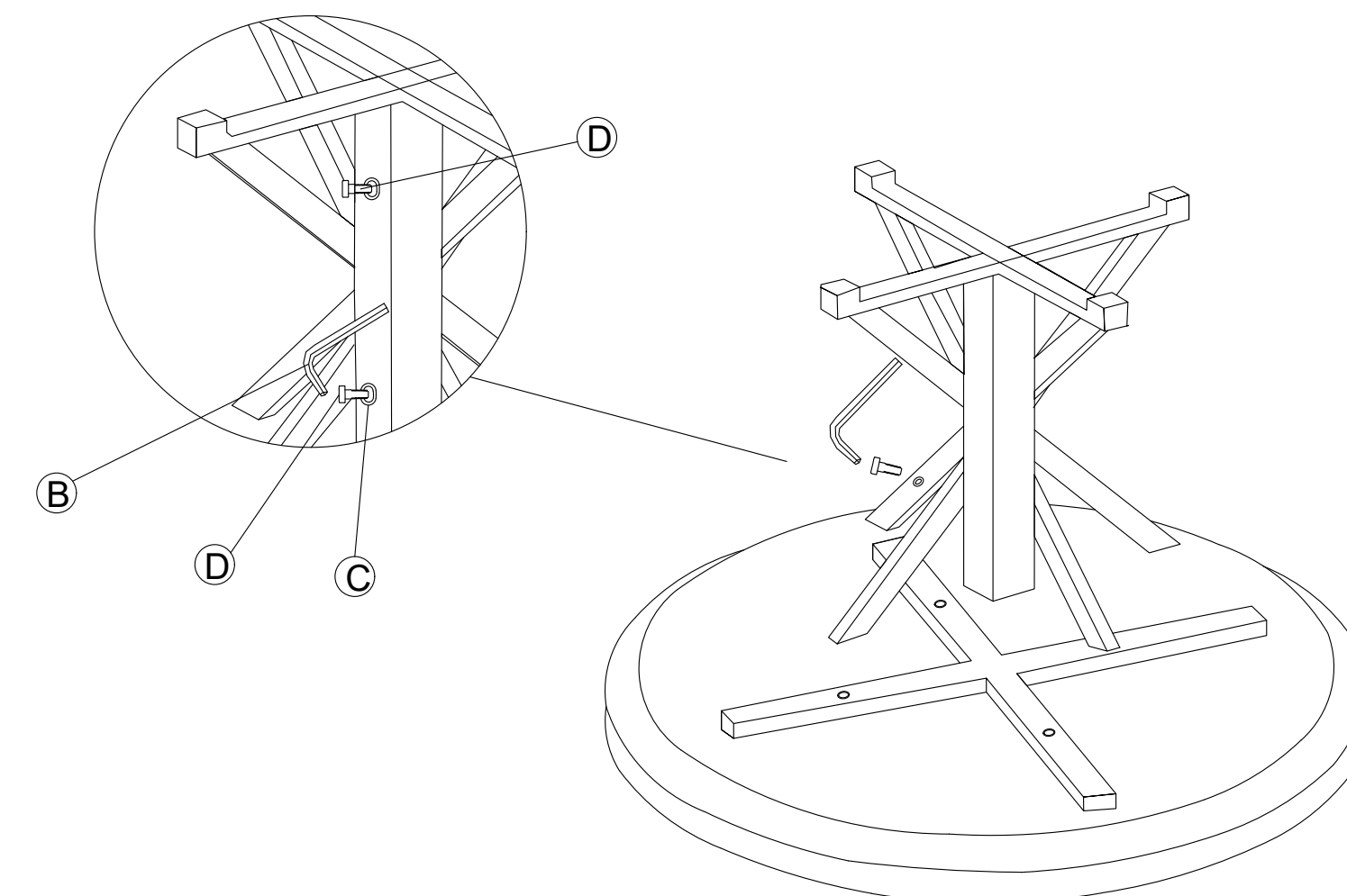


38mm

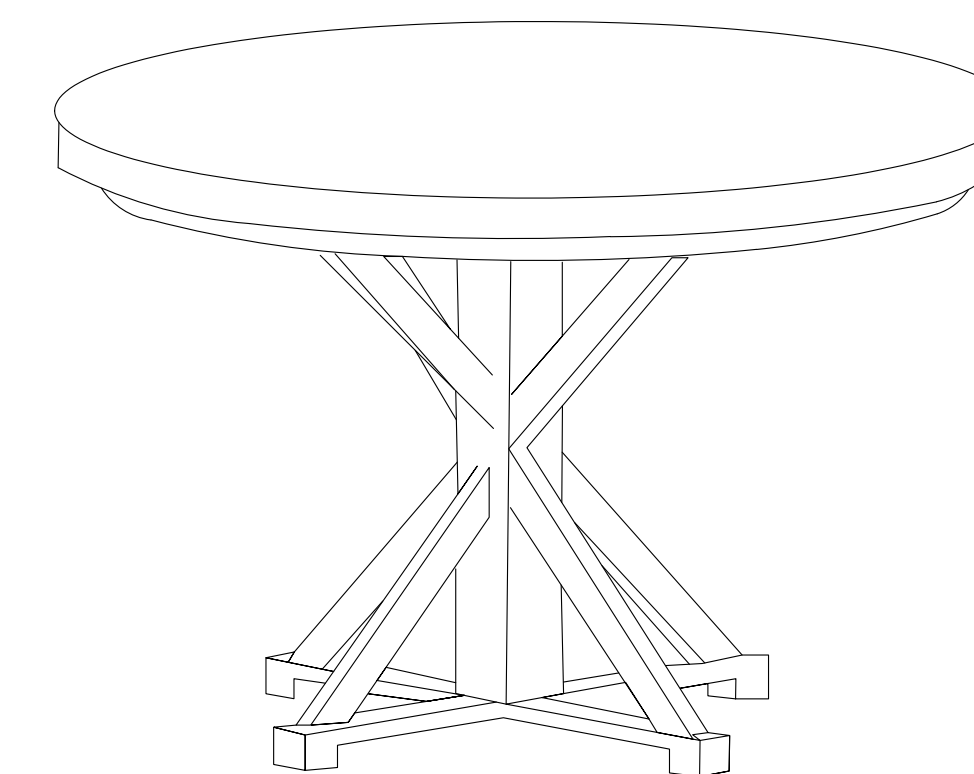
Ref	Description	Qty.
1.	Dining Top	1
2.	Center Leg Frame	1
3.	Side Leg Frame	2



NOTE: Place the top on a clean, dry surface to prevent any damage.



NOTE: Two or more adults are required for the assembly.



Your dining table is now ready to use .