

# ASSEMBLY INSTRUCTIONS

## Kit Contents :-

(A) Allen Bolt - 7 Pcs

(B) Flat Washer - 7 Pcs

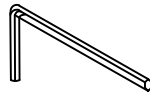
(C) Allen key - 1 Pcs



8x50MM

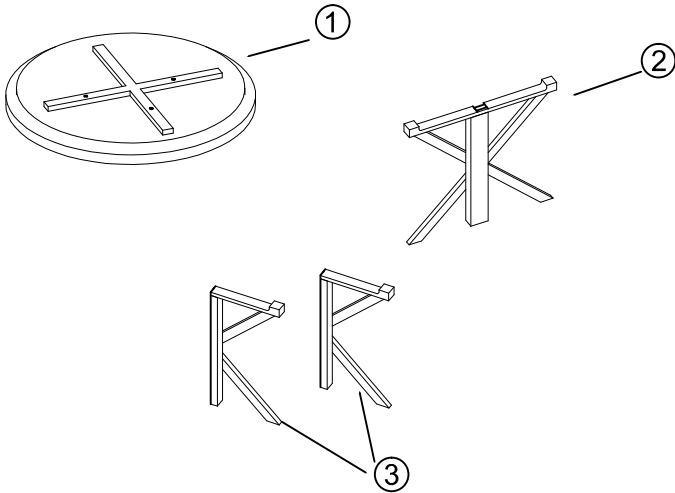


8x30MM

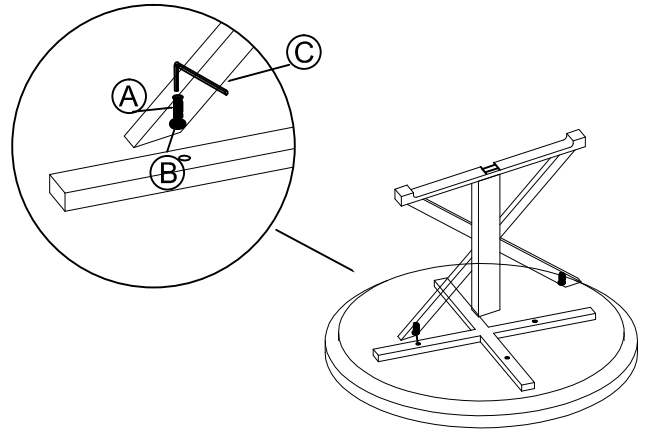


Ref	Description	Qty
①	Dining TOP	1
②	Center Leg Frame	1
③	Side Leg Frame	2

1.

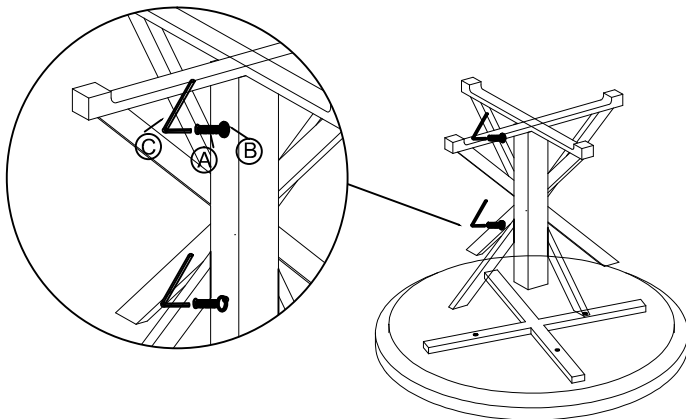


2.



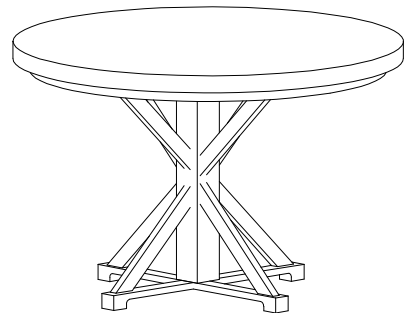
**NOTE :** Place top on a clean, dry surface to prevent damage to top.

3.



**NOTE :** Two or more strong adults will be required to pick up, turn over, and rest your item on all legs.

4.



Your dining table is now ready to use