

ASSEMBLY INSTRUCTIONS

Kit Contents :-

(A) Allen Bolt - 7 Pcs

(B) Flat washer - 7 Pcs

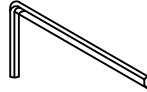
(C) Allen key - 1 Pcs



8x50MM

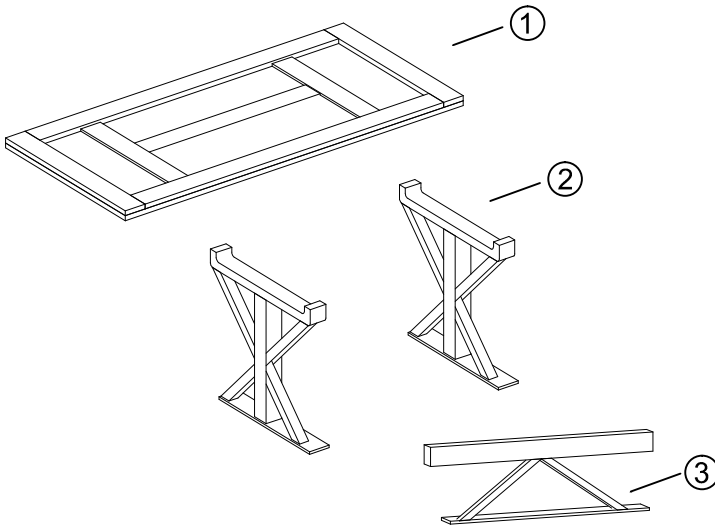


2x18 MM

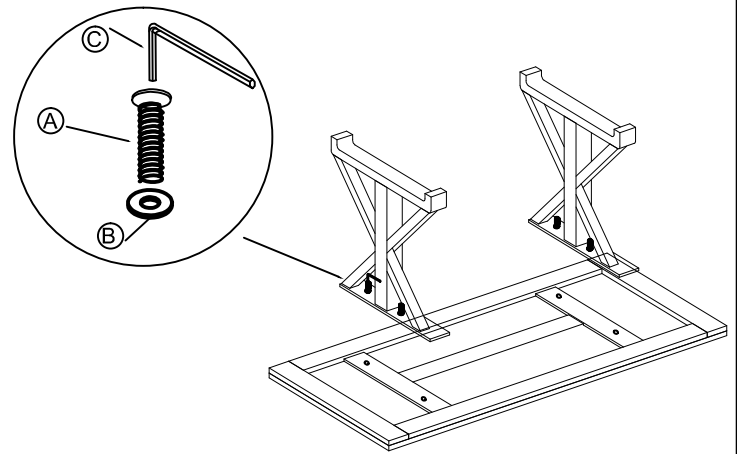


Ref	Description	Qty
①	Dining top	1
②	Leg	2
③	Stretcher	1

1.

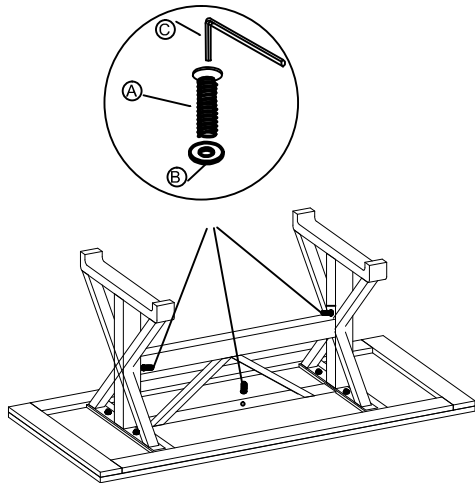


2.



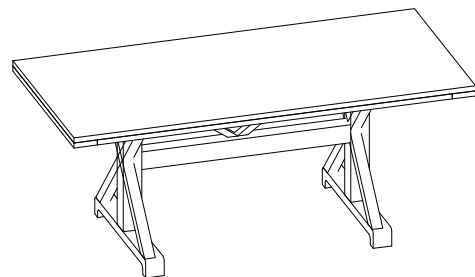
NOTE : Place top on a clean, dry surface to prevent damage to top.

3.



NOTE : Two or more strong adults will be required to pick up, turn over, and rest your item on all legs.

4.



Your dining table is now ready to use