



Assembly & Care Guide for Stainless Steel Sink

The model number of your sink is printed on the side of your carton.

Always use this number to identify your sink.

Thank you for your purchase of this quality stainless steel sink. With proper use and care, your sink will provide you with years of use. Please follow the instructions on how to install your sink. If you should have any problems with your sink

DO NOT return it to the place of purchase.

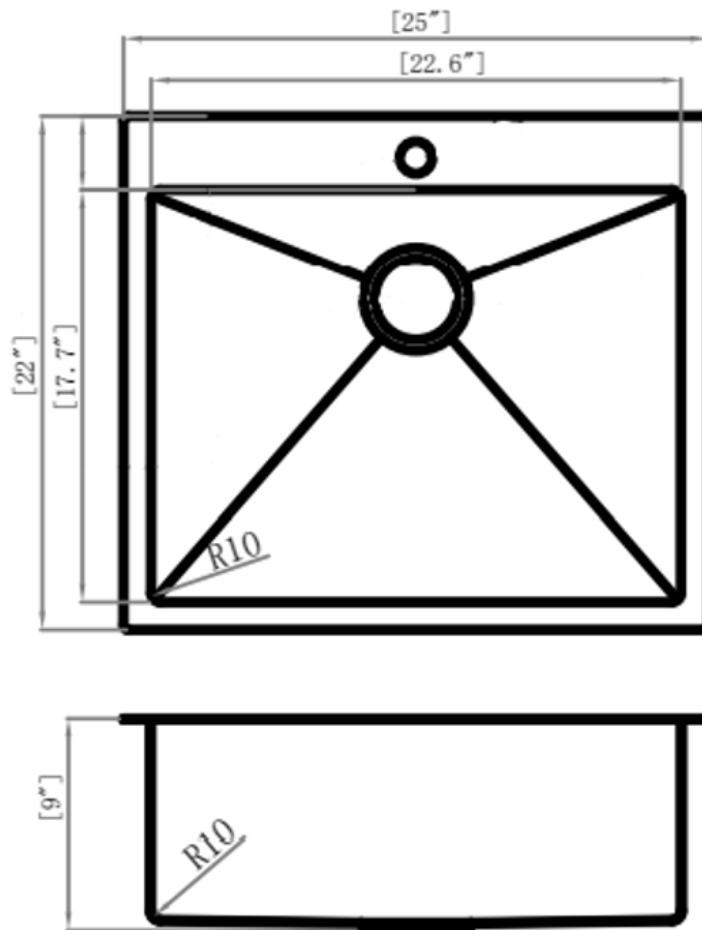
Please call our toll free number: **1-877-397-5144** or email us at **contactus@hanover-products.com** and a customer service representative will assist you.

Stainless Steel Sink Installation Guide






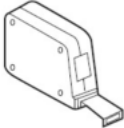
Please note:

- Plumbing fixtures, faucet parts, and some hardware are not included. We recommend consulting with a licensed plumber prior to installation. All required plumbing parts shown in the diagrams can be purchased at most hardware stores. Your items may appear slightly different from illustrations.
- Protect all surfaces from sharp objects, high heat sources, direct prolonged sunlight, and chemical hazards.

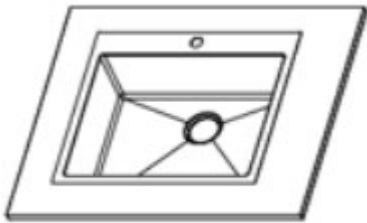
Dimensions:



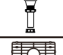



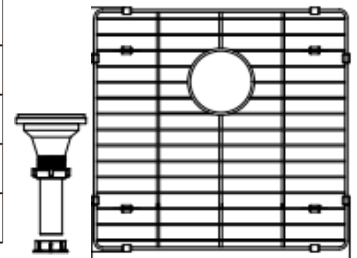
Required Tools – NOT INCLUDED:

					
Jigsaw or Keyhole Saw	Pencil	Screwdriver (Phillips Head)	Silicone Caulk / Glass Glue	Eye Protection	Tape Measure

Parts Included:



NO	Description	Picture	Qty
A	Kitchen Sink		1
B	Accessories Box		1
C	Cut-out Template		1
D	Drainer		1
E	Grid		1



NOTE: Accessories box includes mounting clips, screws, anchors.

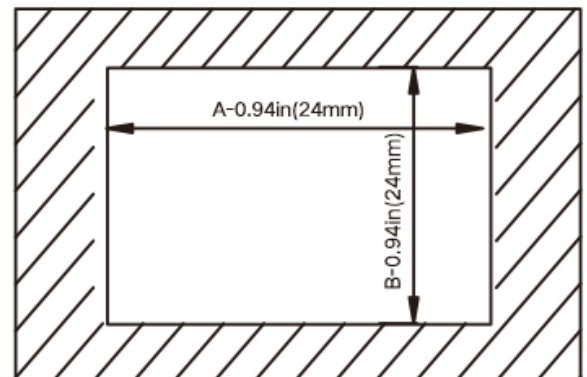
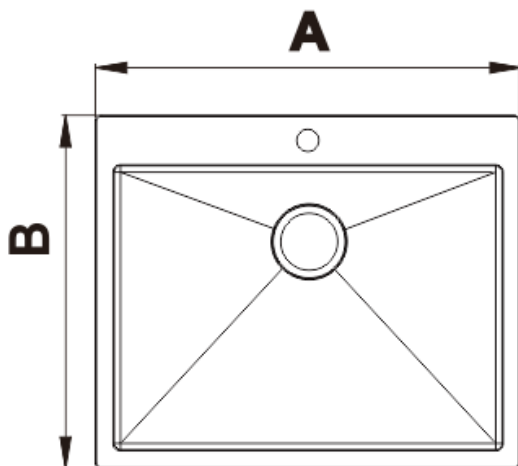
Top Mount Installation Instructions:

1. Safely remove the packaging from your sink and place it on a flat and even surface.
2. Measure the product size and calculate the hole size.

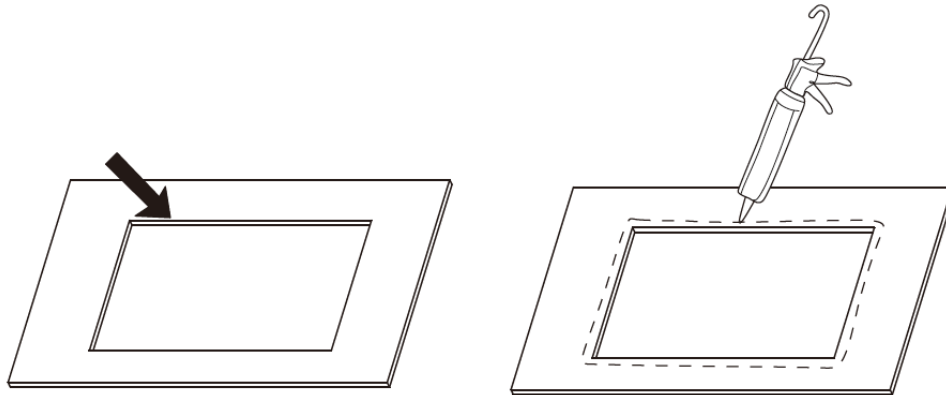
NOTE: Make sure there is proper clearance for faucet and plumbing for the sink.

3. Draw the cutting line and cut the install hole, you can also use the template included for instruction to cut the hole.

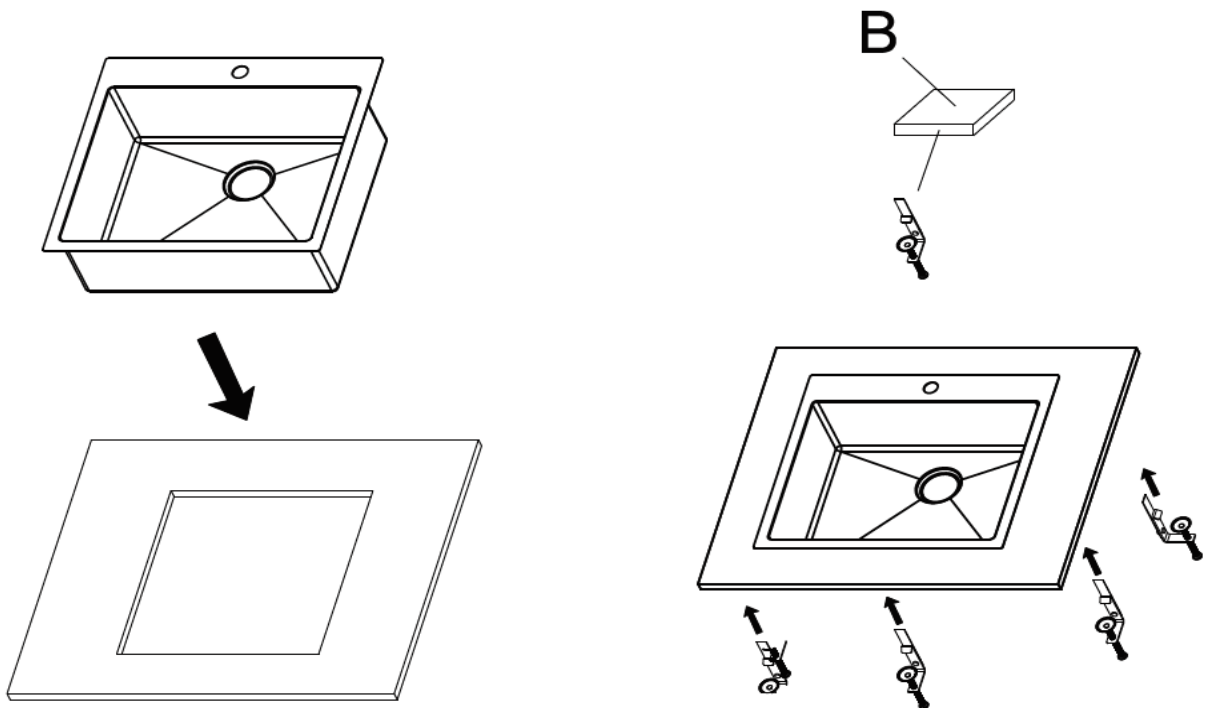
NOTE: Please choose the saw type that works best with the material of your countertop.



4. Fill in adhesive (glass cement or gelatin sponge) 0.2-0.3in (5-7mm) outside the incision, with a width of 0.11-0.3in (3-7mm)

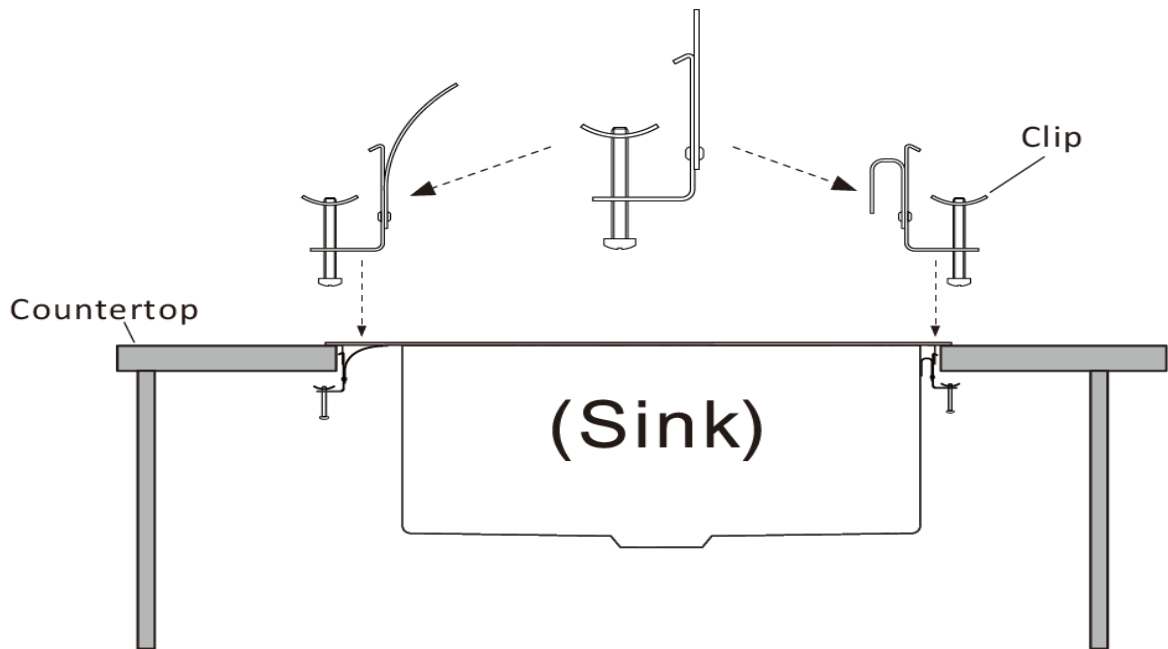


5. Position the sink to match up with the countertop hole and carefully place the sink in the opening. Press firmly on all sides.
6. Partially thread a screw into each mounting clip.
7. Attach the mounting clips to the underside of the sink rim. Ensure that the clips are facing away from the sink and are evenly distributed.



8. Tighten each screw until the sink is drawn down to the countertop.

NOTE: Do not fully tighten one clip at a time. After each clip is partially tightened, repeat the process, fully tightening each clip. This ensures a secure installation and avoids damage to the sink.



9. Once the sink is securely in place, use silicone caulk to seal any gaps where the sink meets the countertop.

NOTE: Use acetone or rubbing alcohol to remove any excess caulk / glue.

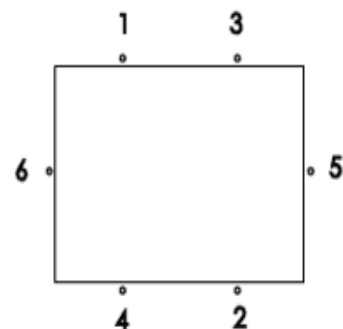
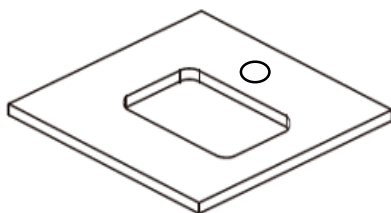
10. Connect plumbing fixtures and faucet attachments (not included) per manufacturer guidelines.
11. Run water through sink to check for leaks.
12. Place the grid in the sink with drain hole in alignment, put other accessories in proper position if necessary.

NOTE: It is strongly recommended to hire a licensed plumber to install the drain and water connections.

Optional Under Mount Installation Instructions:

Not recommend but If you like, follow below steps or hire a licensed plumber.

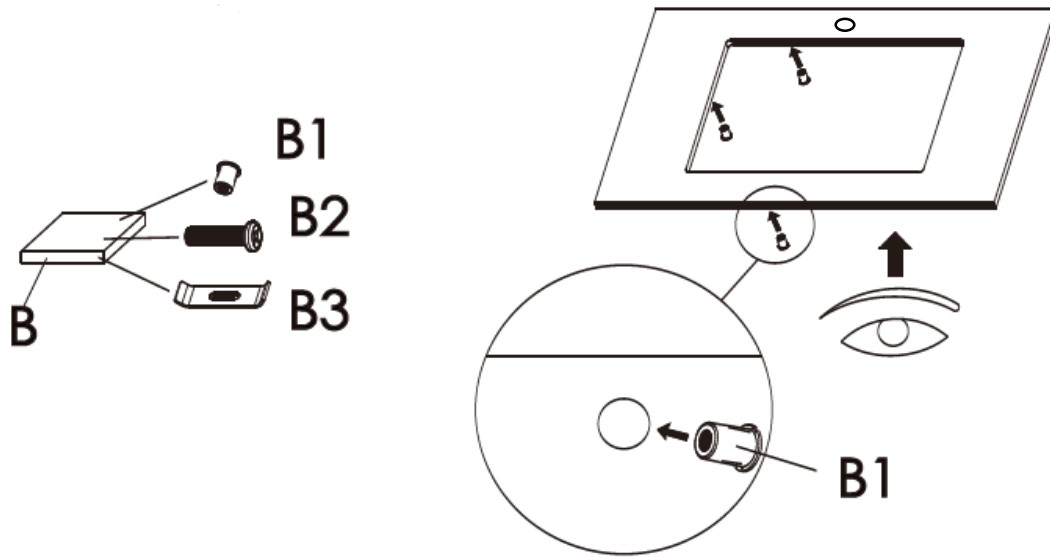
1. Cut the opening on the countertop according to the template, be sure to cut the faucet hole with precise distance and size according to the sink itself.
2. Position the sink in alignment of the opening from the underside of countertop, then drill holes 0.5" away from the sink edge for anchors.



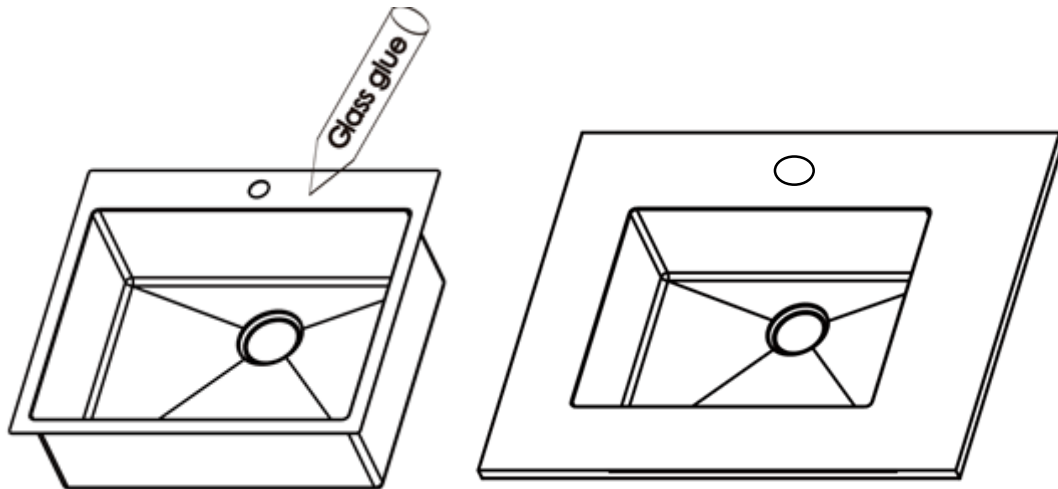
Hole Size: Φ 0.39-inch with 9/16-inch depth

Place holes 0.5 inch from edge of sink

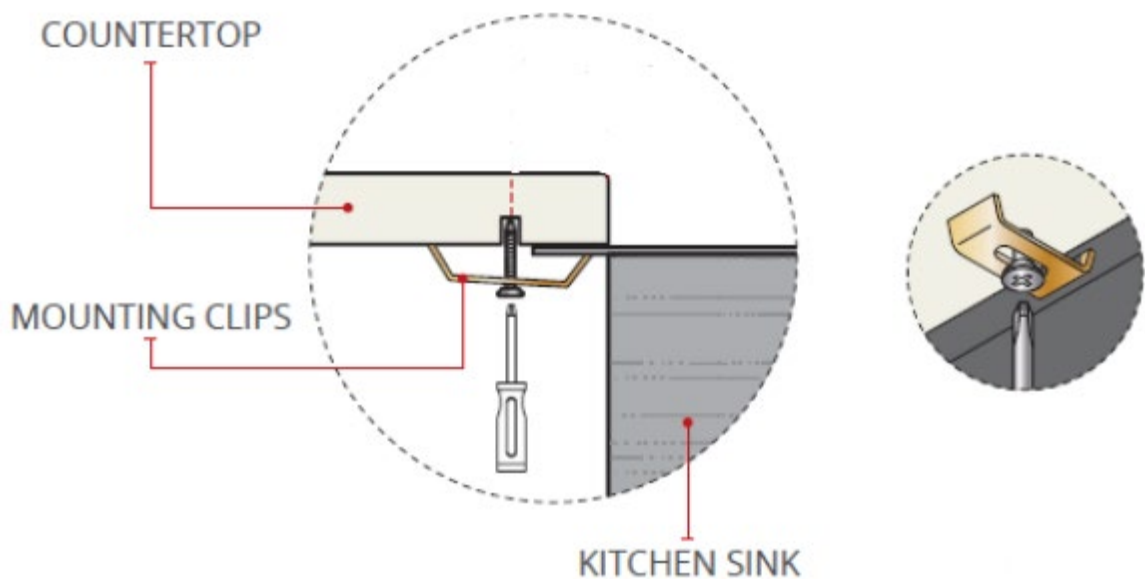
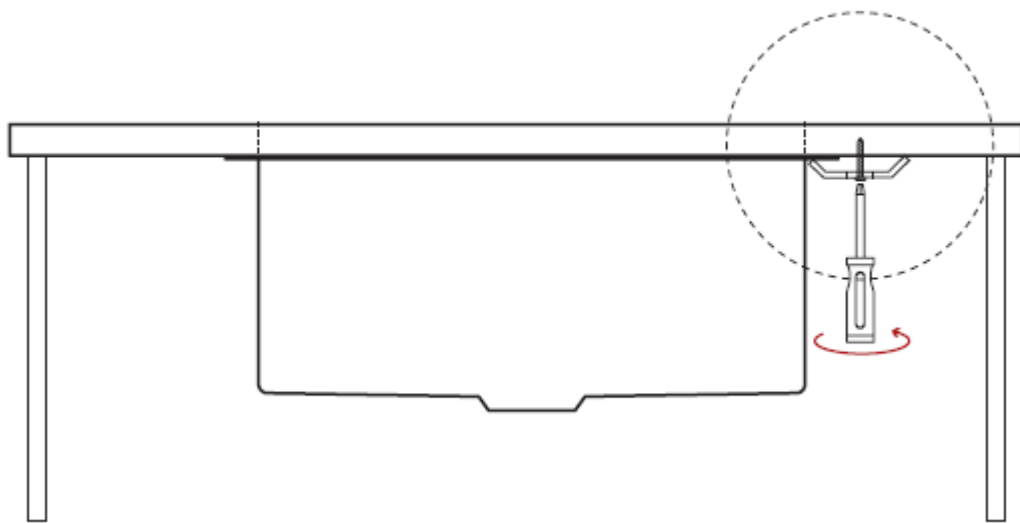
3. Install anchors into holes and tap with hammer until flush.



4. Use silicone caulk / glass glue to line the rim of the sink. Check to ensure the sink aligns properly with the cutout in the countertop.
5. Position the sink to match up with the countertop hole. Press firmly.



6. Securely screw the kitchen sink into the countertop. Fasten screw into pre drilled hole, tightening the clip against the counter and sink.



Care and Maintenance:

1. Clean regularly with provided cleaner or normal gentle detergent and warm water.
2. Dry your sink after use with a soft or microfiber cloth – this will reduce mineral buildup.
3. Clean the sink once a week with a non-abrasive cleaner and a soft sponge.

NOTE: When scrubbing the sink, always work in the same direction as the grain of the steel.

4. Use a correctly sized grid at the base of your sink to reduce the possibility of scratches.

NOTE: Most minor scratches from daily use are superficial and can be removed with correct care and product use.

5. DO NOT use bleach or solutions containing bleach on or in the sink. Bleach is harmful to

stainless steel and can cause surface pitting.

6. DO NOT use steel wool or very abrasive cleaners / sponges to clean your sink.
7. DO NOT let soap or cleaners dry on the surface of the sink.

1-Year Limited Warranty Program

For a period of one (1) year after purchase, Hanover Products ("Manufacturer") will either repair or replace defective components in accordance with this Limited Warranty. This warranty is between Manufacturer and the original purchaser and is valid only when accompanied by the original purchaser's sales receipt showing original date of purchase and location of purchase. Replacements under this warranty revert back to the date of original purchase for future warranty.

Manufacturer or its authorized dealer can accept or reject warranty claims based on its findings. This warranty applies in normal residential use only and is not intended for commercial use. Manufacturer can make substitutions as required of materials, components, and sub-components of comparable value and utility. This warranty is limited to product repair or replacement (to be determined solely by Manufacturer). Warranty return is limited to only the single affected component.

This warranty covers only manufacturing defects and does not cover normal wear and tear, abuse or misuse, exposure to extreme heat or cold, abrasion or excessive weight. This product is intended to be used in standard installations only. This warranty is invalid if the product is not used for intended purpose. Manufacturer disclaims liability for any aspect of installation and any inconvenience caused by a defective part of a component.

Certain items are not covered by this warranty. These include, but are not limited to the following:

1. Components subjected to abuse, including abuse intended to simulate failure.
2. Damages caused by retailer, shipper or installation crew (such as scratches, dents, tears, chips, etc.).
3. Any part which merely exhibits normal wear yet functions essentially as new, including chips, scratches or stretching of materials and stitching.
4. Tears, punctures, scratches or any damage caused by improper installation or use.
5. Damage to frames/welds resulting from improper assembly is not covered. General frame rusting is not covered.
6. Fading and/or discoloration of fabrics resulting from exposure to the elements, chemicals, oils, fluids or any other cause are not covered.

To make a claim, call the toll-free number below. Please have available a copy of the original sales receipt along with a brief description of the problem. Please also provide your email address and daytime telephone or cell phone #. All items may be charged actual freight costs plus \$15 for handling. Repairs or replacement will be made at the Manufacturer's option.

Sales and use taxes, plus shipping and handling charges are the responsibility of the consumer.

THIS IS THE ENTIRE EXCLUSIVE EXPRESS LIMITED LIABILITY. THE MANUFACTURER NEITHER MAKES NOR IS RESPONSIBLE FOR ANY OTHER WARRANTIES, EITHER EXPRESS OR IMPLIED, INCLUDING THOSE OF RETAILING DEALERS. THIS EXCLUSIVE REMEDY IS LIMITED TO RECEIPT OF A CREDIT IN CONNECTION WITH THE REPAIR OR REPLACEMENT OF ANY PRODUCT OR COMPONENT DEEMED TO BE DEFECTIVE UNDER THE TERMS AND CONDITIONS AS STATED IN THIS WARRANTY. NEITHER HANOVER PRODUCTS, THE PRODUCT MANUFACTURER NOR ITS AGENTS SHALL BE LIABLE IN ANY CASE FOR INCIDENTAL, INDIRECT, SPECIAL OR CONSEQUENTIAL DAMAGES RESULTING FROM THE USE OF THIS PRODUCT OR ARISING OUT OF ANY BREACH OF THIS WARRANTY OR NEGLIGENCE EVEN IF IT HAS BEEN ADVISED OF THE POSSIBILITY OF SUCH DAMAGES. EXCEPT AS OTHERWISE MAY BE REQUIRED BY LAW, THERE ARE NO OTHER EXPRESS OR IMPLIED WARRANTIES OTHER THAN THE WARRANTY DESCRIBED HEREIN, AND ALL OTHER WARRANTIES, INCLUDING ANY IMPLIED WARRANTY OF MERCHANTABILITY OR FITNESS FOR A PARTICULAR PURPOSE ARE EXPRESSLY DISCLAIMED.

Contact Warranty Services at

1-877-397-5144

Or

contactus@hanover-products.com