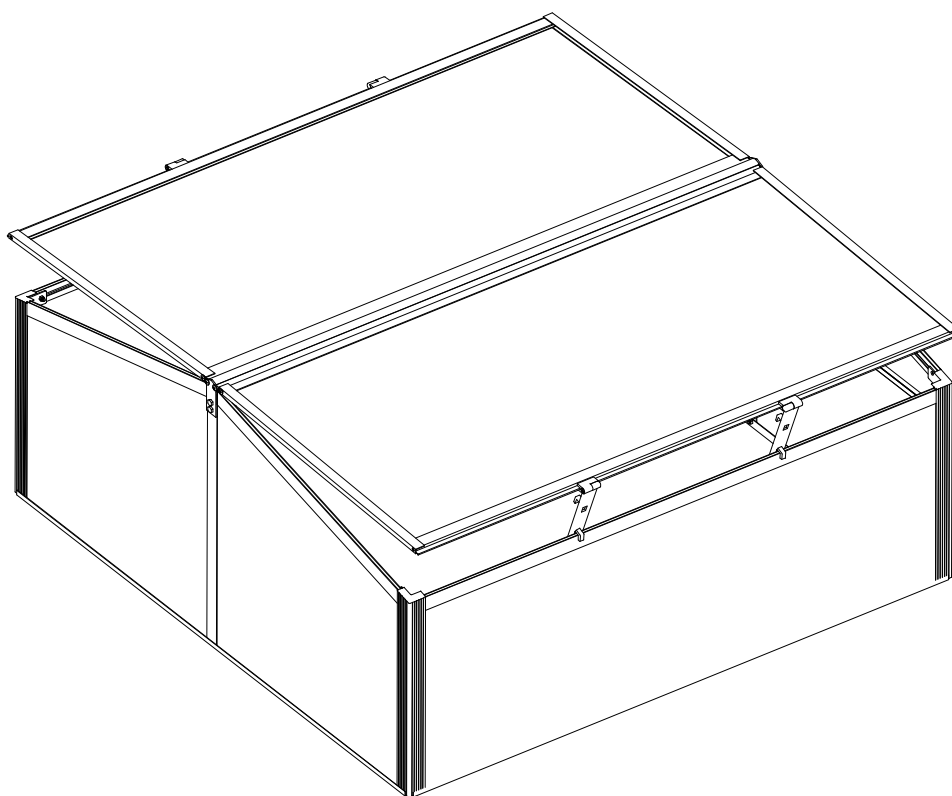


Cold Frame

Assembly Instruction

Overall Size/CM: L100 x W100 x H48

Overall Size/inch: L39"x W39"x H18.8"



9820111

IMPORTANT

You must read these instructions carefully before you start to assemble it.

Please ensure that you find all parts in the correct type and quantity as mentioned in the list.

Please carry out the steps according to the instructions.

Do not tighten the steps until completing on the assembly of the whole product.

Keep the instruction manuals in a safe place for future reference.



IMPORTANT

If you have any problems with this product, please

DO NOT RETURN THIS ITEM

To the Retailer/Store from where you purchased the product.

Please email us anytime with the nature of the problem at:

ContactUs@Hanover-Products.com

Please include:

- Pictures of the issue(s) and receipt (if available)
- Name and address of the Purchaser
- Name of retailer

Or call our Customer Service team between 9:00 AM and 5:00 PM Eastern Time,
Monday through Friday at:

1-877-397-5144

or visit our website at:

www.Hanover-Products.com

To expedite any future warranty claims, please retain your receipt for future use.

For additional on-line support on assembly, troubleshooting and care & maintenance of your outdoor product, please visit our website at: **www.Hanover-Products.com**.

8/1/2019

BEFORE YOU START

Owner's Manual

Assembly instructions

Instructions are supplied in this manual and contain all appropriate information for your building model. Review all instructions before you begin. During assembly, follow the step sequence carefully for correct results. Please be aware:

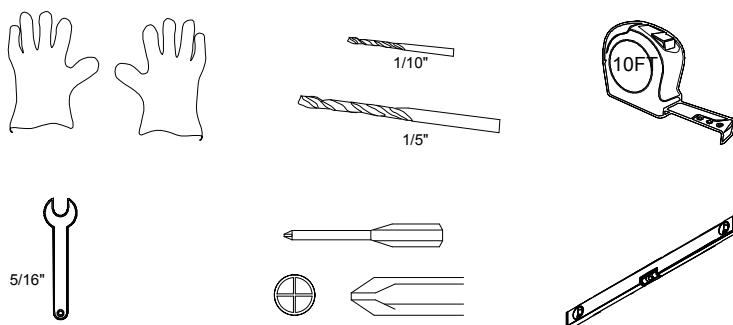
Parts

Check to be sure that you have all the necessary parts for the building construction. These are packaged within the carton. Note that extra fasteners have been supplied for your convenience.

Separate contents of the carton by the part number while reviewing parts list.

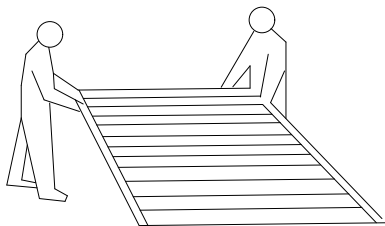
Familiarize yourself with the hardware and fasteners for easier use during

TOOLS MAY REQUIRED



Use heavy duty gloves when handling steel sheets and flashing

PLAN AHEAD



Watch the weather:


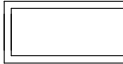
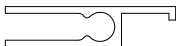


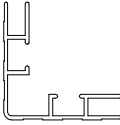

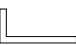
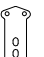

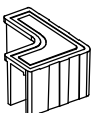
Please be sure the day you select for installation is dry and calm.



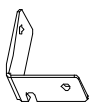
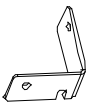
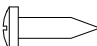
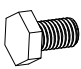
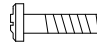

DO NOT attempt to assemble your shed in windy weather because of risk of damage to panels, or personal injury. Be careful of wet or muddy ground.

Teamwork:

Whenever possible, two or more people should work together to assemble the building. One person can position parts or panels while the other is able to handle the fasteners and the tools.

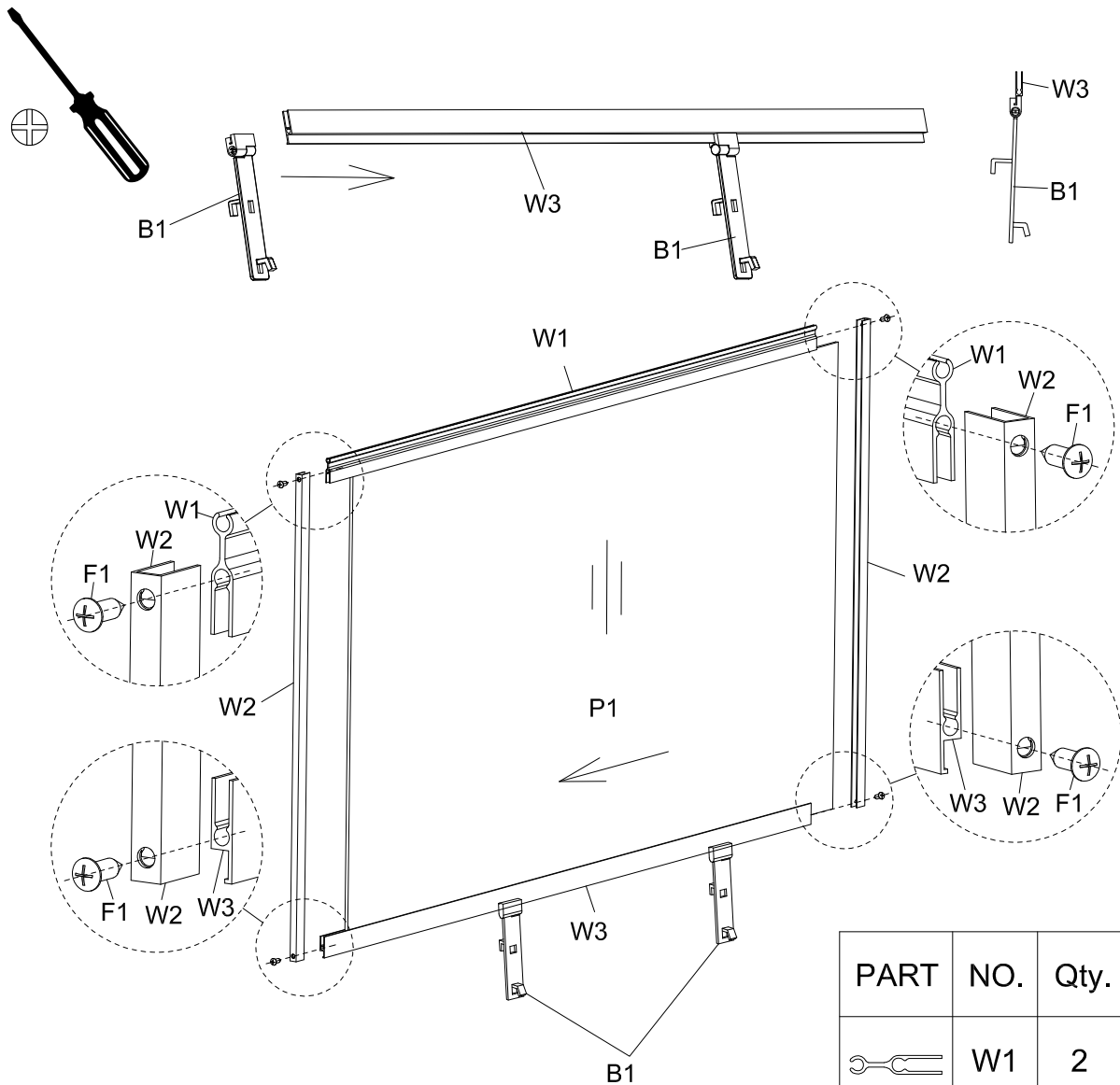
PARTS LIST

PART	NO.	Qty.
	W1	2
	W2	4
	W3	2
	1	2
	2	2
	4	2
	5	2
	10L	2
	10R	2
	6	4
	7	1
	8	2
	S2	2
	S6L	2
	S6R	2

PART	NO.	Qty.
	B1	4
	B2	2
	B3	2
	B4	2
	F1	8
	F2	34
	F3	4
	F4	4

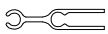




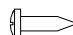
PC	P1	2
	P2	2
	P3R	2
	P3L	2

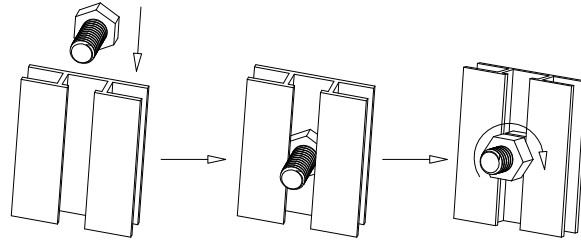
SUMMARY STATEMENT FOR INSTALLATION



WINDOW ASSEMBLY

1. Window Brackets Installation
Insert the two brackets into the profiles W3.
2. PC Panels of window installation
Insert the panels into the profiles W1 & W2.
3. Window Frame Assembly
Connect profiles W2 together with W1 & W3, and tighten the screws F1.

PART	NO.	Qty.
	W1	2
	W2	4
	W3	2
	P1	2
	B1	4
	F1	8

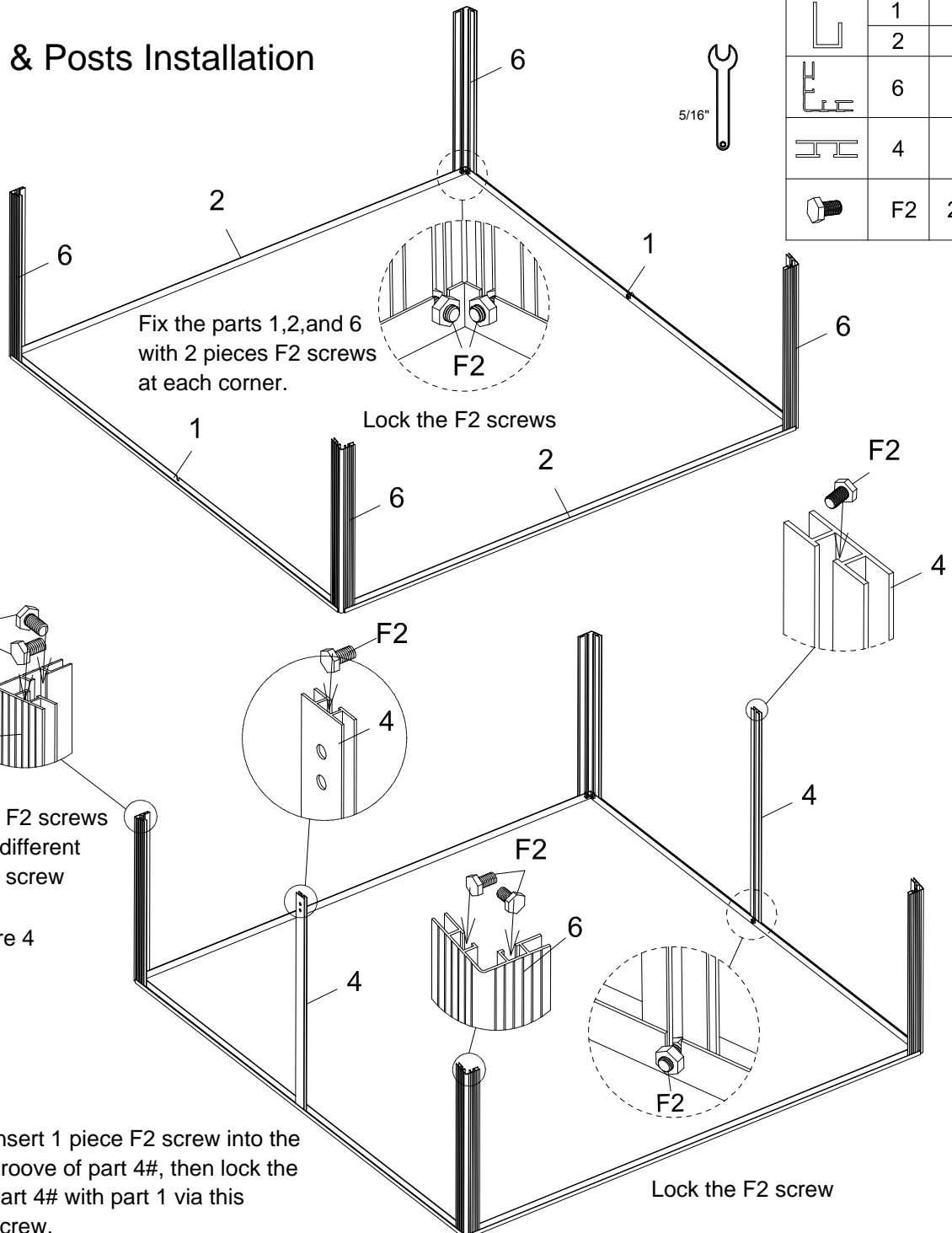


"hexagonal screw" installation

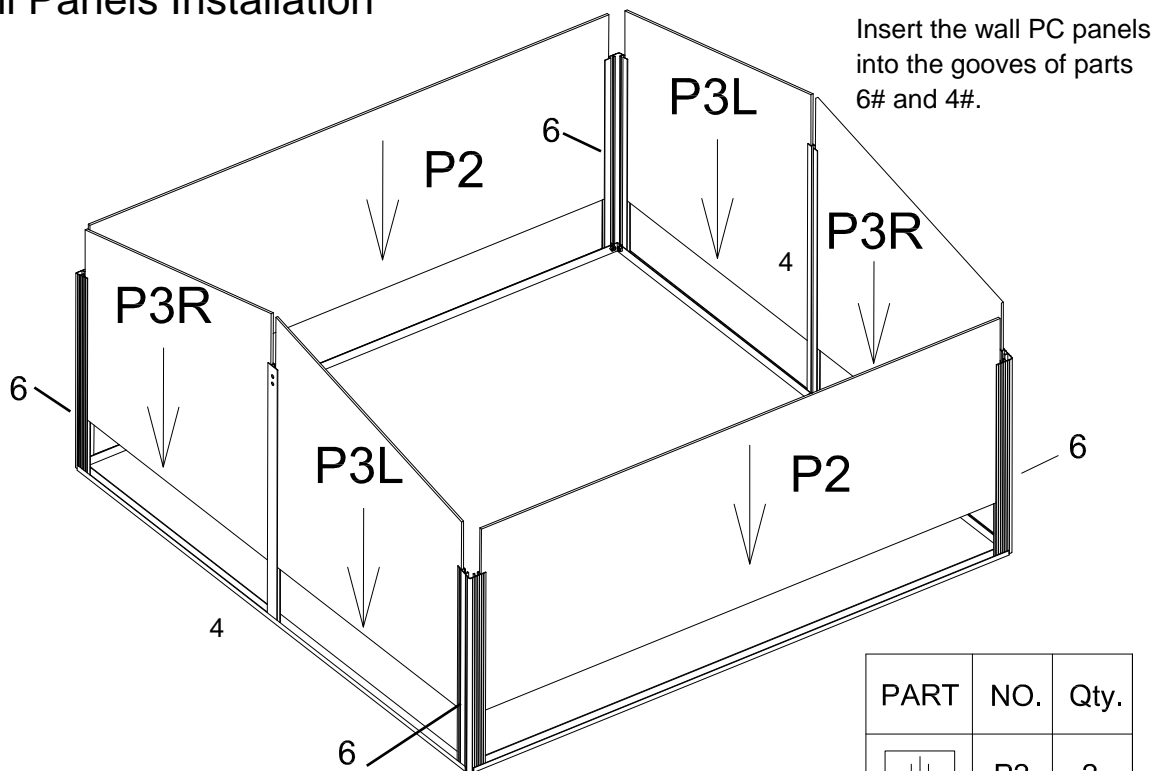
Place the "hexagonal screw" into the groove, turn clockwise until it stops turning. Adjust the "hexagonal screw" by hand and twist so threads fix it in place. Place other parts on "hexagonal screw" and assemble nut.

PART	NO.	Qty.
	1	2
	2	2
	6	4
	4	2
	F2	20

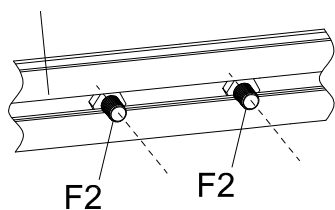
Frame & Posts Installation



Wall Panels Installation

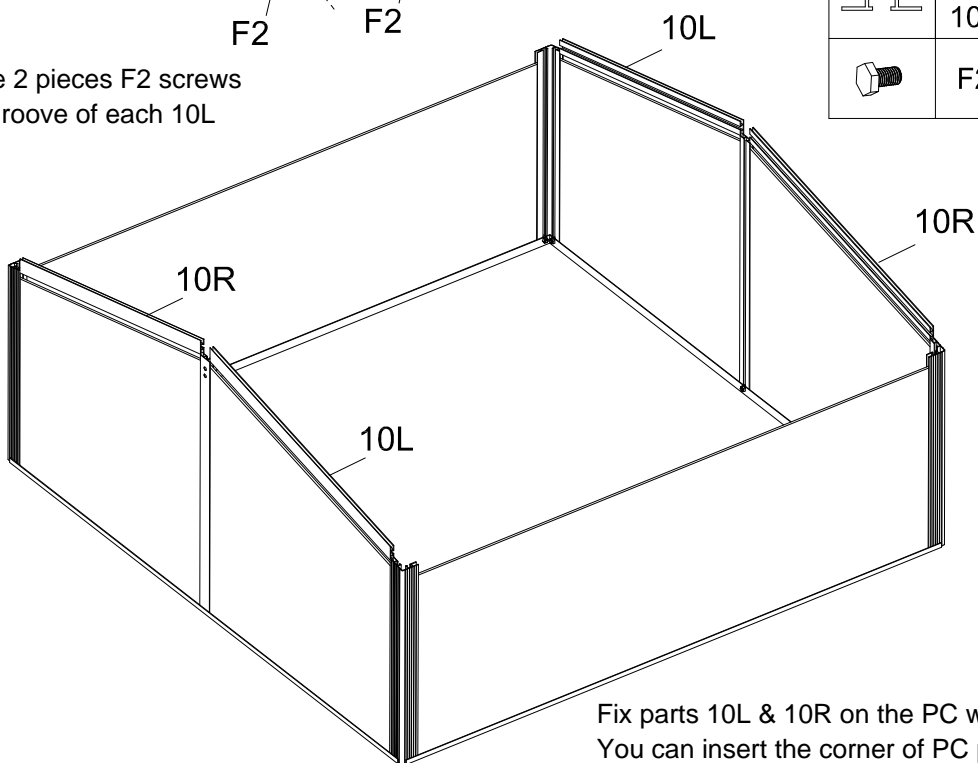


F2(2PCS)/ 10R and 10L



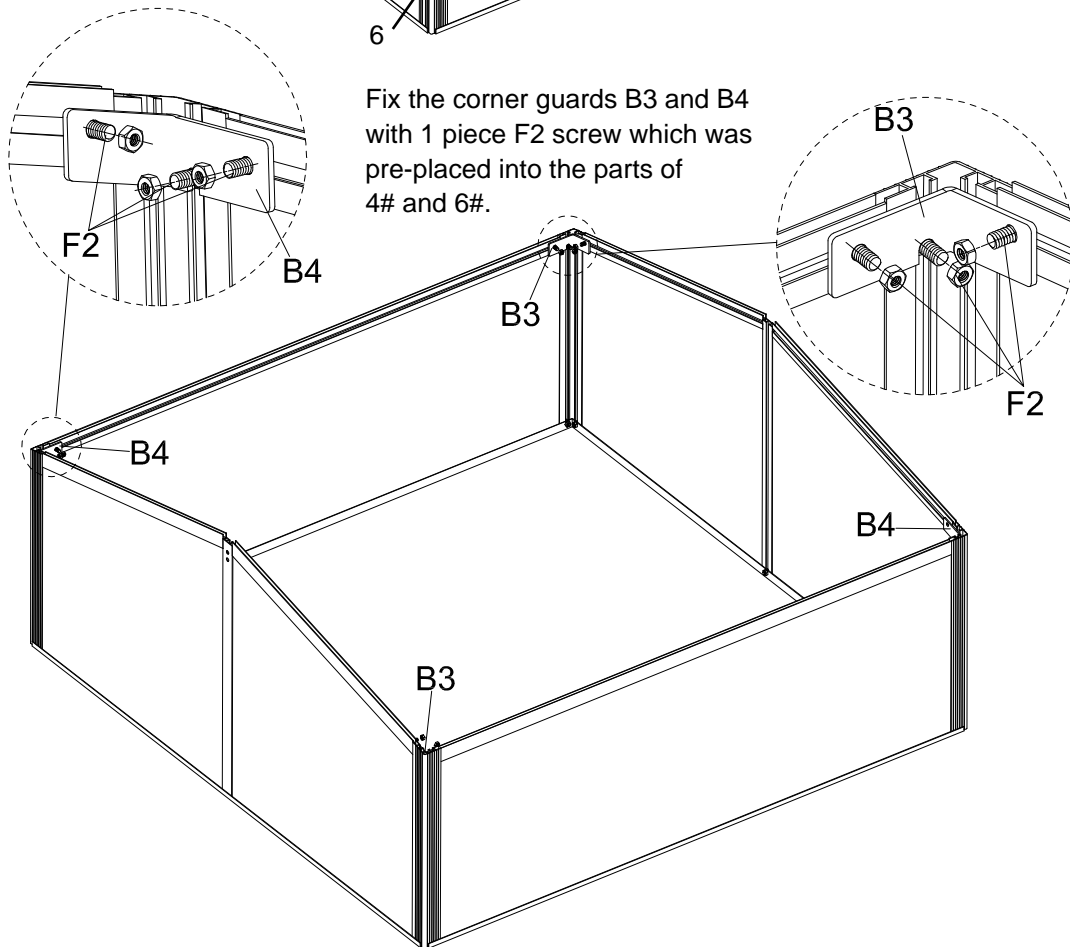
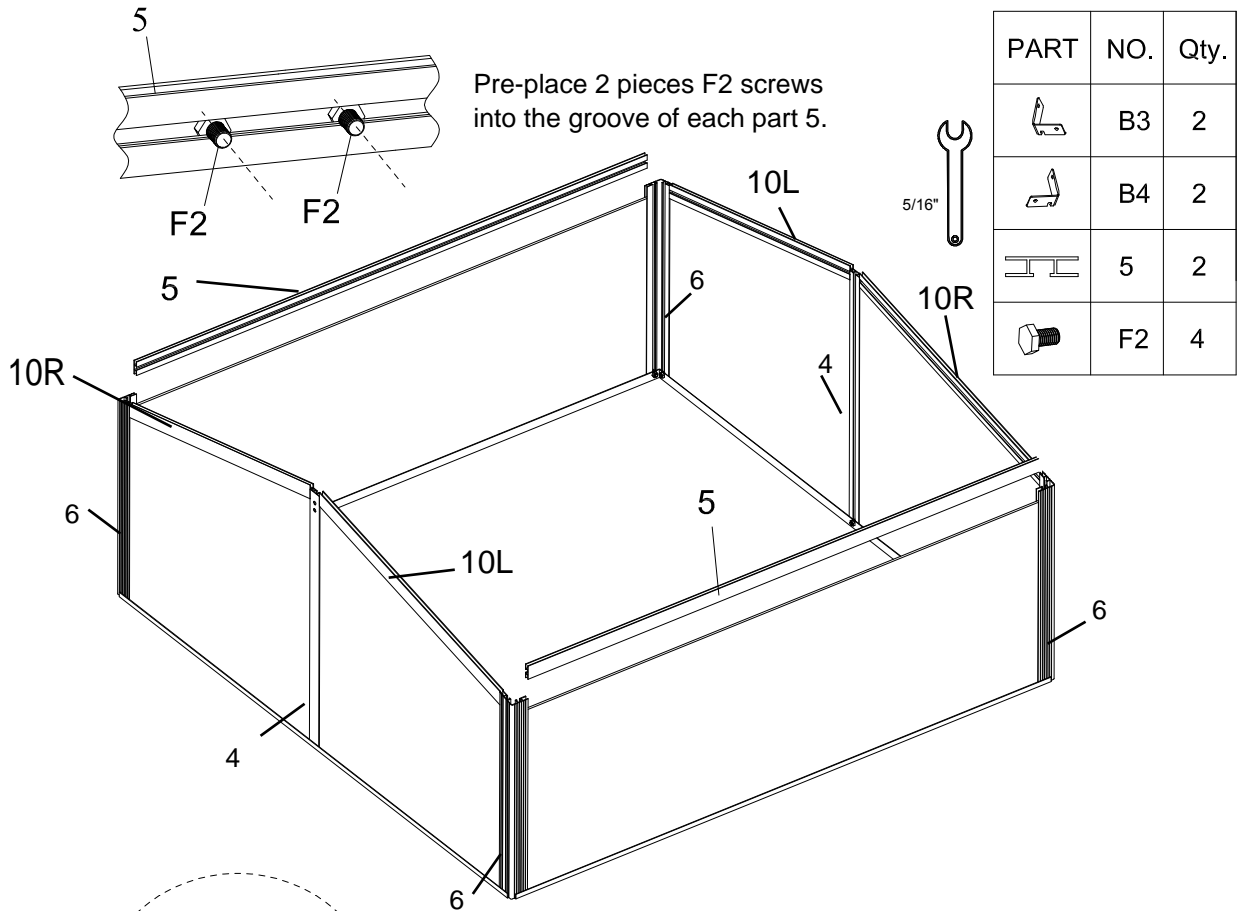
Pre-place 2 pieces F2 screws into the groove of each 10L and 10R.

PART	NO.	Qty.
	P2	2
	P3L	2
	P3R	2
	10L	2
	10R	2
	F2	8



Fix parts 10L & 10R on the PC wall panels. You can insert the corner of PC panels into the groove of 10L & 10R and then slide them along the pc panels.

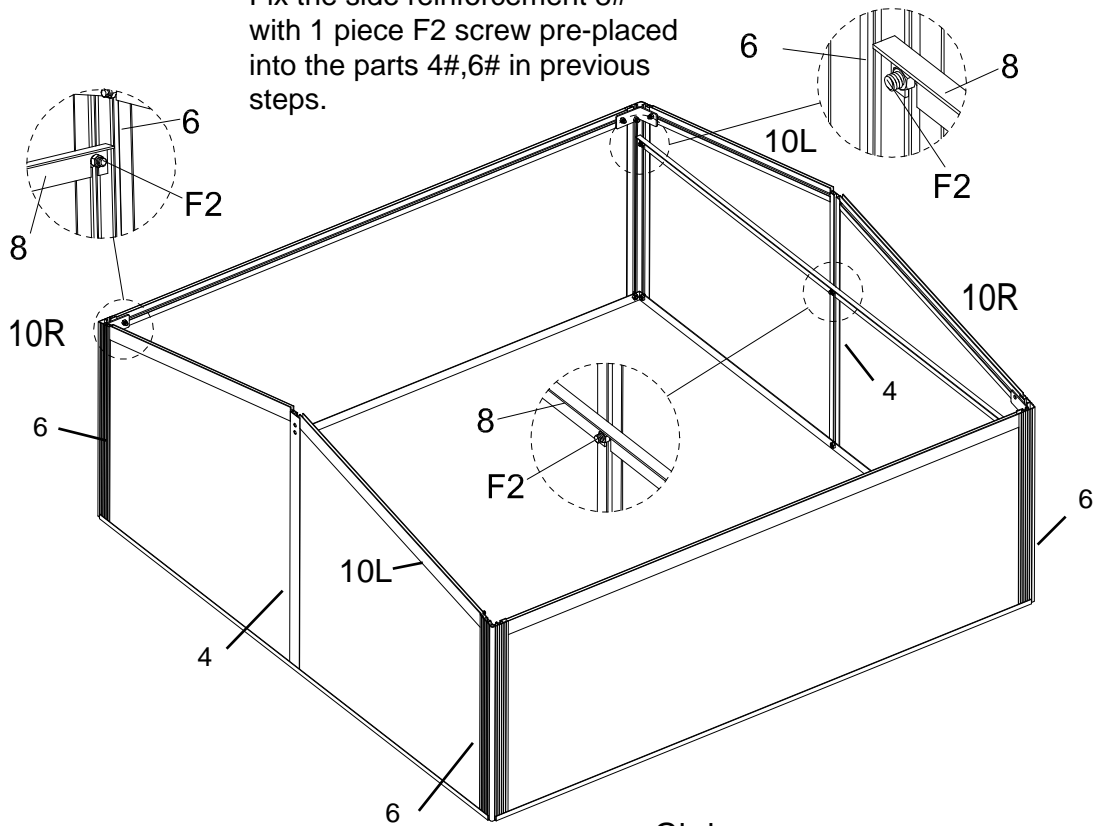
Front & Rear Frame Bars Installation



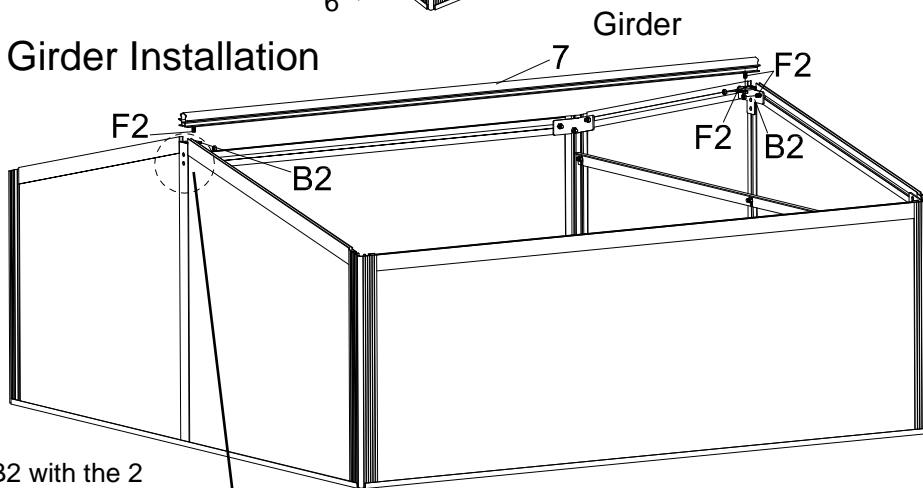
Corner Reinforcement Installation

Side Reinforcement Installation

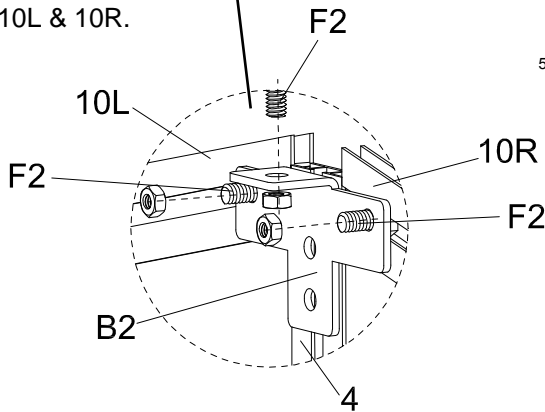
Fix the side reinforcement 8# with 1 piece F2 screw pre-placed into the parts 4#,6# in previous steps.



Girder Installation



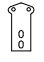




Fix the part B2 with the 2 pieces F2 screws pre-placed into the part 10L & 10R.

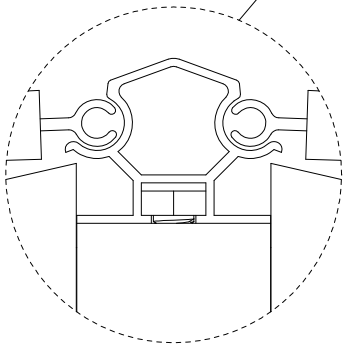
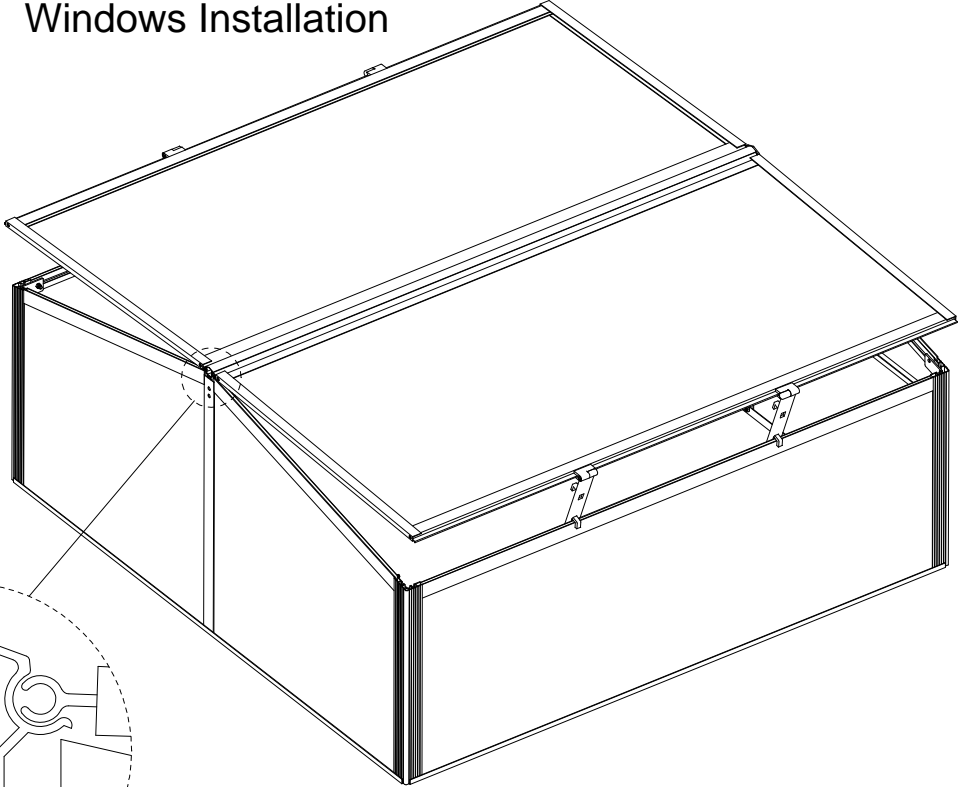


Fix girder 7# with 2 pieces F2 onto B2 at each end.

PART	NO.	Qty.
	8	2
	7	1
	B2	2
	F2	2

Windows Installation

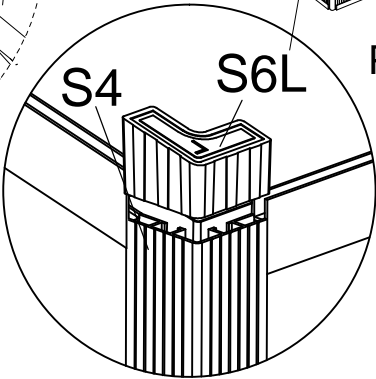
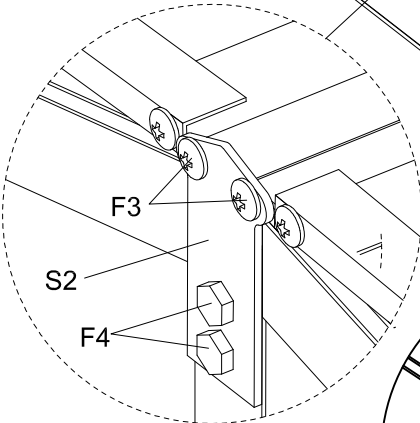
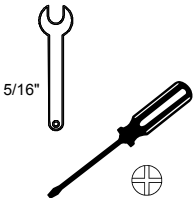
PART	NO.	Qty.
	S2	2
	F3	4
	F4	4
	S6L	2
	S6R	2



S6R

S6R

S6L



Plastic Corner Caps Installation

Install each girder cap S2 with 2 pieces F3 and 2 pieces F4 screw.

Maintenance:

1. Please prevent adding any increased weight to the product.

PC Panel Maintenance:

1. Be careful not to have a sharp object touch the film as it may scratch.
2. Clean films regularly to keep the light transmittance as clear as possible.
3. The boards/panels have flame retardant polycarbonate material applied to them and is recommended to keep away from fire to avoid softening or deformation.

Frame Maintenance:

1. The frames are made of aluminum alloy structure. If white spots or dirt is shown, please wipe with a wet cloth. White spots are normal in a wet/warm environment.

Weather Protection:

1. **WARNING:** If there is lightening, do not stay in or under the product. The frames is conductive, and may cause serious damage.
2. When wind power reaches 40mph or above, you may need to set up defense equipment and fix the greenhouse wall.
3. During snowy months, please remove any snow from greenhouse to avoid any walls or roofs from collapsing.

Outdoor Products

1-Year Limited Warranty Program

For a period of one (1) year after purchase, Hanover ("Manufacturer") will either repair or replace defective components in accordance with this Limited Warranty. This warranty is between Manufacturer and the original purchaser and is valid only when accompanied by the original purchaser's sales receipt showing original date of purchase and location of purchase. Replacements under this warranty revert back to the date of original purchase for future warranty.

Manufacturer or its authorized dealer can accept or reject warranty claims based on its findings. This warranty applies in normal residential use only and is not intended for commercial use. Manufacturer can make substitutions as required of materials, components, and sub-components of comparable value and utility. This warranty is limited to product repair or replacement (to be determined solely by Manufacturer). Warranty return is limited to only the single affected component.

This warranty covers only manufacturing defects and does not cover normal wear and tear, damage due to acts of nature, abuse or misuse, including chemical damage from suntan oil or other chemicals, exposure to extreme heat or cold, abrasion or excessive weight. This product is intended to be used in standard installations only. This warranty is invalid if the product is not used for intended purpose. Manufacturer disclaims liability for any aspect of installation and any inconvenience caused by a defective part of a component.

Certain items are not covered by this warranty. These include, but are not limited to the following:

1. Items subjected to abuse, including abuse intended to simulate failure.
2. Any part which merely exhibits normal wear yet functions essentially as new, including tears/rips, chips, scratches or stretching of materials and stitching.
3. Tears, rips, punctures, scratches or any damage caused by improper installation or use.
4. Fading and/or discoloration of materials resulting from exposure to the elements, chemicals, oils, fluids or any other cause are not covered.

To make a claim, contact us by the email address or the toll-free number below. Please have available a copy of the original sales receipt along with a brief description of the problem. Please also provide your email address and daytime telephone or cell phone #. All items may be charged actual freight costs plus \$15 for handling. Repairs or replacement will be made at the Manufacturer's option. ***Sales and use taxes, plus shipping and handling charges are the responsibility of the consumer.***

THIS IS THE ENTIRE EXCLUSIVE EXPRESS LIMITED LIABILITY. THE MANUFACTURER NEITHER MAKES NOR IS RESPONSIBLE FOR ANY OTHER WARRANTIES, EITHER EXPRESS OR IMPLIED, INCLUDING THOSE OF RETAILING DEALERS. THIS EXCLUSIVE REMEDY IS LIMITED TO RECEIPT OF A CREDIT IN CONNECTION WITH THE REPAIR OR REPLACEMENT OF ANY PRODUCT OR COMPONENT DEEMED TO BE DEFECTIVE UNDER THE TERMS AND CONDITIONS AS STATED IN THIS WARRANTY. NEITHER HANOVER, THE PRODUCT MANUFACTURER NOR ITS AGENTS SHALL BE LIABLE IN ANY CASE FOR INCIDENTAL, INDIRECT, SPECIAL OR CONSEQUENTIAL DAMAGES RESULTING FROM THE USE OF THIS PRODUCT OR ARISING OUT OF ANY BREACH OF THIS WARRANTY OR NEGLIGENCE EVEN IF IT HAS BEEN ADVISED OF THE POSSIBILITY OF SUCH DAMAGES. EXCEPT AS OTHERWISE MAY BE REQUIRED BY LAW, THERE ARE NO OTHER EXPRESS OR IMPLIED WARRANTIES OTHER THAN THE WARRANTY DESCRIBED HEREIN, AND ALL OTHER WARRANTIES, INCLUDING ANY IMPLIED WARRANTY OF MERCHANTABILITY OR FITNESS FOR A PARTICULAR PURPOSE ARE EXPRESSLY DISCLAIMED.

Contact Warranty Services at **1-877-397-5144**

Or email us at:

ContactUs.Hanover-Products.com

or

www.Hanover-Products.com